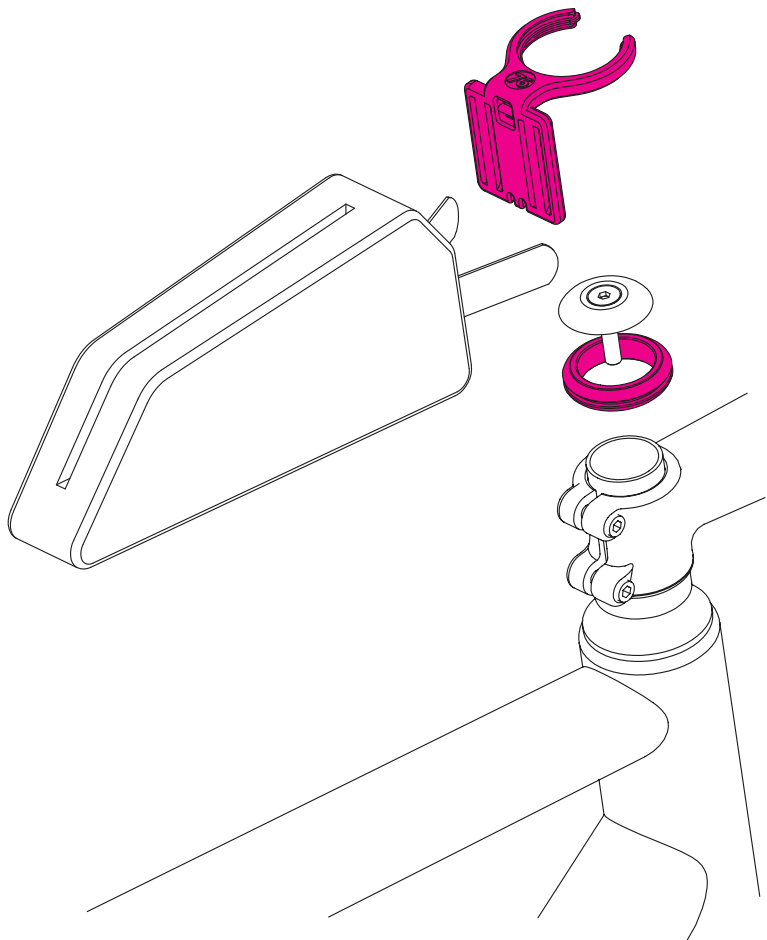


ASS CLIP

ANTI STRAP SYSTEM
FOR TOP TUBE BAGS

76

PROJECTS



A.S.S CLIP (Anti Strap System)

has been designed to increase stability of top tube bags and prevents interference with the stem and steerer.

It provides a quick release function, ideal for keeping contents safe at cafe stops.

Use in conjunction with the **ASS SLIDER** for the full **ASS** experience.

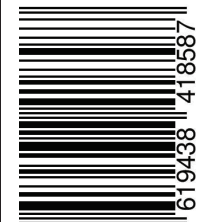
- Increases stability
- Above or below stem with 8mm spacer.
- Quick Release
- Prevents interference with stem
- Works with the bags existing stem strap.

Doesn't work with buckle straps.



DESIGNED & MANUFACTURED IN THE UK.

76PROJECTS.COM



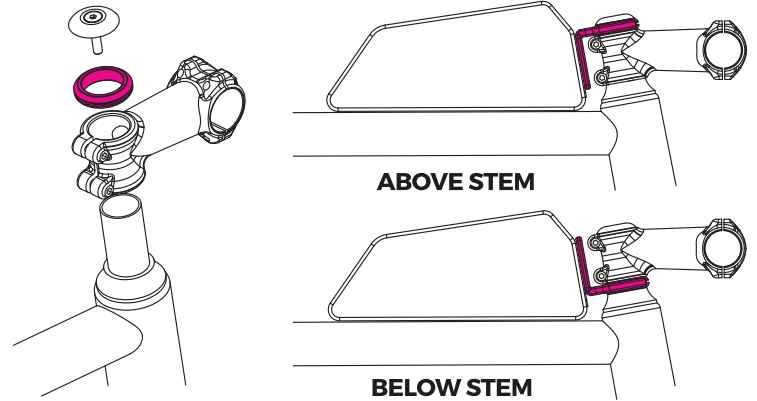
SKU - 0018

STEM SPACER

Fit stem spacer as per your bike manufacturers stem fitting guidelines.

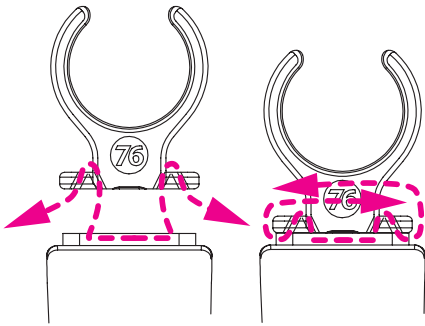
The spacer requires approx 10mm of steerer tube and replaces a standard steerer spacer.

Fit above or below stem to suit your setup.



BAG CLIP

Using the existing straps on your bag. Follow the suggested path to secure the clip.



STEP 1



Pass straps through inner slots and pull tight.

STEP 2



Pass straps back through outer slots.

STEP 3



Fold straps around the sides and overlap.

STEP 4



Stretch O-ring onto peg and cut or tuck straps to desired length.

ATTACH

To attach clip, position centrally over spacer and push down until you hear a click!

Adjust bag height by sliding straps within the clip slots.

Pull back to remove.

