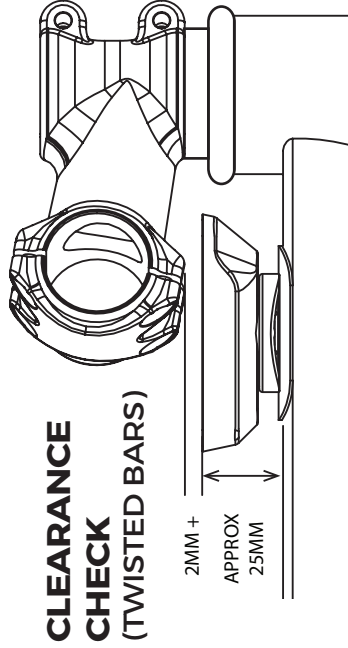


CHECK TWICE, STICK ONCE!

1. Decide on the orientation and position of the mount with the computer device attached.
2. Check for turning clearance of your handlebars and stem.



3. Clean surface with alcohol wipe and allow to dry off.
4. For best results, apply in a warm, dry environment. Lightly heat area using a hairdryer.
5. Mark a centre line on your top tube with a removable pen.
6. Peel off backing film and place into position using a rolling action to prevent trapping air bubbles.
7. Press firmly for 30 secs.

LEAVE TO CURE OVERNIGHT IN A WARM & DRY ENVIRONMENT

TO REMOVE

Heat with a hairdryer and pull/pry off with a soft blunt tool such as a tyre lever. The adhesive pad should remain in one piece and shouldnt be reused.

We recommend you use a computer tether as a back up in case of a crash.

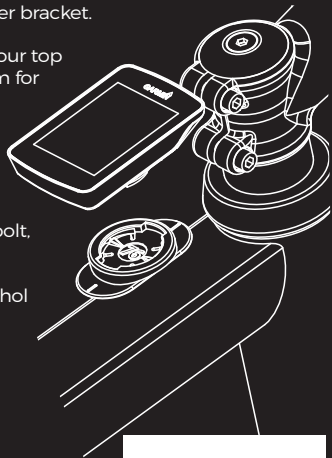
Self adhesive computer bracket.

Designed to fit onto your top tube behind your stem for maximum protection and less distraction.

Recommended for smaller series computers no bigger than Wahoo Elemnt bolt, Garmin 500 series.

Supplied with an alcohol wipe..

3d printed nylon with 3M VHB self adhesive.

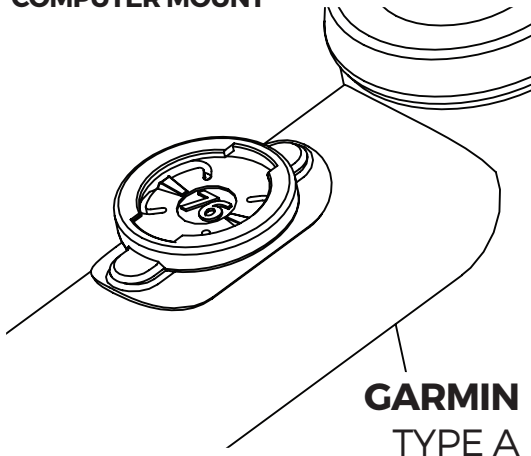


ENDURO MOUNT

**SELF-ADHESIVE
COMPUTER MOUNT**

76

PROJECTS



TYPE A

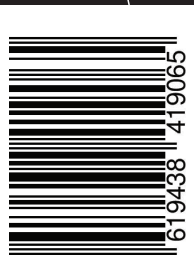


**FOR FLAT &
SLIGHTLY
CURVED**

TYPE B



**FOR
ROUND &
CURVED**



SKU - 1040 G

76PROJECTS.COM

DESIGNED & MANUFACTURED IN THE UK