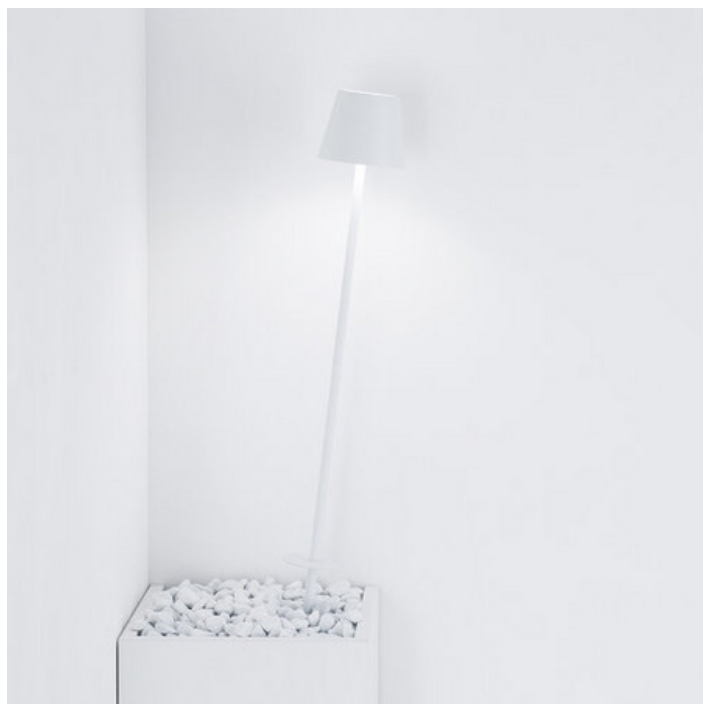
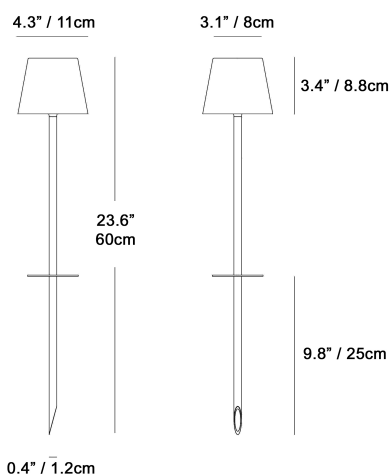


Poldina lamp with peg



- Battery-powered portable LED light
- Timeless design that provides direct illumination
- Peg design enables use in various indoor and outdoor locations
- Die-cast aluminum body with painted finish
- Prismatic polycarbonate diffuser
- Includes USB Type-C cable for charging
- Light lasts approx. 9 hours; charging time approx. 6 hours
- Touch control on/off and dimming
- Advanced electronic control monitors remaining battery life and maintains a constant lumen output
- 234 - 251 - 256 lumens, LED/CRI>80/120 volt/2.2W
- 3 color temperature settings: 2200K / 2700K / 3000K
- IP54 rating protection
- Multi-lamp charging accessories are available separately



LED dimmable IP54

LD0282

	White	B3		Dark grey	N3
	Rust	R3			



Poldina

Lighting specifications

source	LED
type	SMD
total power	2.2W
power LED	2.0W
color temperature	2200K/ 2700K /3000K
lumen lamp	192 - 200 lm
lumen LED	268 - 275 lm
beam angle	100°
CRI	> 80
class	E
dimmer	TOUCH DIMMER
motion sensor	NO

Electrical specifications

voltage	100-240V
frequency	50/60 Hz
input	100-240V
output	5 Vdc max 1A
battery type	2 cell li-ion pack battery mod. 18650 2200 ma/h
approximate battery life (at full power)	9 h.
recharge time	6 H.

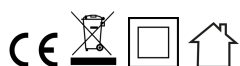
ACCESSORIES

LD0280UA



Replacement charger with USB-c input

1" • 1.6" • 3.1"
•IP20



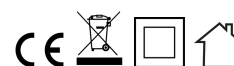
■ black

LD0340RA



8-Port USB Charger

2.4" • 5.3" • 1.8" • 2.2W
•IP20



■ black

zafferano
A M E R I C A