

## Poldina wall w/bracket

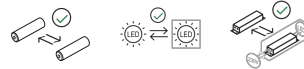
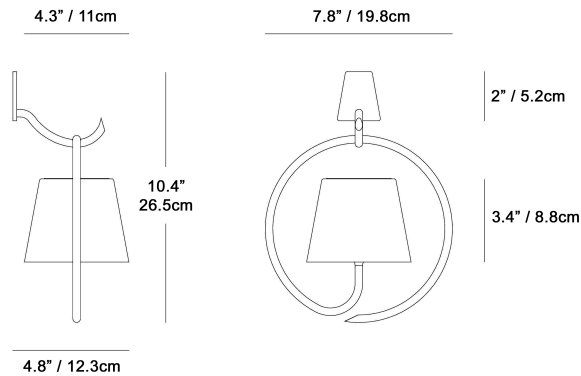


- Battery-powered portable LED wall light
- Wall light suspends from bracket
- Suitable for indoor or outdoor use
- Die-cast painted aluminum body
- Polycarbonate diffuser
- Includes USB Type-C cable for charging
- Light lasts approx. 9 hours; charging time approx. 6 hours
- Touch control on/off and dimming
- Advanced electronic control monitors remaining battery life and maintains a constant lumen output
- 234-251-256 lumens, LED/CRI>80/120 volt/2.2W
- 3 color temperature settings: 2200K / 2700K / 3000K
- IP54 rating protection
- Multi-lamp charging accessories are available separately

LED dimmable IP54

### LD0289

	White	B3		Dark grey	N3
	Rust	R3			



# Poldina

## Lighting specifications

source	LED
type	SMD
total power	2.2W
power LED	2.0W
color temperature	2200K/ 2700K /3000K
lumen lamp	192 - 200 lm
lumen LED	268 - 275 lm
beam angle	100°
CRI	> 80
class	E
dimmer	TOUCH DIMMER
motion sensor	NO

## Electrical specifications

voltage	100-240V
frequency	50/60 Hz
input	100-240V
output	5 Vdc max 1A
battery type	2 cell li-ion pack battery mod. 18650 2200 ma/h
approximate battery life (at full power)	9 h.
recharge time	6 H.

## ACCESSORIES

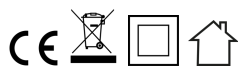
LD0280UA



Replacement charger with USB-c input

1" • 1.6" • 3.1"

•IP20



■ black

LD0340RA



8-Port USB Charger

2.4" • 5.3" • 1.8" • 2.2W

•IP20



■ black

**zafferano**  
**A M E R I C A**