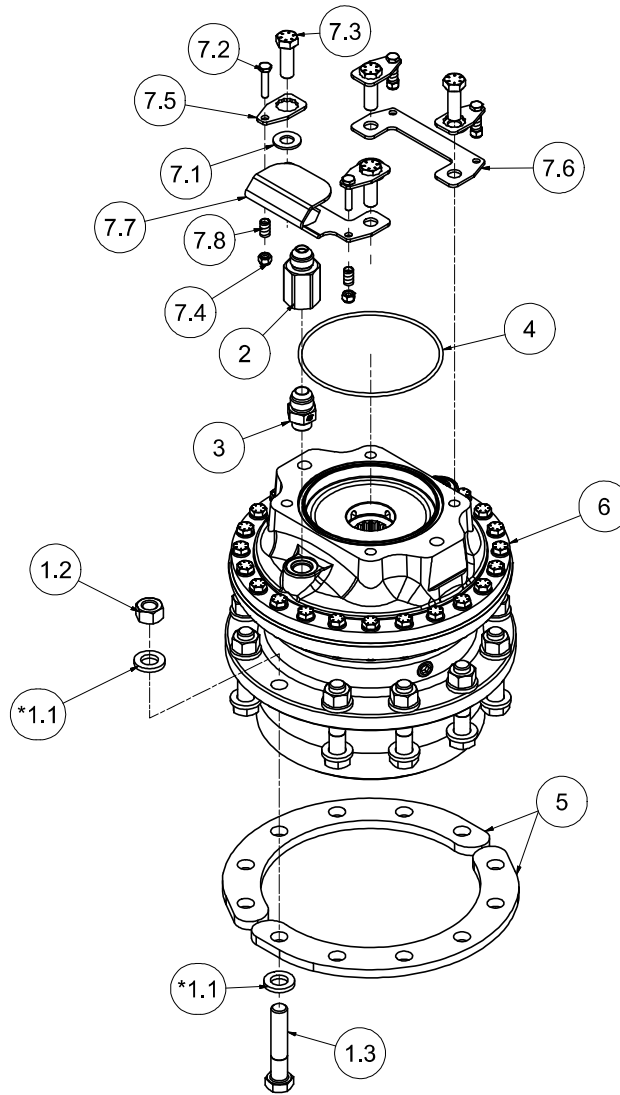


CUTTER ASSEMBLIES

SPINDLE - DECK SUBASSEMBLY



REF#	PARTS DESCRIPTION	REQ	PART#	TORQUE (ft-lbs)
1	BOLT KIT - SPINDLE 1" (DLR) SHELL	1	11-3625	
*1.1	M16 DIN EN 14399 THRU-HARDENED FW, ECOGUARD	24	11-0102	
1.2	5/8-11 GR 8 HEX NUT, ECOGUARD	12	11-1166	
1.3	5/8-11 X 3.25 GR 8 HEX CAP, ECOGUARD	12	11-2232	150
2	RELIEF VALVE, D3 SPINDLE	1	21-1653	
3	5/8MJIC X 1/2MORB	1	21-1706	
4	O-RING, D3 SPINDLE	1	24-0305	
5	LOWER BOLT PLATE, D3	2	31-0893	
6	SPINDLE-D3 DIRECT DRIVE SAE C	1	35-0204	
7	MOTOR HARDWARE LOCK KIT	1	44-0916	
7.1	1/2 X 1.062 GR 8 SAE FLAT WASHER, YELLOW ZINC	4	11-0042	
7.2	1/4-20 X 1-1/4 GR 5 HEX CAP, ZINC	4	11-0702	8.5
7.3	1/2-13 X 1-1/2 GR 8 HEX CAP SCREW, YELLOW ZINC	4	11-0972	90
7.4	1/4-20 GR 5 NYLOCK NUT, ZINC	4	11-1022	
7.5	MOTOR BOLT LOCK TAB	4	31-0503	
7.6	V3LOCK BOTTOM	1	31-0504	
7.7	MOTOR LOCKING BASE WITH PRV PROTECTION	1	31-0824	
7.8	BOLT LOCKING TAB SPRING	4	36-0013	

* NOTE: FLAT SIDE OF WASHERS TOWARDS HARDWARE.
CHAMFER SIDE TOWARDS SPINDLE & DECK.

35-0204-3 | Rev 000