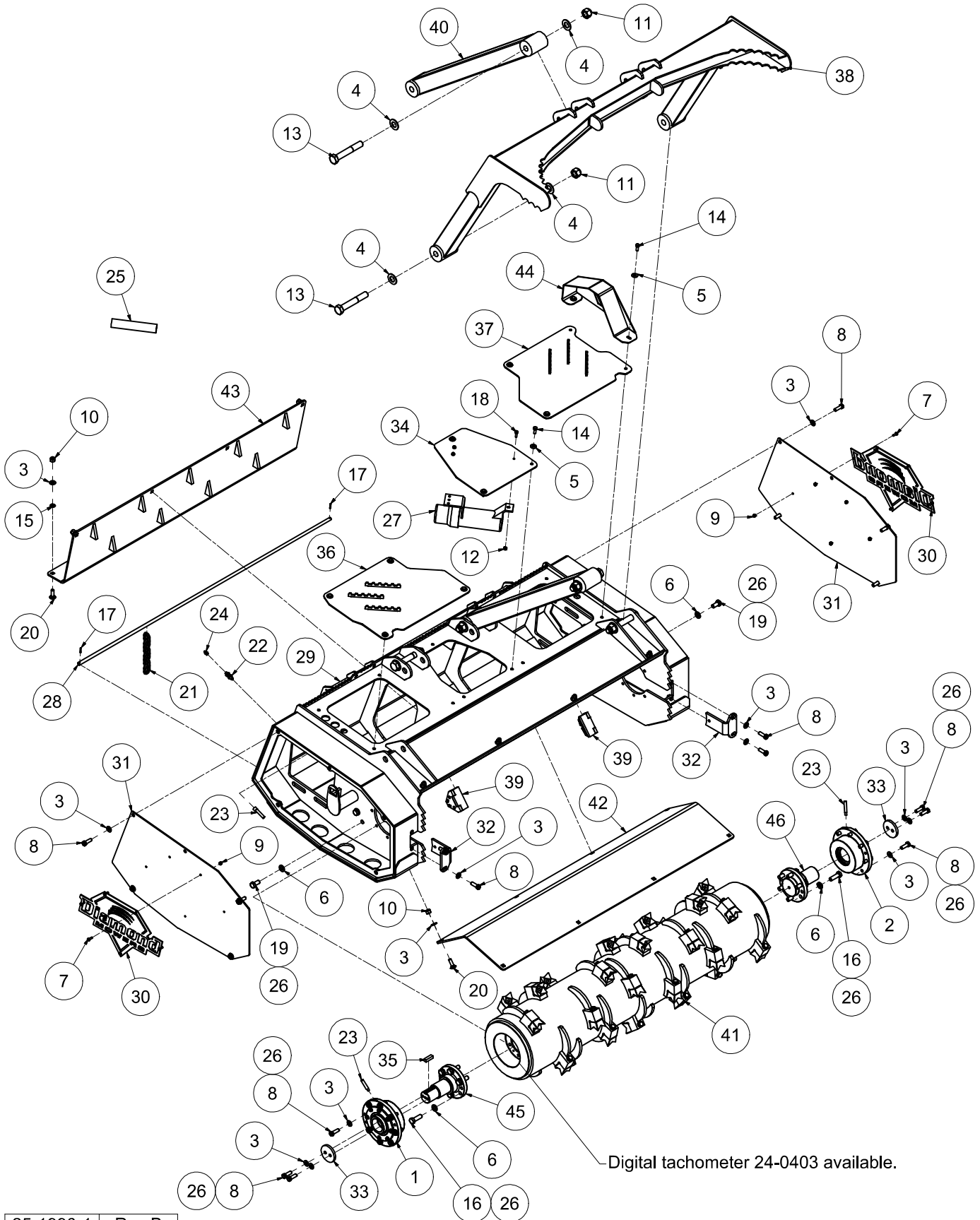


CUTTER ASSEMBLIES

DECK ASSEMBLY



25-1990-1 Rev B

CUTTER ASSEMBLIES

DECK ASSEMBLY

REF#	PARTS DESCRIPTION	REQ	PART#	TORQUE (ft-lbs)
1	BEARING ASSEMBLY, DRUM MULCHER, FIXED (DRIVE)	1	10-1082	
2	BEARING ASSEMBLY, DRUM MULCHER, FLOATING (IDLER)	1	10-1083	
3	1/2 X 1.062 GR 8 SAE FLAT WASHER, YELLOW ZINC	50	11-0042	
4	1 X 2 GR 8 SAE FLAT WASHER, YELLOW ZINC	12	11-0056	
5	3/8 THRU-HARDENED FLAT WASHER, YELLOW ZINC	11	11-0092	
6	M16 DIN EN 14399 THRU-HARDENED FW, ECOGUARD	16	11-0102	
7	1/4-20 X 3/4 GR 5 HEX CAP, ZINC	10	11-0588	8.4
8	1/2-13 X 1-1/2 GR 8 HEX CAP SCREW, YELLOW ZINC	32	11-0972	106
9	1/4-20 GR 5 NYLOCK NUT, ZINC	10	11-1022	
10	1/2-13 GR 8 NYLOCK NUT, ZINC	18	11-1072	
11	1 NC NYLOCK NUT, GR 8	6	11-1082	
12	1/4-20 GR 5 NYLOCK FLANGE NUT, ZINC	3	11-1090	
13	1-8 X 6-1/2 GR 8 HEX CAP, YELLOW ZINC	6	11-1622	909
14	3/8-16 X 1 GR 8 HEX CAP, YELLOW ZINC	11	11-1624	44
15	1/2 PUSH NUT, BOLT RETENTION, ZINC	6	11-1665	
16	5/8-11 X 2 GR 8 HEX CAPSCREW, YELLOW ZINC	12	11-1672	240
17	ROLL PIN, 5/32" X 1"	2	11-2054	
18	1/4-20 X 1 GR 5 HEX FLANGE BOLT, ZINC	3	11-2210	8.5
19	5/8-11 X 1-1/4 GR 8 HEX CAPSCREW	4	11-2268	212
20	1/2-13 X 1-1/2 CARRIAGE BOLT, GR.8	18	11-2282	
21	3/8" CHAIN, ASTM A413 GR30 - 6 LINKS	48	12-0093	
22	BULKHEAD, 1/8 MP X 1/4 MJIC	2	21-1687	
23	GREASE HOSE, 1/8" X 24" (1/8MP X 1/4 FJIC)	2	21-4840	
24	GREASE ZERK 1/8" FEM. NPT	2	23-0008	
25	#2 LITHIUM GREASE	1	23-0015	
26	LOCTITE 262, .017 OZ (RED)	1	24-0382	
27	LARGE MANUAL CANISTER, 12" X 3.25"	1	24-0397	
28	CHAIN RETENTION ROD, ODS060	1	24-0424	
29	ODS060, OPEN DRUM	1	25-0357	
30	DIAMOND LOGO CUTOUT	2	31-0670	
31	BELT COVER, FDS	2	31-0921	
32	SLOT COVER, FDS	2	31-1080	
33	RETENTION PLATE, INNER RING, FDS	2	31-1084	
34	CENTER COVER, FDS060	1	31-1086	
35	KEY 1/2 X 1/2 X 1-3/4	1	37-0022	
36	RIGHT TOP GRIPPER COVER	1	41-1771	
37	LEFT GRIPPER COVER	1	41-1773	
38	PUSH BAR, DRUM MULCHER	1	41-1871	
39	SHEAR, FDS	2	41-1996	
40	PUSH BAR BRACE TUBE, FDS	2	41-1997	
41	WELDMENT, DRUM, ODS060	1	41-1998	
42	UPPER LINER, ODS060	1	41-2001	
43	LOWER LINER, ODS060	1	41-2002	
44	HOSE GUARD, FDS/ODS	1	41-2236	
45	DRUM SHAFT, DRIVE SIDE, GEN II	1	90-7107	
46	DRUM SHAFT, IDLER SIDE, GEN II	1	90-7108	

25-1990-1 Rev B