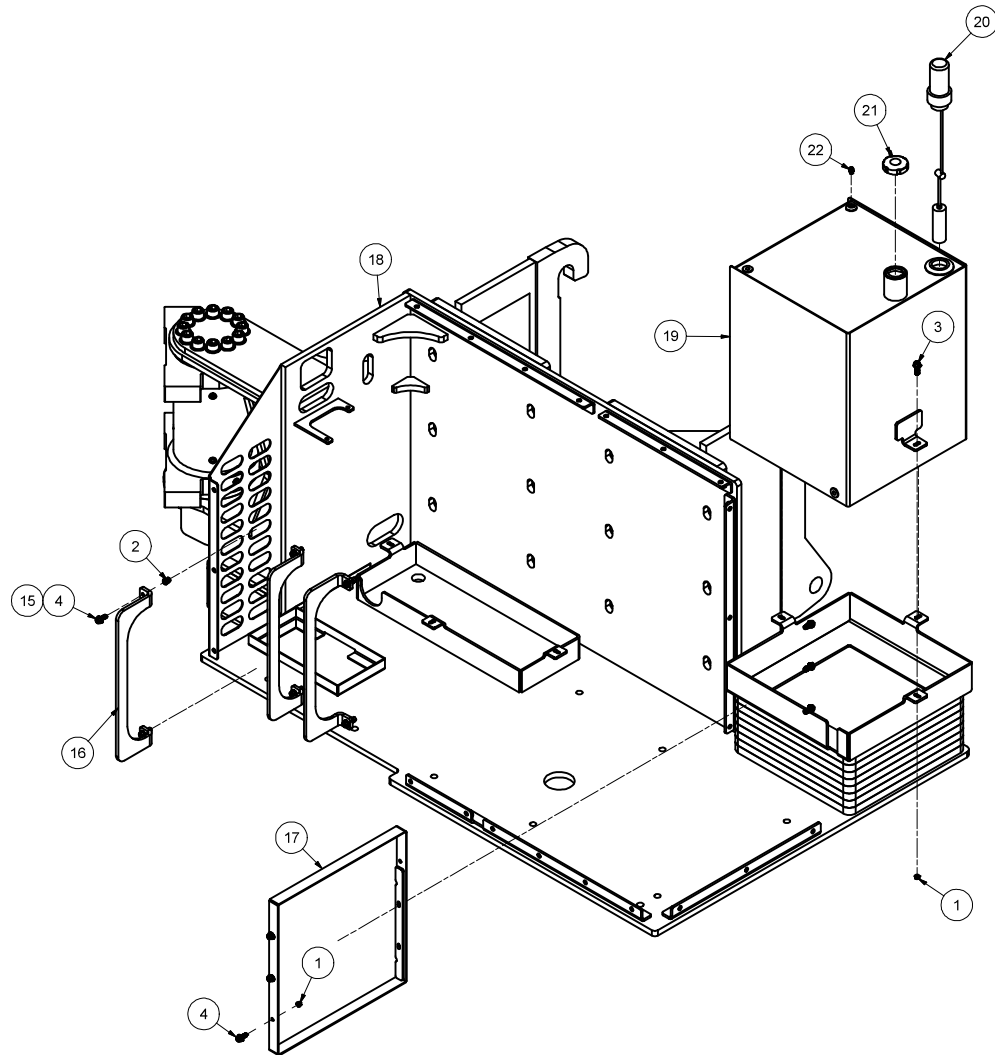


IMPLEMENT ASSEMBLIES

FRAME ASSEMBLY



REF#	PARTS DESCRIPTION	REQ	PART#	TORQUE ft-lbs	TORQUE Nm
1	3/8-16 GR 5 NYLOCK FLANGE NUT, ZINC	9	11-1091		
2	RIVNUT 3/8-16 .027-.15 GRIP	6	11-1648		
3	3/8-16 X 1-1/4 GR 5 HEX FLANGE BOLT, ZINC	3	11-2211	31	42
4	3/8-16 X 1 GR 5 HEX FLANGE BOLT, ZINC	12	11-2219	31	42
*5	SERIAL NUMBER PLATE	1	15-0010		
*6	DECAL, DIAMOND MOWERS LOGO - 9	1	15-0051		
*7	DECAL, DIAMOND MOWERS LOGO - 1	1	15-0053		
*8	DECAL, MADE IN THE USA	1	15-0055		
*9	DECAL, READ MANUAL - MANDATORY ACTION	1	15-0058		
*10	DECAL, DIESEL FUEL ONLY	1	15-0070		
*11	DECAL, WARNING HOT SURFACE	1	15-0113		
*12	DECAL, DIAMOND WARRANTY 1.45 X 5"	1	15-1016		
*13	DECAL, HYDRAULIC OIL ISO AW46	1	15-1060		
*14	GUM RUBBER 1/4" X 2"	5.75	18-0024		
15	LOCTITE 243 BLUE, .5 ML	1	24-0207		
16	LBM COOLER RIB	3	31-0832		
17	WHEEL LOADER COOLER BRKT	1	41-1905		
18	MAIN FRAME-WHEEL LOADER 95K JD3029 W/ ACT	1	41-5500-A		
19	FUEL TANK, TIER 4 WHEEL LOADER	1	47-0115		
20	LBM FUEL SIGHT GAUGE	1	90-8054		
21	FUEL CAP, DIESEL	1	90-8056		
22	BREATHER VENT	1	90-8057		
*23	TRIM SEAL, 1/8 EDGE 7/16 WUDE	7	90-8062		

* NOT SHOWN

45-2508-1 Rev B