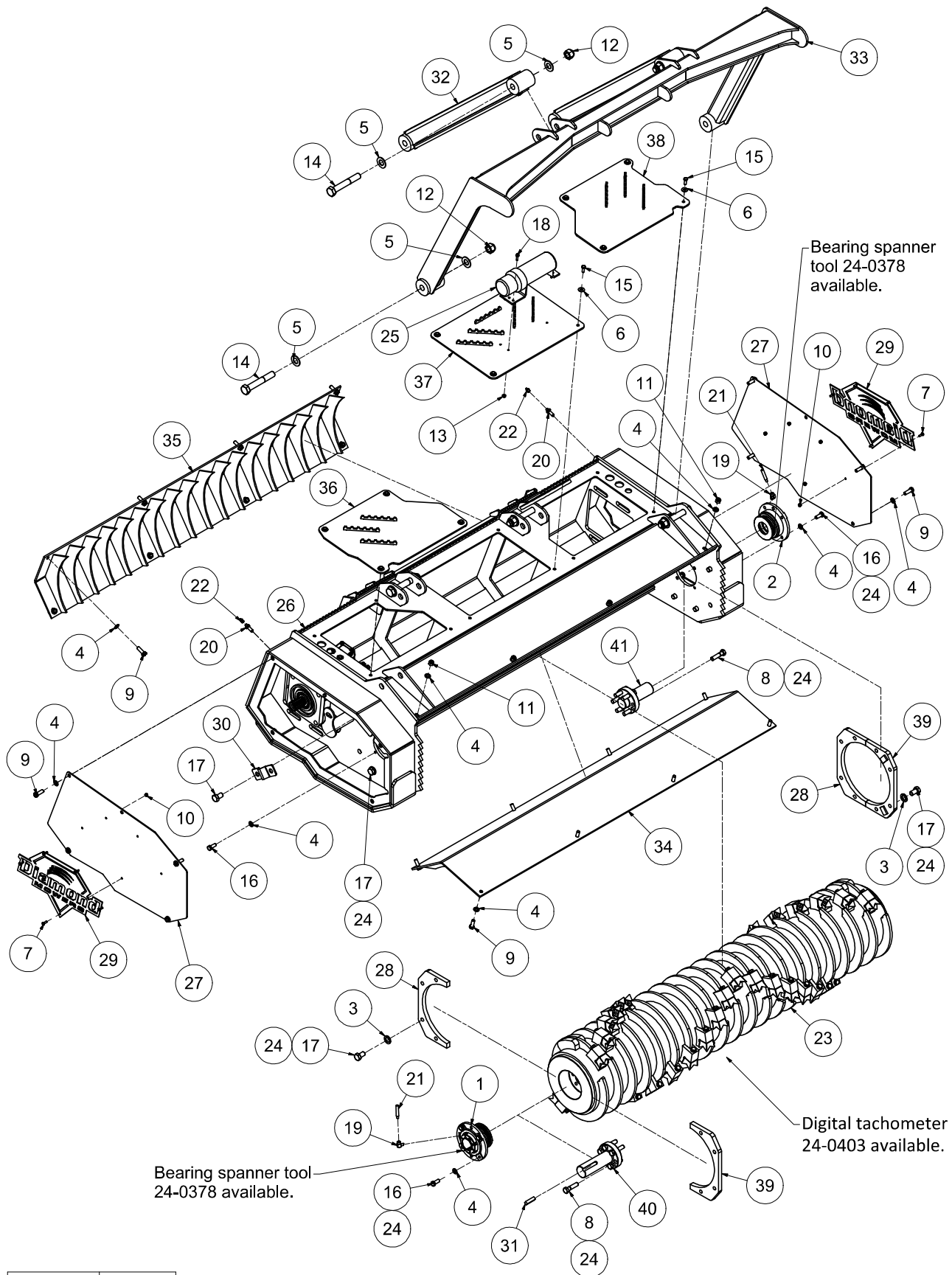


DRUM MULCHER HEAD

DECK ASSEMBLY



25-1736-1 Rev H

DRUM MULCHER HEAD

DECK ASSEMBLY

REF#	PARTS DESCRIPTION	REQ	PART#	TORQUE (ft-lbs)
1	FDS BEARING ASSEMBLY WITH 10-0104, DRIVE SIDE	1	10-1068	
2	FDS BEARING ASSEMBLY WITH 10-0105, NON DRIVE SIDE	1	10-1069	
3	3/4 SAE GR 8 FLAT WASHER, YELLOW	14	11-0039	
4	1/2 X 1.062 GR 8 SAE FLAT WASHER, YELLOW ZINC	44	11-0042	
5	1 SAE FLAT WASHER GR 8	12	11-0056	
6	3/8 THRU-HARDENED FLAT WASHER, YELLOW ZINC	12	11-0092	
7	1/4-20 X 3/4 GR 5 HEX CAP, ZINC	10	11-0588	8.4
8	5/8-11 X 2-1/2 GR 8 HEX CAP, YELLOW ZINC	12	11-0971	212
9	1/2-13 X 1-1/2 GR 8 HEX CAP SCREW, YELLOW ZINC	24	11-0972	106
10	1/4-20 GR 2 NYLOCK NUT, ZINC	10	11-1022	
11	1/2-13 GR 8 NYLOCK NUT, ZINC	12	11-1072	
12	1 NC NYLOCK NUT, GR 8	6	11-1082	
13	1/4-20 GR 5 NYLOCK FLANGE NUT, ZINC	3	11-1090	
14	1-8 X 6-1/2 GR 8 HEX CAP, YELLOW ZINC	6	11-1622	909
15	3/8-16 X 1 GR 8 HEX CAP, YELLOW ZINC	12	11-1624	44
16	1/2-13 X 1-1/4 GR 8 HEX CAP, YELLOW ZINC	8	11-2203	106
17	3/4-10 X 1-1/4 GR 8 HEX CAP, YELLOW ZINC	16	11-2204	376
18	1/4-20 X 1 GR 5 HEX FLANGE BOLT, ZINC	3	11-2210	8.5
19	ELBOW 1/8" X 90	2	21-1104	
20	BULKHEAD, 1/8 MP X 1/4 MJIC	2	21-1687	
21	GREASE HOSE, 1/8" X 24" (1/8MP X 1/4 FJIC)	2	21-4635	
22	GREASE ZERK 1/8" FEM. NPT	2	23-0008	
23	72 DRUM ASSEMBLY, GEN II PATTERN	1	24-0308	
24	LOCTITE 262, .017 OZ (RED)	1	24-0382	
25	LARGE MANUAL CANISTER, 12" X 3.25"	1	24-0397	
26	72" DRUM MULCHER	1	25-0221	
27	BELT COVER, DRUM MULCHER	2	31-0644	
28	ANTI-WRAP BLOCK, DRUM MULCHER	2	31-0659	
29	DIAMOND LOGO CUTOUT	2	31-0670	
30	GREASE LINE BRACKET	1	31-1069	
31	KEY 1/2 X 1/2 X 2	1	37-0026	
32	PUSH BAR BRACE TUBE, DRUM MULCHER	2	41-1600	
33	PUSH BAR, DRUM MULCHER	1	41-1601	
34	UPPER LINER, DRUM MULCHER	1	41-1602	
35	LOWER LINER, SKID DRUM MULCHER	1	41-1603	
36	RIGHT TOP GRIPPER COVER, FDS072	1	41-1771	
37	CENTER GRIPPER COVER, FDS072	1	41-1772	
38	LEFT GRIPPER COVER, FDS072	1	41-1773	
39	FDS ANTI-WRAP, SHEAR PLATE	2	41-1957	
40	DRIVE SHAFT, DRUM MULCHER	1	90-7058	
41	IDLER SHAFT, DRUM MULCHER	1	90-7059	

25-1736-1 | Rev H