

INSTALLATION INSTRUCTIONS

DRUM MULCHER MOTOR SHAFT SEAL REPLACEMENT

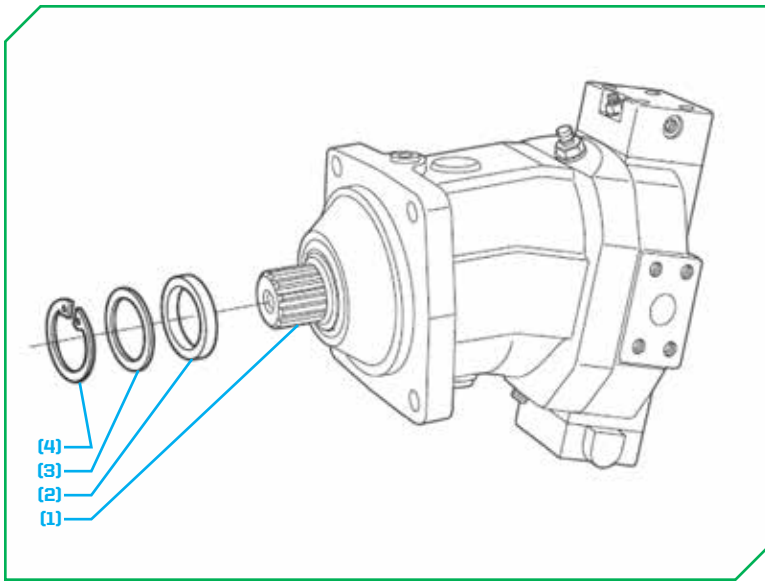
DOC #15-2067

WARRANTY + SERVICE 888.960.0364
PARTS 888.960.0361

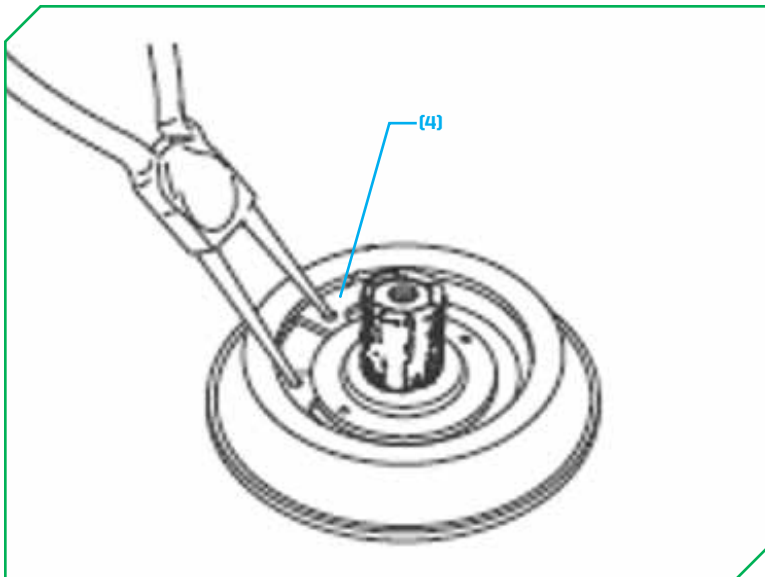


DIAMONDMOWERS.COM

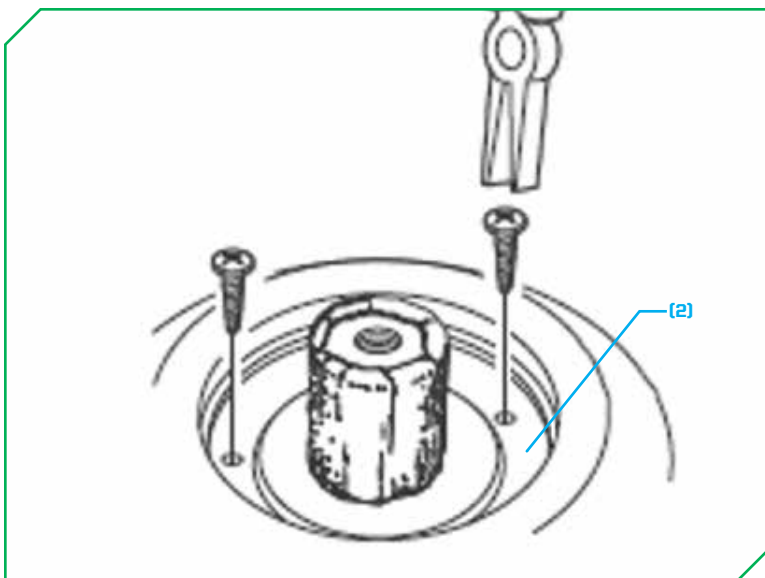
MOTOR SHAFT SEAL REPLACEMENT



- Reference the exploded diagram at left when following the instructions below for replacing the shaft seals on the drum mulcher piston motor.
 - Drive shaft⁽¹⁾
 - Shaft seal⁽²⁾
 - Shim⁽³⁾
 - Snap ring⁽⁴⁾
- Mask the drive shaft⁽¹⁾ to protect from damage to the shaft seal⁽²⁾ or drive shaft⁽¹⁾ when replacing the shaft seal⁽²⁾.
 - Masking can be tape, plastic sheathing, or other thin protective material that shields the drive shaft⁽¹⁾ or shaft seal⁽²⁾ from damage.



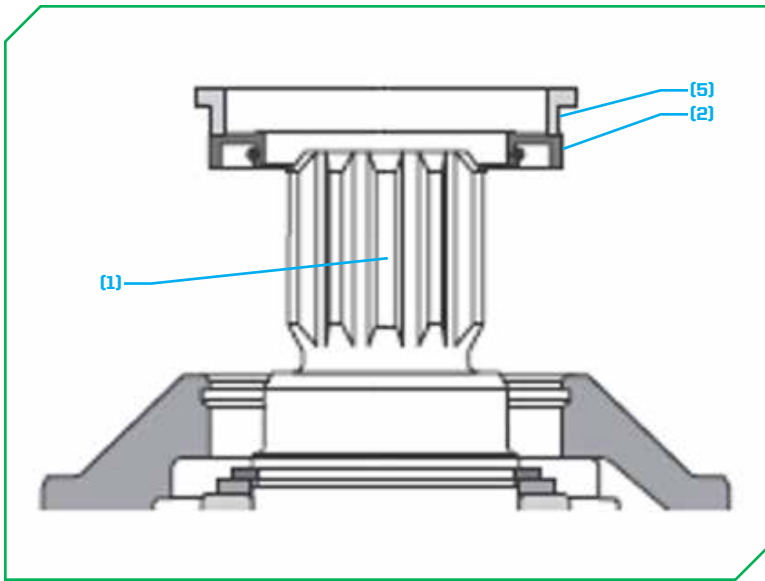
- Remove the snap ring⁽⁴⁾ and the shim⁽³⁾ underneath the snap ring⁽⁴⁾ from the piston motor housing.
 - Thoroughly clean the area under the snap ring⁽⁴⁾ and shim⁽³⁾ to prevent debris from entering the piston motor housing when the shaft seal⁽²⁾ is removed.



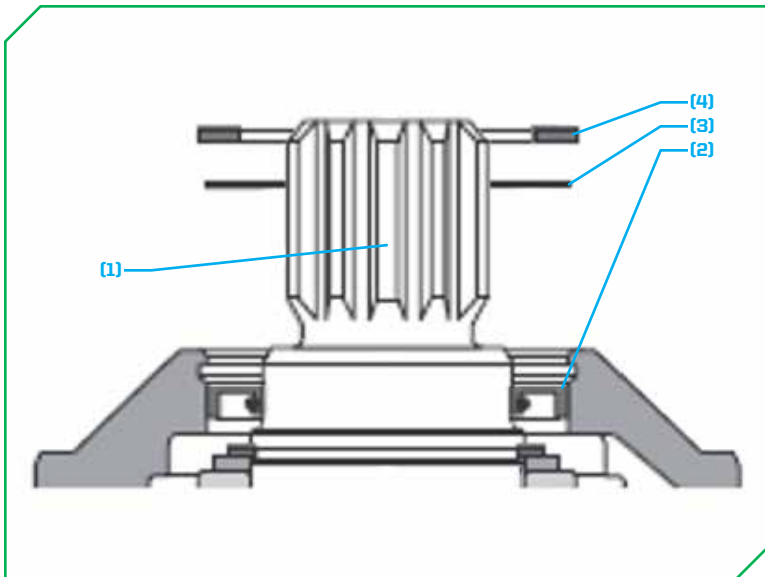
- Screw #8 or #10 self-tapping screws into the rubber lined holes (if present) of the shaft seal⁽²⁾, and use pliers to pull the shaft seal⁽²⁾ out.
 - **NOTE:** Drill pilot holes into the shaft seal⁽²⁾ for the self-tapping screws if needed.
 - **NOTE:** Lift up the shaft seal⁽²⁾ **EVENLY** from the piston motor; discard the old shaft seal⁽²⁾.
 - Use caution; **DO NOT** damage the piston motor housing!

CONTINUED ON NEXT PAGE

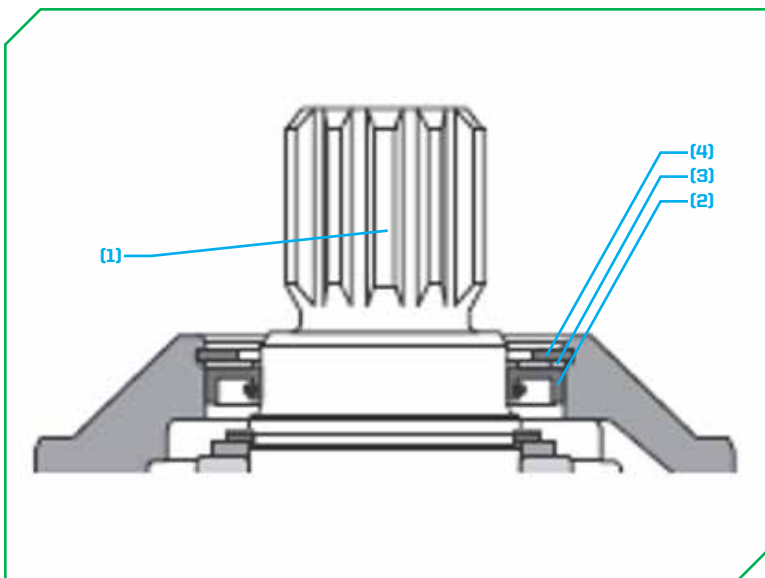
MOTOR SHAFT SEAL REPLACEMENT



- Using the mounting sleeve tool (5), press in the new shaft seal (2) until it is in the stop position (fully seated in the piston motor housing).
 - **NOTE:** Apply hydraulic oil to the new shaft seal (2) before assembly.
 - **NOTE:** Press and seat the new shaft seal (2) **EVENLY** and **GENTLY** into the piston motor housing.
 - Use caution; **DO NOT** damage the piston motor housing!



- Place the shim (3) around the drive shaft (1) and resting on top of the new shaft seal (2).
- Place the snap ring (4) around the drive shaft (1) and lock it into its groove on the piston motor housing, where it should be resting on top of the shim (3).
 - **NOTE:** Confirm the snap ring (4) is **FULLY** seated into its groove in the piston motor housing.



- The new shaft seal (2), shim (3), and snap ring (4) should be fully seated in the piston motor housing as illustrated at left.
- Remove the masking from the drive shaft (1).