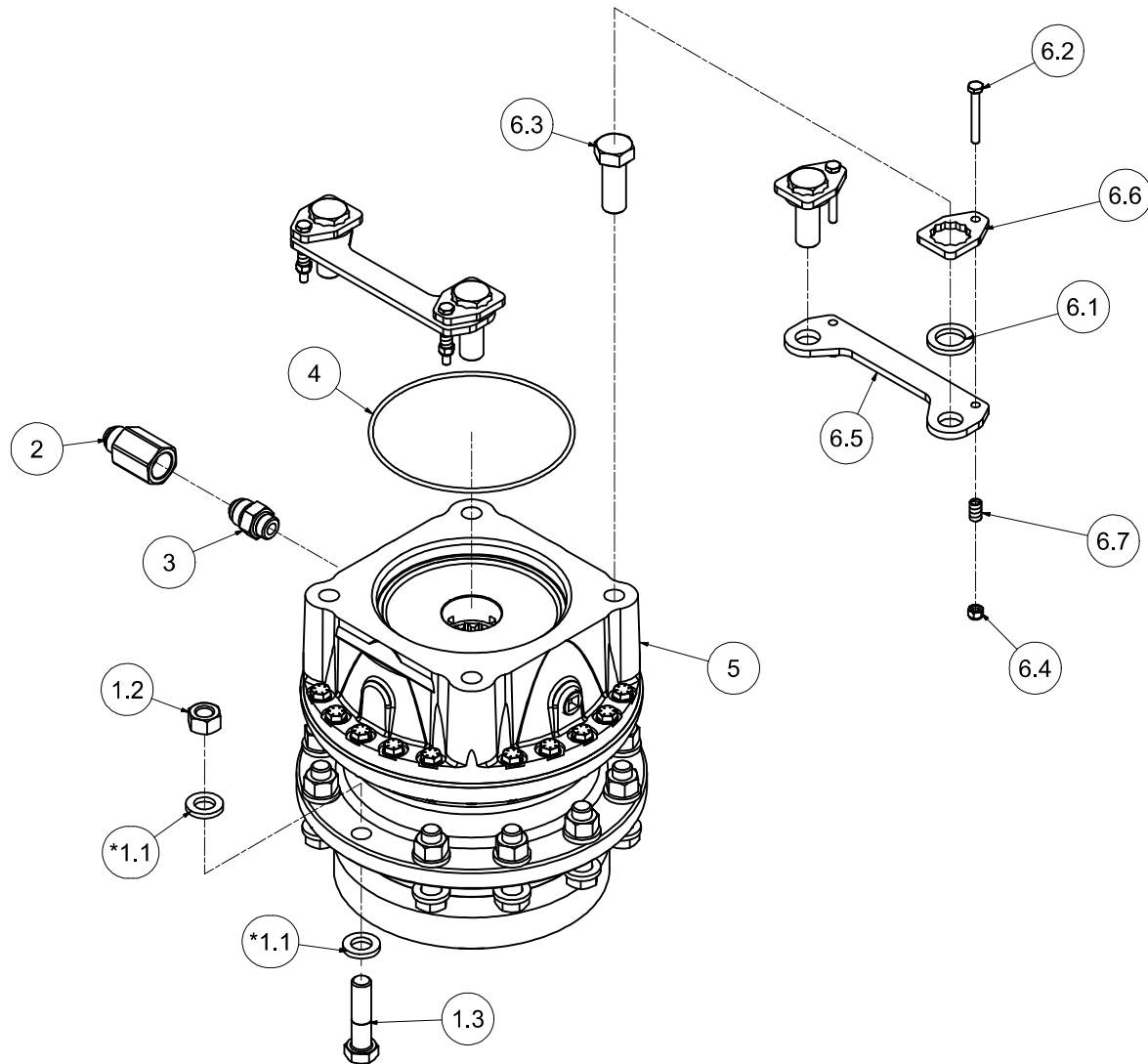


# FORESTRY DISC HEAD

## SPINDLE - DECK SUBASSEMBLY, PISTON MOTOR



REF#	PARTS DESCRIPTION	REQ	PART#	TORQUE (ft-lbs)
1	BOLT KIT - 1/2" SPINDLE (FBS/DBR) SHELL	1	11-3624	
*1.1	M16 DIN EN 14399 THRU-HARDENED FLAT WASHER, ECOGUARD	24	11-0102	
1.2	5/8-11 GR 8 HEX NUT, ECOGUARD	12	11-1166	
1.3	5/8-11 X 2.5 GR 8 HEX CAP, ECOGUARD	12	11-2233	150
2	RELIEF VALVE, D3 SPINDLE	1	21-1653	
3	5/8MJIC X 1/2MORB	1	21-1706	
4	O-RING SAE D	1	33-0098	
5	D3 SPINDLE, DIRECT DRIVE, SAE D HD	1	35-0108	
6	MOTOR LOCKING HARDWARE KIT	1	44-0865	
6.1	3/4 SAE GR 8 FLAT WASHER, YELLOW	4	11-0039	
6.2	1/4-20 X 2 GR 5 HEX CAP, ZINC	4	11-0590	8.5
6.3	3/4-10 X 2 GR 8 HEX CAP, YELLOW ZINC	4	11-0751	220
6.4	1/4-20 GR 5 NYLOCK NUT, ZINC	4	11-1022	
6.5	MOTOR BOLT LOCK BASE, SAE D	2	31-0759	
6.6	MOTOR BOLT LOCK TAB, SAE D	4	31-0760	
6.7	BOLT LOCKING TAB SPRING	4	36-0013	

\* NOTE: FLAT SIDE OF WASHERS TOWARDS HARDWARE.  
CHAMFER SIDE TOWARDS SPINDLE & DECK.

35-0108-1 | Rev 000