

DESCRIPTION

Accumulator Remote Mount Option



PART NUMBER

1110200017

REVISION

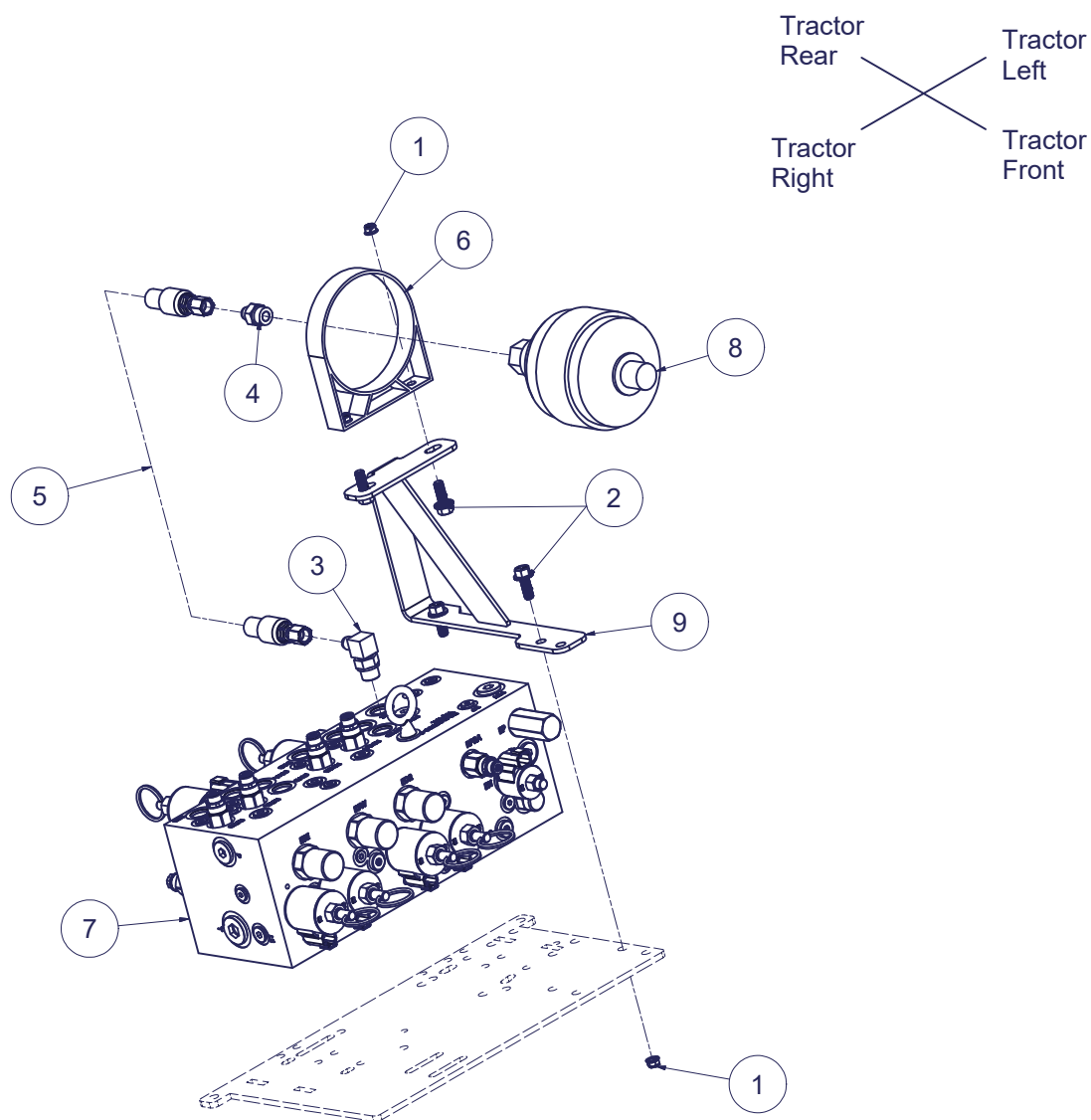
000

DATE

9/1/2022

DRAWN

dspenny



REF#	PARTS DESCRIPTION	REQ	PART#	TORQUE (ft-lbs)
1	3/8-16 GR 5 NYLOCK FLANGE NUT, ZINC	4	11-1091	
2	3/8-16 X 1 GR 5 HEX FLANGE BOLT, ZINC	4	11-2219	31
3	3/8MJIC X 1/2MORB-90DEG	1	21-1403	
4	ADAPTER, 3/8MJIC X 1/2MOR	1	21-1585	
5	HOSE 3/8 X 21 (3/8FJIC X 3/8FJIC)	1	21-4207	
6	MOUNTING BRACKET, ACCUMULATOR	1	24-0438	
7	LIFT MANIFOLD	1	39-0135	
8	ACCUMULATOR	1	39-0139	
9	ACCUMULATOR BRACKET	1	41-2232	

REF.39-0139TP