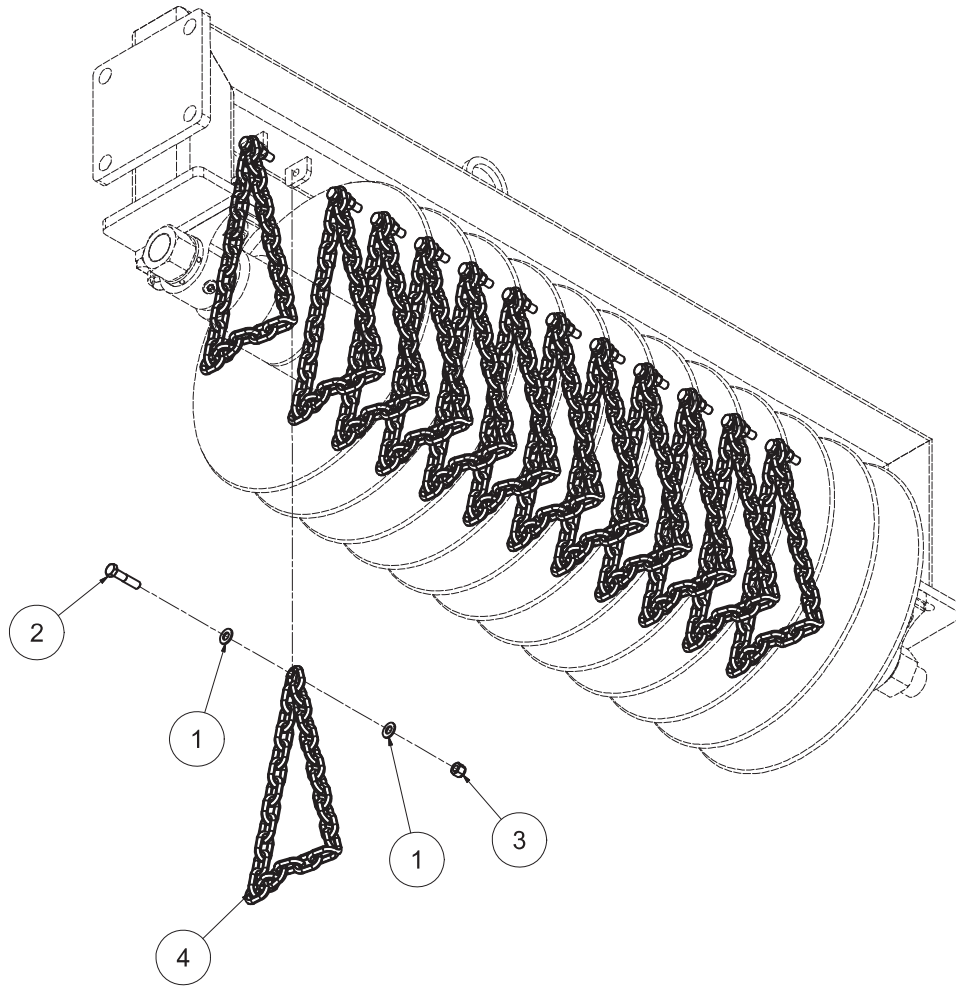


CUTTER ASSEMBLIES

CHAIN ASSEMBLY



REF#	PARTS DESCRIPTION	REQ	PART#	TORQUE (ft-lbs)
1	1/2 X 1.062 GR 8 SAE FLAT WASHER, YELLOW ZINC	26	11-0042	
2	1/2-13 X 2-1/4 GR 8 HEX CAP, YELLOW ZINC	13	11-0805	106
3	1/2-13 GR 8 NYLOCK NUT, ZINC	13	11-1072	
4	3/8" CHAIN, ASTM A413 GR30 - 6 LINKS	13	12-0096	

44-1033 Rev 000