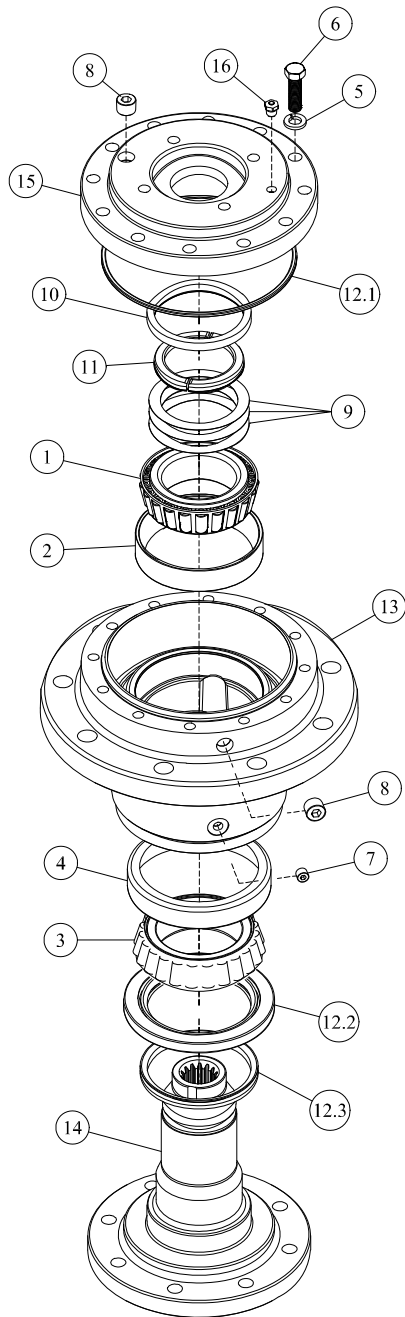


DECK ASSEMBLIES

SPINDLE ASSEMBLY - 35-0212



**Quantity dependent upon desired bearing preload and manufacturing tolerances.

REF#	PARTS DESCRIPTION	REQ	PART #
1	TOP BEARING CONE	1	10-1078
2	TOP BEARING CUP	1	10-1079
3	BOTTOM BEARING CONE	1	10-1080
4	BOTTOM BEARING CUP	1	10-1081
5	7/16 LOCK WASHER, MECHANICAL ZINC	12	11-0003
6	7/16-20 X 1-1/2 GR 8 HEX CAPSCREW, YELLOW ZINC	12	11-2278
7	1/8" NPT SOCKET PLUG	1	19-0014
8	3/8" NPT SOCKET PLUG (MAGNETIC)	2	21-1611
9	SHIM	**	33-0126

REF#	PARTS DESCRIPTION	REQ	PART #
10	LOCK RING	1	33-0129
11	SPLIT RING	1	33-0130
12	SEAL KIT	1	33-0131
12.1	O-RING	1	33-0125
12.2	SHAFT SEAL	1	33-0127
12.3	SEAL V-RING	1	33-0128
13	BASE - 70BL	1	35-0215
14	OUTPUT SHAFT - 70BL	1	35-0216
15	COVER - SAE 'A'	1	35-0217
16	RELIEF VALVE (1-5 PSI)	1	39-2017

Asy: 35-0212 Rev: 000