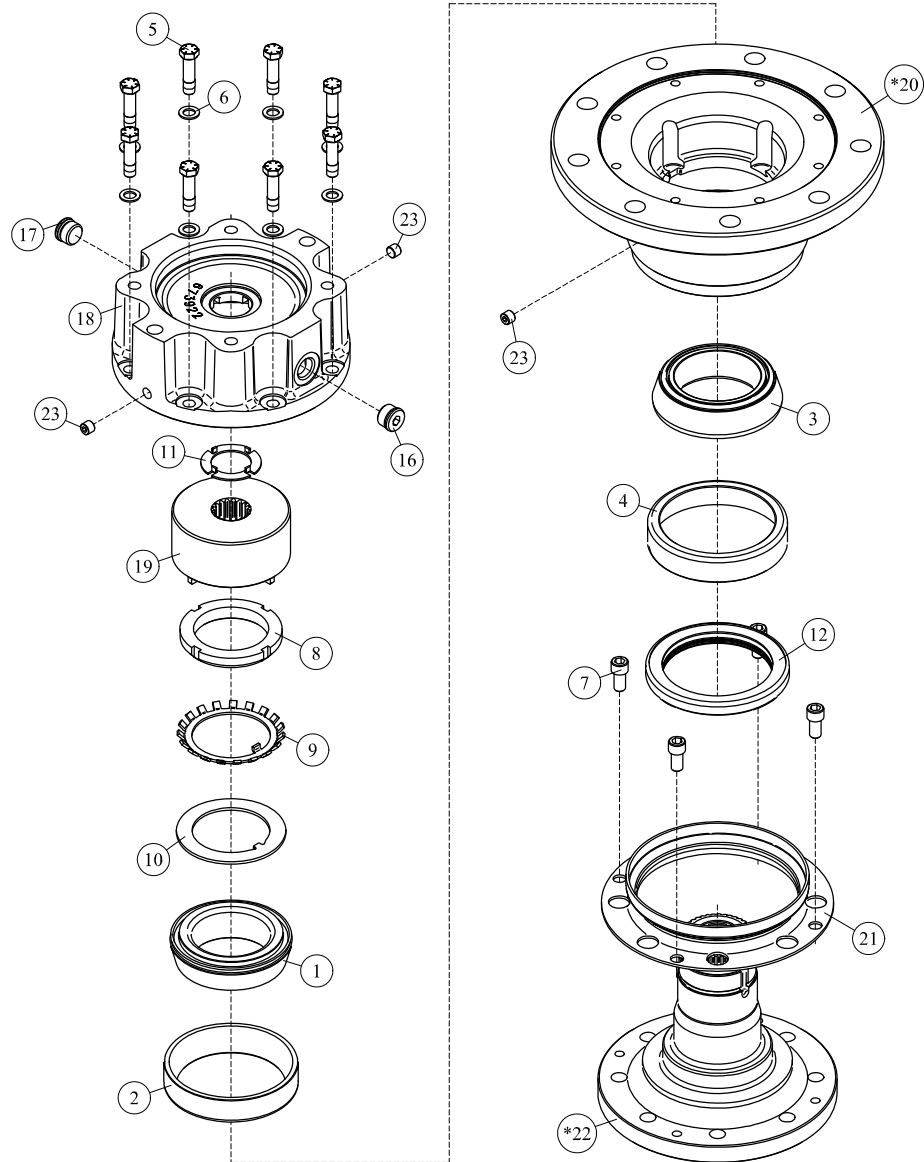


# DECK ASSEMBLIES

## SPINDLE ASSEMBLY - 35-0208



Note: When ordering any items marked \* also order bearing & seal kit 33-0134.

PART #	DESCRIPTION	INCLUDED ITEMS
33-0133	Seal Kit	12
33-0134	Bearing & Seal Kit	1, 2, 3, 4, & 12

Kits also include a tube of sealant 35-0104.

REF#	PARTS DESCRIPTION	REQ	PART #
1	TOP BEARING CONE	1	10-1088
2	TOP BEARING CUP	1	10-1089
3	BOTTOM BEARING CONE	1	10-1090
4	BOTTOM BEARING CUP	1	10-1091
5	HEX CAP	8	11-1611
6	FLAT WASHER	8	11-1612
7	SOCKET HEAD CAPSCREW	4	11-1616
8	LOCK NUT	1	11-1673
9	LOCK WASHER	1	11-1674
10	BOTTOM THRUST WASHER	1	11-1675
11	TOP THRUST WASHER	1	19-0048
12	OIL SEAL	1	33-0132

REF#	PARTS DESCRIPTION	REQ	PART #
13	SEAL KIT	1	33-0133
14	BEARING & SEAL KIT	1	33-0134
15	SEALANT	1	35-0104
16	PORT PLUG-3/4"-16 UNF-2A MAGNETIC	1	35-0200
17	PORT PLUG-3/4"-16 UNF-2A NON-MAG.	1	35-0202
18	COVER	1	35-0219
19	COUPLING	1	35-0220
*20	HUB	1	35-0221
21	GUARD	1	35-0222
*22	OUTPUT SHAFT	1	35-0223
23	PIPE PLUG, D4 SPINDLE	3	35-0224

35-0208 Rev: 000