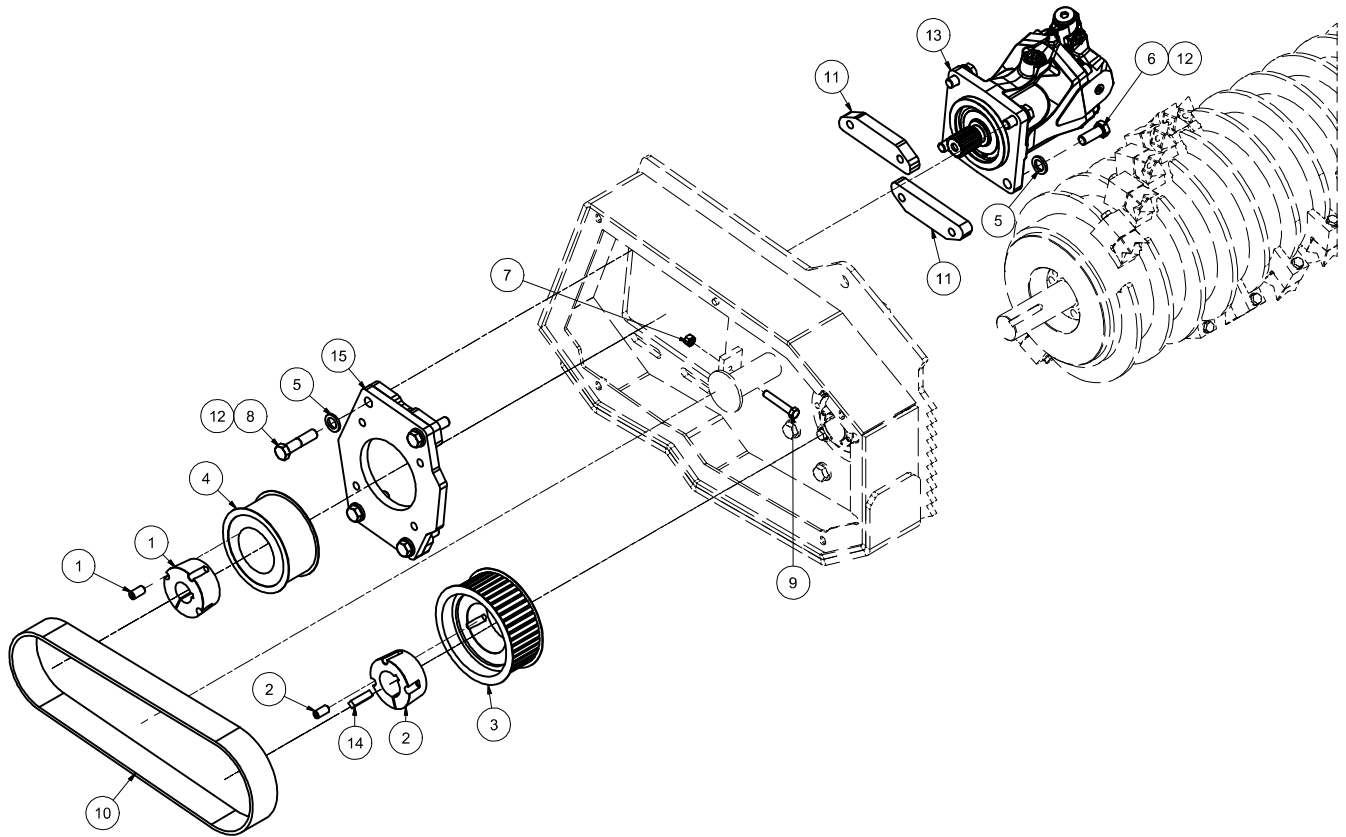


DRUM MULCHER HEAD

DRIVE ASSEMBLY



REF#	PARTS DESCRIPTION	REQ	PART#	TORQUE (ft-lbs)	TORQUE (Nm)
1	BUSHING, 1-3/4 13T, DRUM MULCHER	1	10-1060	60	81
2	BUSHING, 2-3/16 KEYED, DRUM MULCHER	1	10-1061	60	81
3	PULLEY, 201MM X 85MM, DRUM MULCHER	1	10-1063		
4	PULLEY, 165MM X 85MM, DRUM MULCHER	1	10-1064		
5	3/4 SAE GR 8 FLAT WASHER, YELLOW	8	11-0039		
6	3/4-10 X 2 GR 8 HEX CAP, YELLOW ZINC	4	11-0751	376	510
7	1/2-13 GR 5 HEX NUT, ZINC	1	11-1016		
8	3/4-10 X 3-1/4 GR 8 HEX CAP, YELLOW ZINC	4	11-2205	376	510
9	1/2-13 X 3 GR 8 HEX CAP, YELLOW ZINC FULL THREAD	1	11-2206		
10	BELT, HT500, 68MM X 1568MM, DRUM MULCHER	1	12-0082		
11	MOTOR MOUNT CLAMP PLATE, DRUM MULCHER	2	24-0368		
12	LOCTITE 262, .017 OZ (RED)	1	24-0382		
13	MVA115, VARIABLE DISPLACEMENT BENT AXIS PISTON MOTOR	1	30-0575		
	CONTROLLER, MVA115, 3000 PSI CARRIER SETTING		39-1128		
	CONTROLLER, MVA115, 3300 PSI CARRIER SETTING		39-1129		
	CONTROLLER, MVA115, 3500 PSI CARRIER SETTING		39-1130		
	CONTROLLER, MVA115, 4000 PSI CARRIER SETTING		39-1131		
14	KEY 1/2 X 1/2 X 2	1	37-0026		
15	MOTOR MOUNT, DRUM MULCHER	1	41-1606		