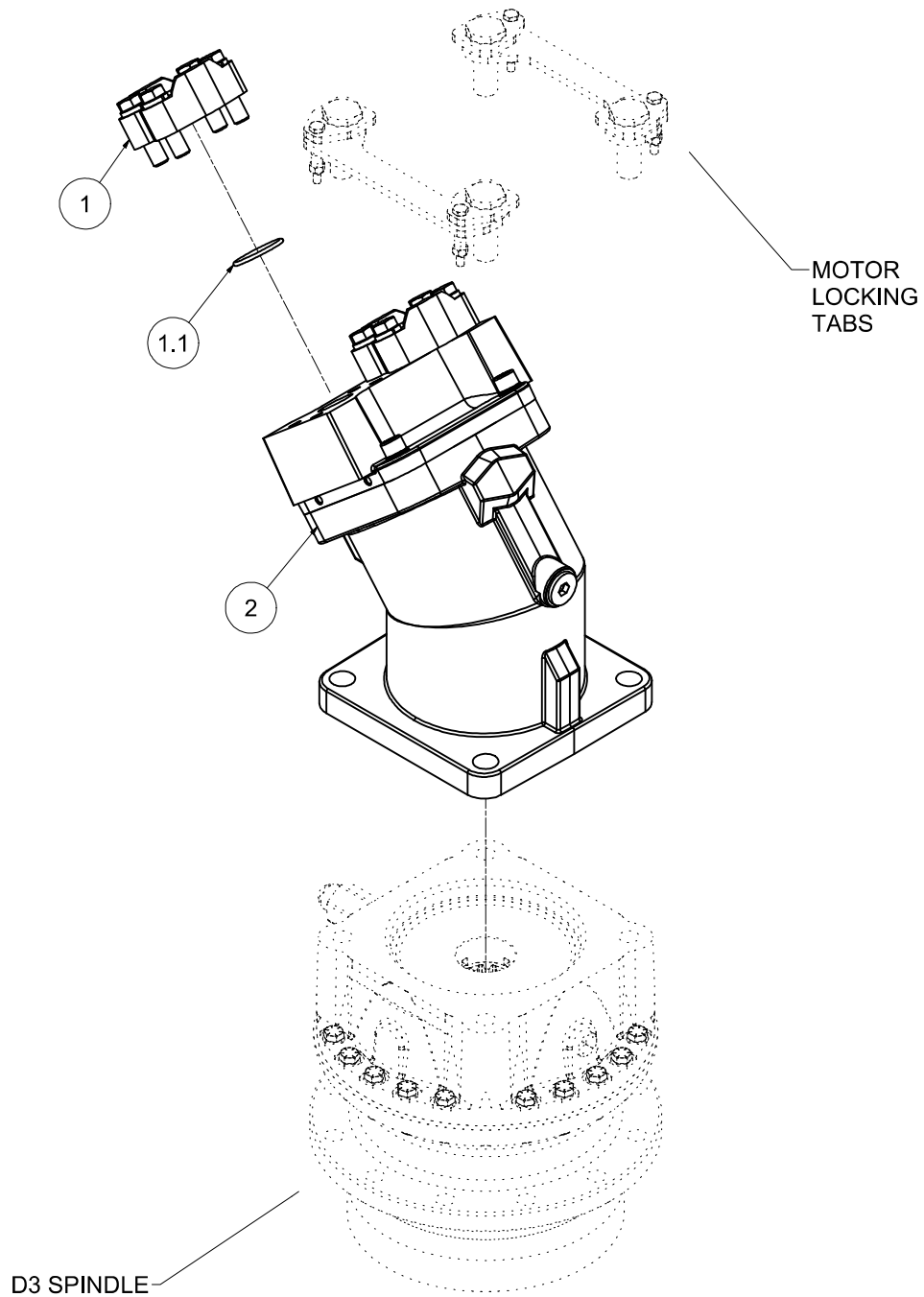


# FORESTRY DISC HEAD

## MOTOR - DECK SUBASSEMBLY, PISTON MOTOR



REF#	PARTS DESCRIPTION	REQ	PART#	TORQUE (ft-lbs)
1	#20 FLANGE KIT, CODE 62	2	21-1678	106
1.1	O-RING, #20 FLANGE	1	33-0013	
2	MOTOR	1		
	MA125 FIXED DISPL. BENT AXIS PISTON MOTOR		30-0553	
	32-45 GPM (122-170 LPM) (STD FLOW)			
	FIXED DISPLACEMENT BENT AXIS PISTON MOTOR, 160CC		30-0588	
	37-45 GPM (140-170 LPM) (HIGH FLOW)			

30-0553-3 | Rev 000