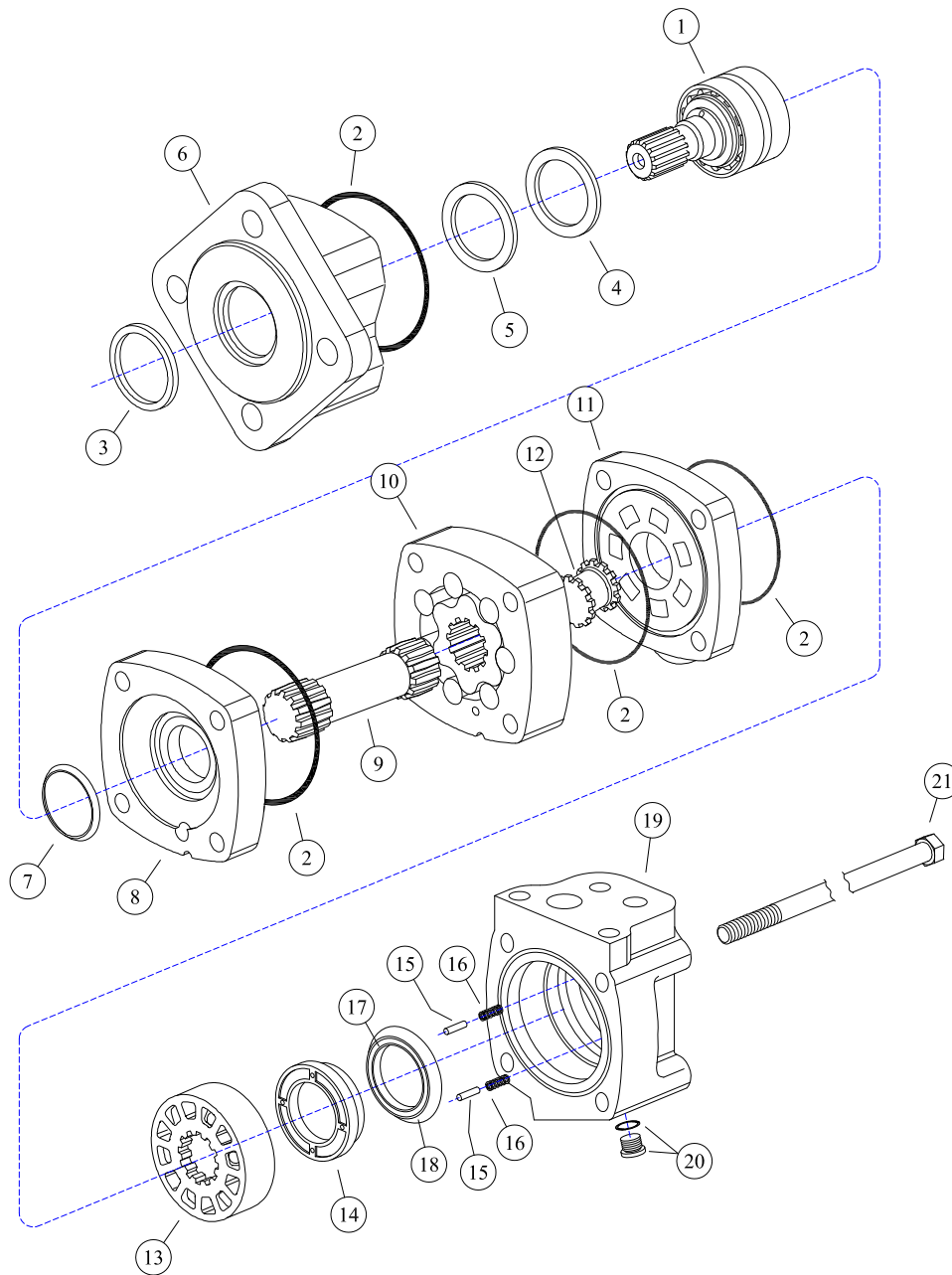


30-0529 Motor



* Part included with item # 22 seal kit

REF#	PARTS DESCRIPTION	REQ	PART #
1	SHAFT & BEARING KIT (1-1/4" SPLINED 14T)	1	30-1311
2	SEAL	4	30-1312
3	SEAL, EXCLUSION	1	30-1313
4	SEAL, SHAFT	1	30-1314
5	RING, BACK-UP	1	30-1315
6	HOUSING, BEARING, DIAGONAL (FOUR BOLT)	1	30-1316
7	SEAL, SHAFT FACE	1	30-1317
8	PLATE, WEAR	1	30-1318
9	DRIVE, MAIN	1	30-1319
10	GEROLER	1	30-1320
11	PLATE, VALVE	1	30-1321
12	DRIVE, VALVE	1	30-1322

REF#	PARTS DESCRIPTION	REQ	PART #
13	VALVE	1	30-1323
14	BALANCER RING	1	30-1324
15	PIN, BALANCE RING	2	30-1325
16	SPRING, COMPRESSION	2	30-1326
17	SEAL, FACE, INNER	1	30-1327
18	SEAL, FACE, OUTER	1	30-1328
19	HOUSING, VALVE	1	30-1329
20	PLUG ASSEMBLY W/ O-RING	1	30-1309
	O-RING	1	30-1330
21	SCREW, CAP	4	30-1331
22	SEAL KIT	1	33-0064