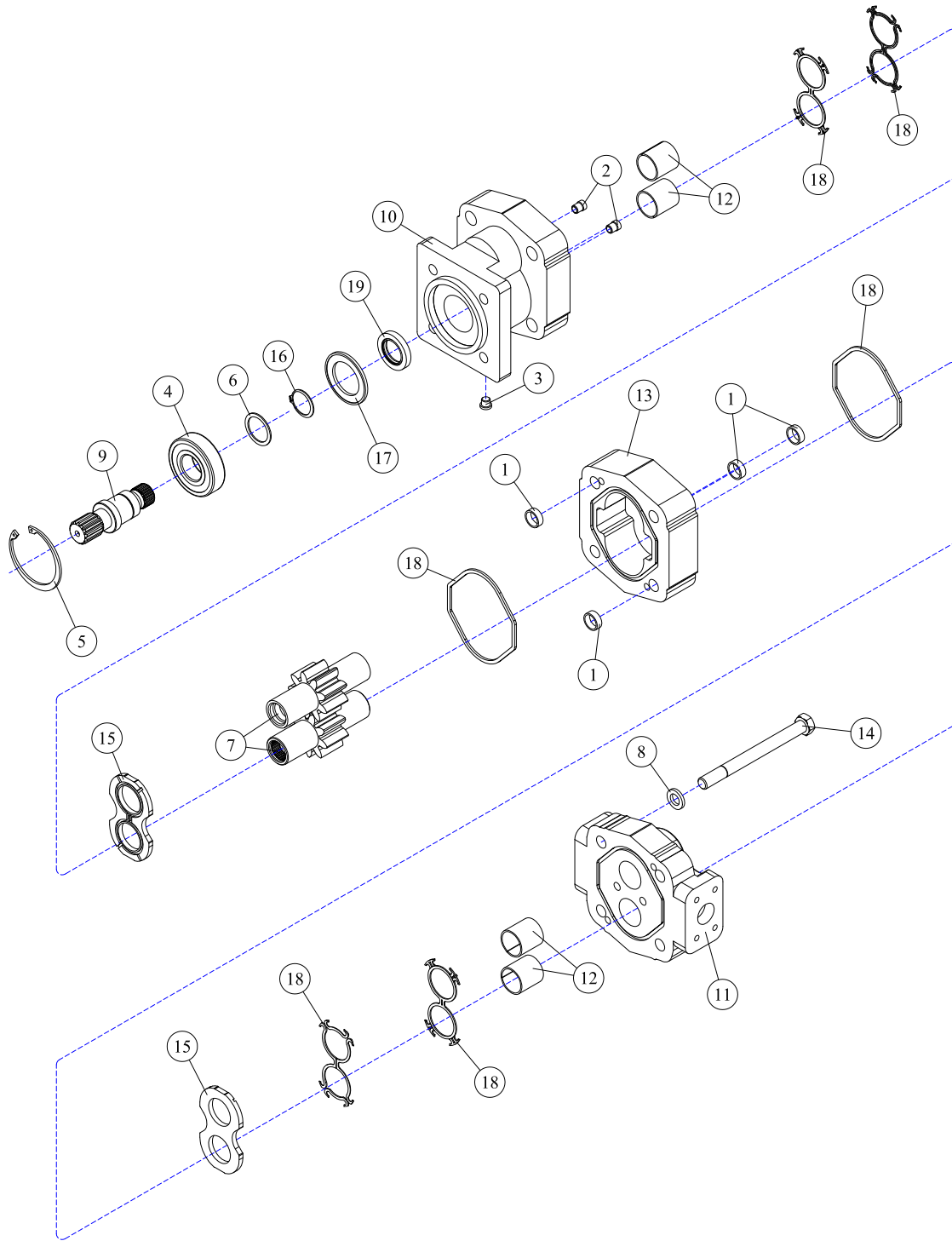


30-0525 Motor



REF#	PARTS DESCRIPTION	REQ	PART #
1	DOWEL PIN	4	30-1086
2	CHECK ASSEMBLY	2	30-1087
3	PLUG	1	30-1096
4	OUTBOARD BEARING	1	30-1109
5	SNAP RING	1	30-1110
6	BEARING SPACER	1	30-1112
7	GEAR SET, M330, 1-1/4"	1	30-1191
8	WASHER	4	30-1127
9	CONTINENTAL SHAFT	1	30-1130
10	SHAFT END COVER	1	30-1182

REF#	PARTS DESCRIPTION	REQ	PART #
11	PORT END COVER	1	30-1183
12	BUSHING (included in shaft & port covers)	4	Call
13	GEAR HOUSING, M330, 1-1/4"	1	30-1192
14	STUD	4	30-1185
15	THRUST PLATE	2	30-1186
16	RETAINING RING	1	30-1187
17	SEAL RETAINER	1	30-1188
18	M330 SEAL KIT	Avail	30-1189
19	SHAFT SEAL 150 PSI (included in M330 seal kit)	1	30-1190