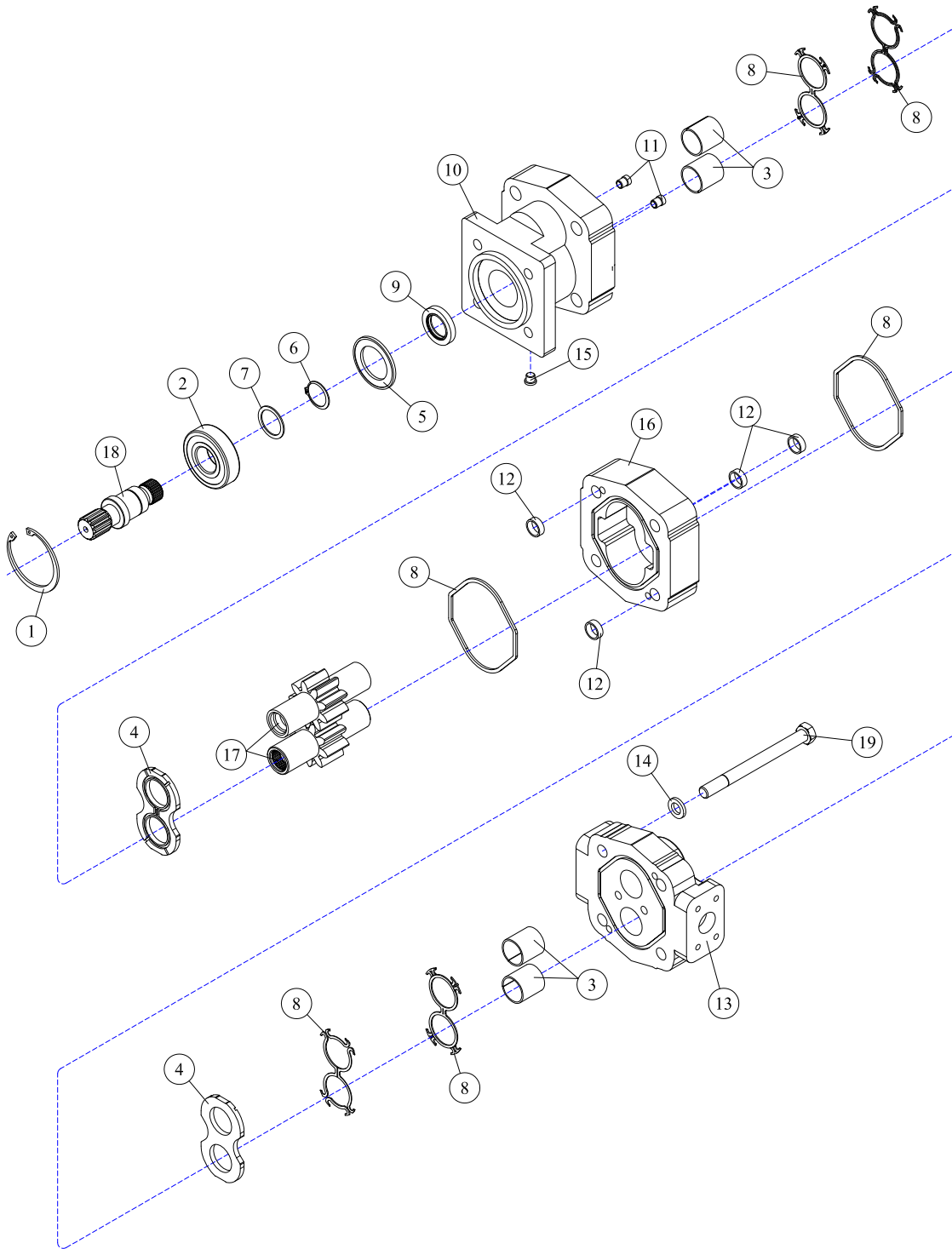


30-0514 Motor



REF#	PARTS DESCRIPTION	REQ	PART #
1	SNAP RING	1	30-1009
2	OUTBOARD BEARING	1	30-1010
3	BUSHING	4	30-1011
4	THRUST PLATE	2	30-1012
5	SEAL RETAINER	1	30-1017
6	RETAINING RING	1	30-1019
7	WASHER	1	30-1020
8	M365 SEAL KIT	Avail	30-1021
9	150 PSI (included in M365 seal kit)	1	30-1210
10	SHAFT END COVER	1	30-1086

REF#	PARTS DESCRIPTION	REQ	PART #
11	CHECK ASSEMBLY	2	30-1087
12	ALIGNMENT BUSHING	4	30-1090
13	PORT END COVER	1	30-1091
14	WASHER	4	30-1093
15	PLUG	1	30-1096
16	GEAR HOUSING	1	30-1140
17	1" GEAR SET	1	30-1141
18	CONTINENTAL SHAFT, SPLINED	1	30-1144
19	STUD	4	Call