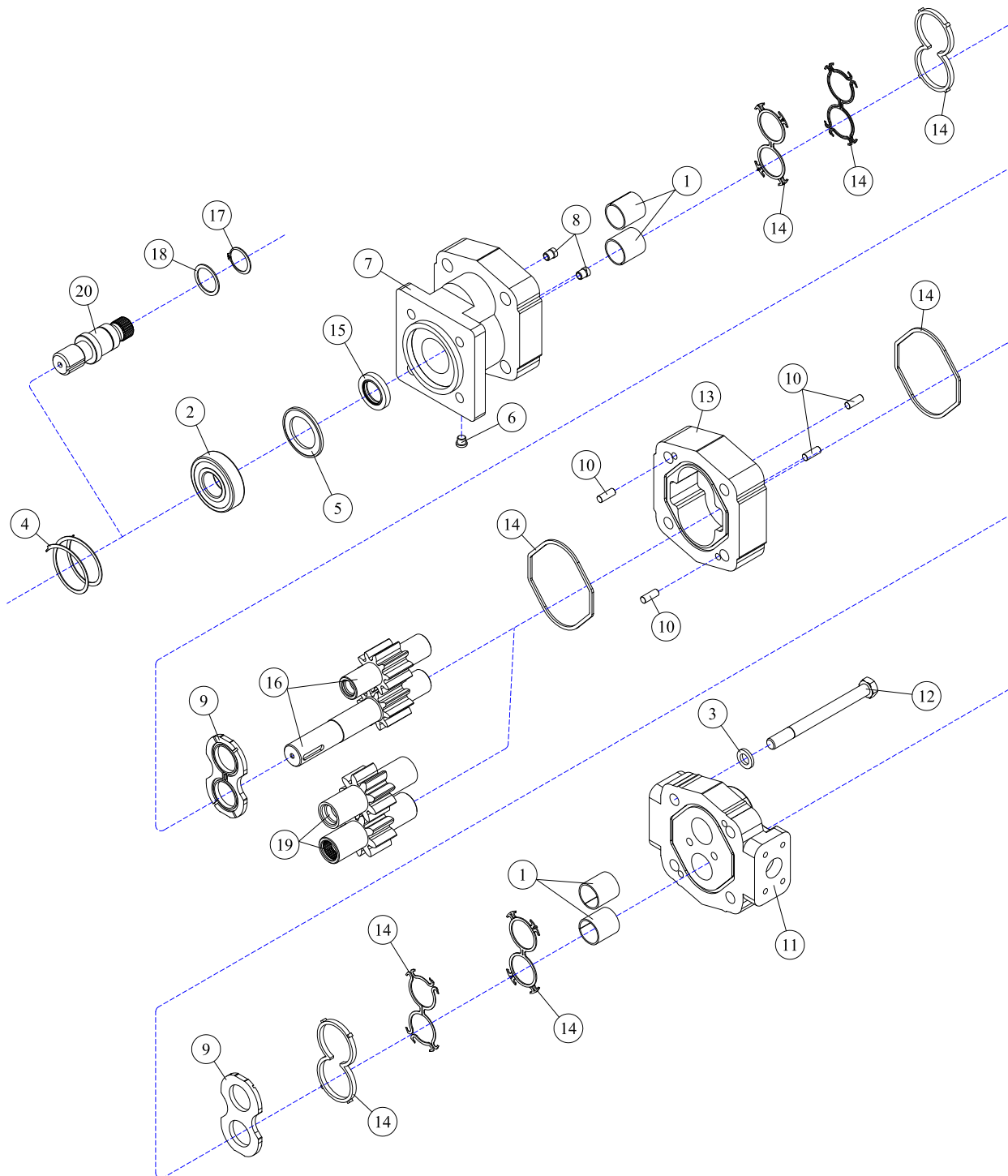


30-0509 Motor



REF#	PARTS DESCRIPTION	REQ	PART #
1	BUSHING	4	30-1002
2	BALL BEARING	1	30-1044
3	WASHER	4	30-1071
4	SPIROLOCK	1	30-1094
5	RETAINING RING	1	30-1095
6	PLUG	1	30-1096
7	SHAFT END COVER	1	30-1097
8	CHECK ASSEMBLY	2	30-1098
9	THRUST PLATE	2	30-1100
10	DOWEL PIN	4	30-1102
11	PORT END COVER W/ BUSHINGS	1	30-1133
12	STUD	4	30-1134
13	GEAR HOUSING 1-3/4"	1	30-1208
14	SEAL KIT		
	SEAL KIT (integral shaft only) comes w/ 30-1162	1	30-1207

REF#	PARTS DESCRIPTION	REQ	PART #
	SEAL KIT (continental shaft only)	1	30-1211
15	SHAFT SEAL		
	CONTINENTAL SHAFT ONLY:		
	300 PSI (included in M350 seal kit)	1	30-1209
	INTEGRAL SHAFT ONLY:		
	500 PSI	1	30-1036
*	SHAFT TOOL (not shown) (required for install)	1	30-1162
	GEAR SET OPTION A:		
16	INTEGRAL SHAFT AND GEAR 1-3/4"	1	30-1024
	GEAR SET OPTION B:		
17	RETAINING RING	1	30-1258
18	RETAINING WASHER	1	30-1259
19	2-1/4" GEAR SET	1	30-1025
20	CONTINENTAL SHAFT, SPLINED	1	30-1144