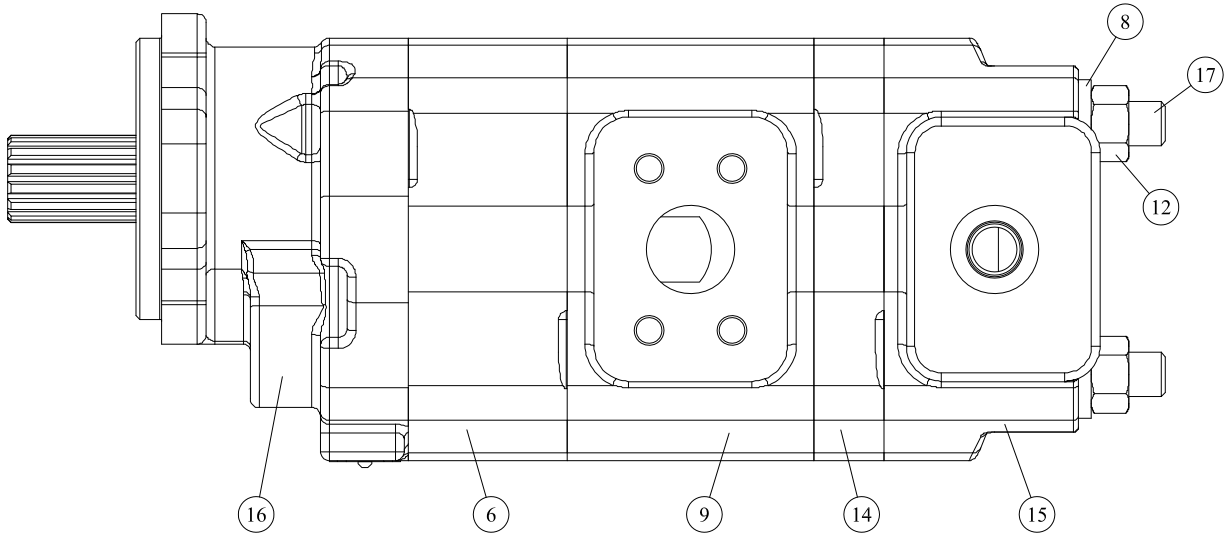
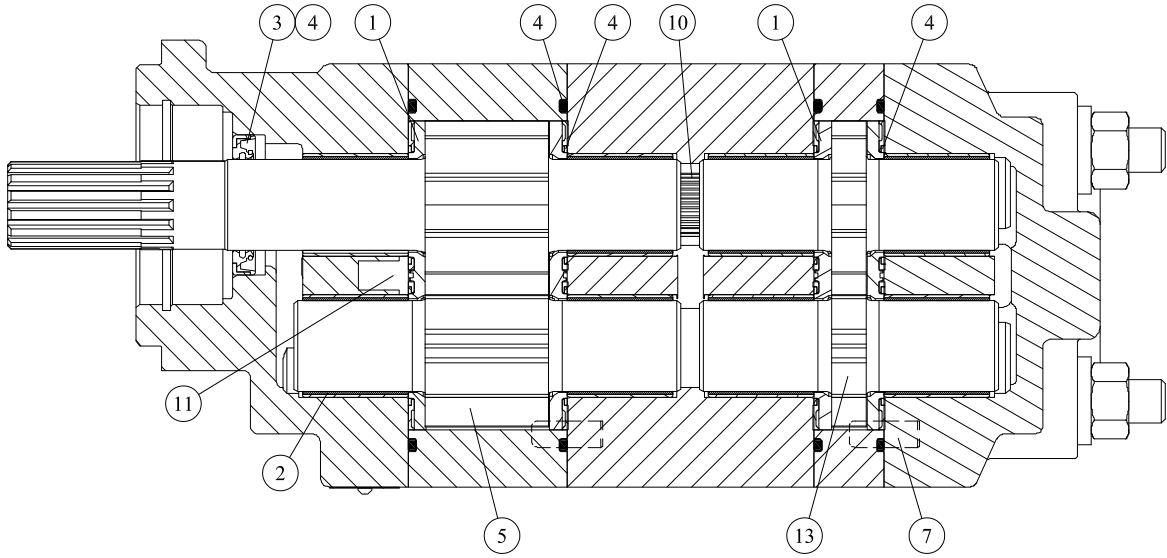


# 30-0013 Pump Assembly



REF#	PARTS DESCRIPTION	REQ	PART #
1	THRUST PLATE	4	30-1001
2	BUSHING	8	30-1002
3	SHAFT SEAL	1	30-1003
4	SEAL KIT	2	30-1004
5	INTEGRAL DRIVE SHAFT & GEAR SET, 1-3/4"	1	30-1005
6	GEAR HOUSING, 1-3/4"	1	30-1006
7	DOWEL PINS	8	30-1068
8	WASHER	4	30-1071
9	BEARING CARRIER	1	30-1103

REF#	PARTS DESCRIPTION	REQ	PART #
10	CONNECTING SHAFT	1	30-1104
11	PLUG	1	30-1115
12	NUT	4	30-1128
13	GEAR SET, 3/4"	1	30-1200
14	GEAR HOUSING, 3/4"	1	30-1201
15	PORT END COVER	1	30-1167
16	SHAFT END COVER	1	30-1168
17	STUDS	4	Call

\*\*\* PART 30-1003 ALSO INCLUDED IN SEAL KIT 30-1004\*\*\*