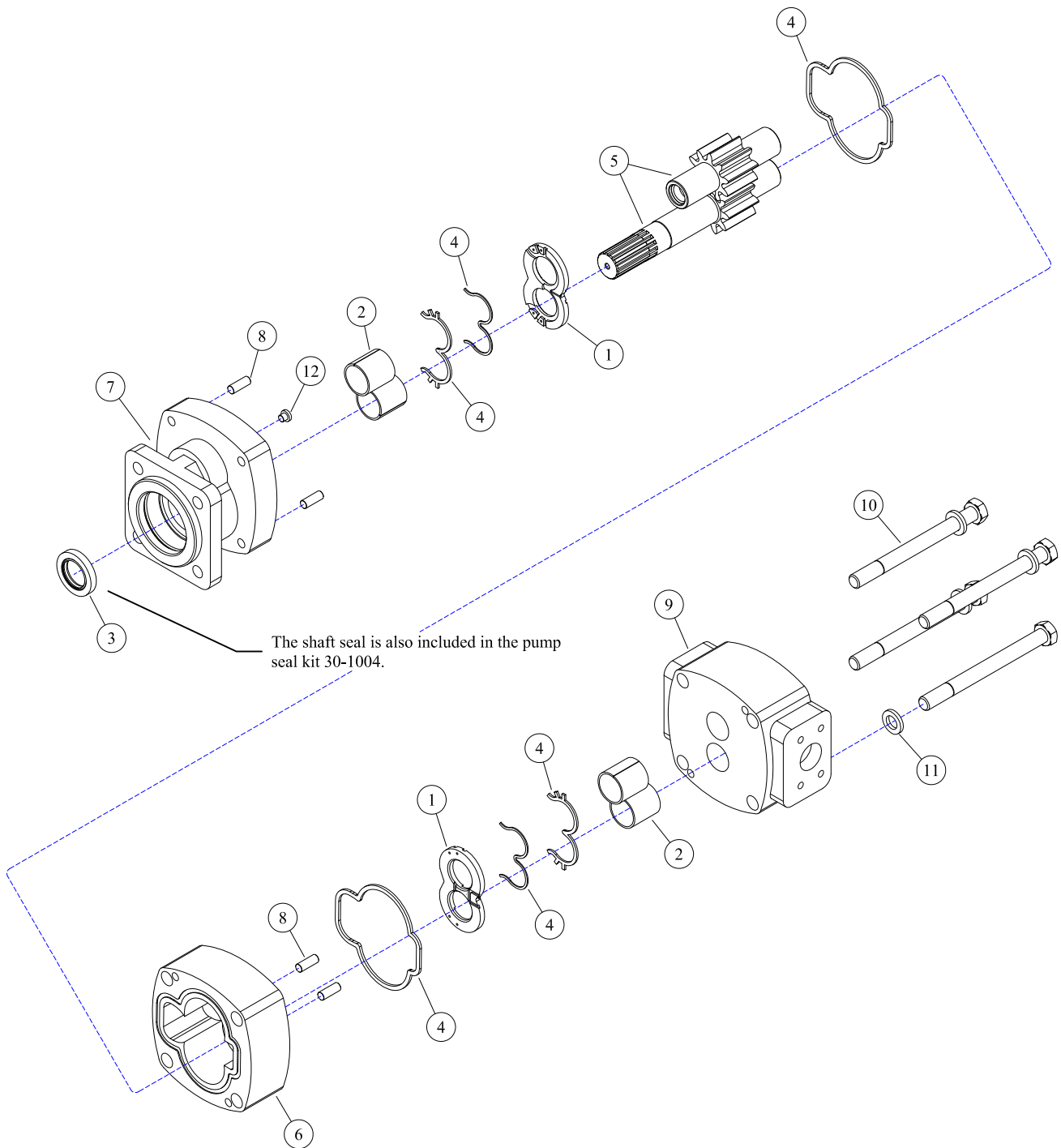


30-0003 Pump Assembly



REF#	PARTS DESCRIPTION	REQ	PART #
1	THRUST PLATE	2	30-1001
2	BUSHING	4	30-1002
3	SHAFT SEAL	1	30-1003
4	SEAL KIT	1	30-1004
5	GEAR SET INTEGRAL DRIVE SHAFT	1	30-1005
6	GEAR HOUSING	1	30-1006

REF#	PARTS DESCRIPTION	REQ	PART #
7	SHAFT END COVER	1	30-1065
8	DOWEL PINS	4	30-1068
9	PORT END COVER	1	30-1069
10	STUDS	4	30-1070
11	LOCK WASHER	4	30-1071
12	PLUG	1	30-1115