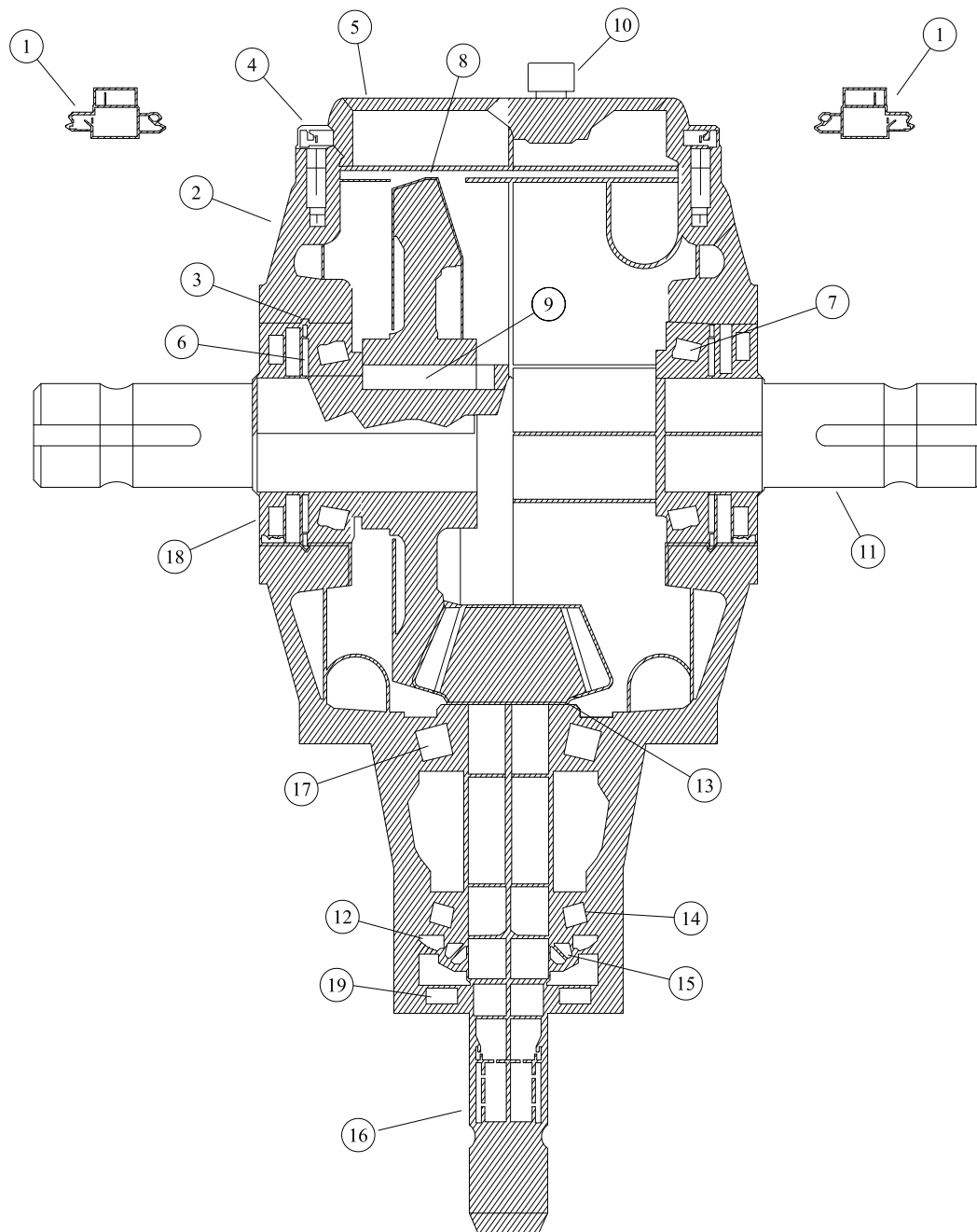


19-0020 Gear Box



| REF# | PARTS DESCRIPTION | REQ | PART # |
|------|-------------------|-----|---------|
| 1 | PLUG 1/2" GAS | 2 | 19-0001 |
| 2 | GEAR BOX HOUSING | 1 | 19-0017 |
| 3 | SNAP RING | 2 | 19-0022 |
| 4 | 8MM - 25MM BOLT | 6 | 19-0023 |
| 5 | GEAR BOX COVER | 1 | 19-0024 |
| 6 | SHIM | 2 | 19-0025 |
| 7 | BEARING | 2 | 19-0026 |
| 8 | GEAR | 1 | 19-0027 |
| 9 | PARALLEL KEY | 1 | 19-0028 |
| 10 | OIL FILL PLUG | 1 | 19-0039 |

| REF# | PARTS DESCRIPTION | REQ | PART # |
|------|-------------------|-----|---------|
| 11 | SHAFT | 1 | 19-0030 |
| 12 | SPRING WASHER | 1 | 19-0031 |
| 13 | SHIM | 1 | 19-0032 |
| 14 | BEARING | 1 | 19-0033 |
| 15 | LOCK NUT | 1 | 19-0034 |
| 16 | PINION | 1 | 19-0035 |
| 17 | BEARING | 1 | 19-0036 |
| 18 | OIL SEAL | 2 | 33-0007 |
| 19 | DOUBLE LIP SEAL | 1 | 33-0021 |