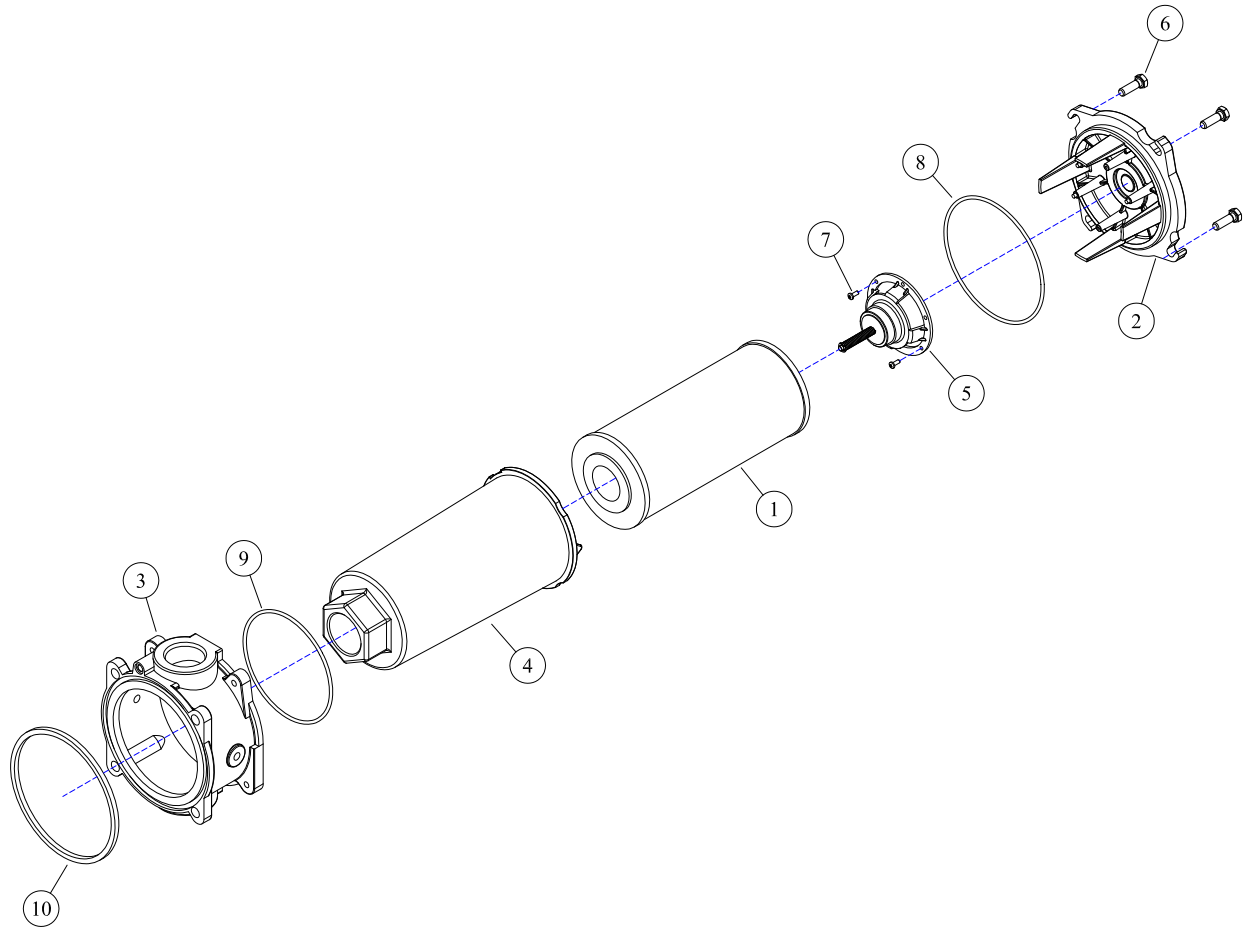


Filter Housing Assembly, SAE



REF#	PARTS DESCRIPTION	REQ	PART #
1	FILTER ELEMENT	1	17-0001
2	COVER	1	17-0016
3	PORT CASTING	1	17-0017
4	ELEMENT HOUSING	1	17-0018
5	BY-PASS ASSEMBLY	1	17-0019
6	SCREW (COVER)	4	17-0020
7	SCREW (BY-PASS ASSEMBLY)	2	17-0021
8	O-RING, COVER/PORT CASTING	1	33-0005
9	O-RING, ELEMENT/PORT CASTING	1	33-0053
10	TETRA SEAL	1	33-0018