

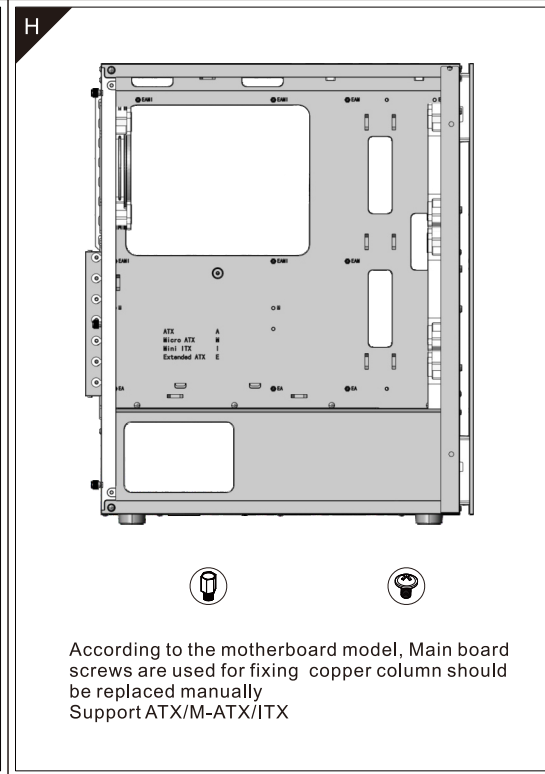
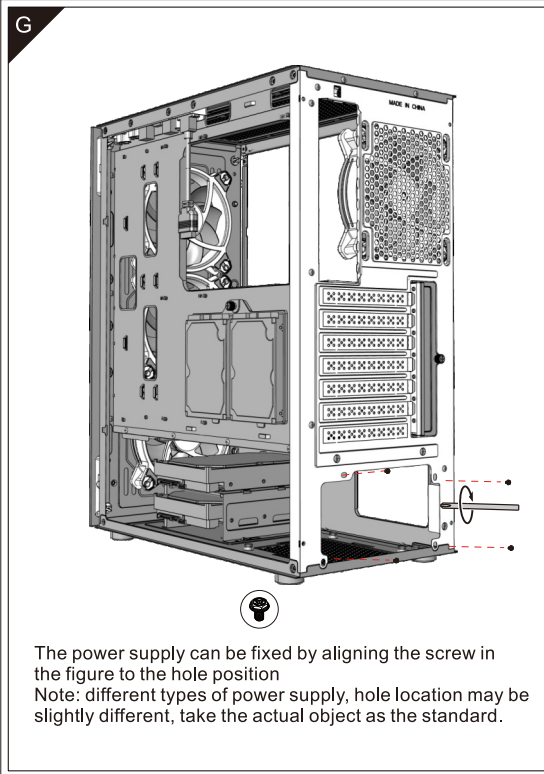
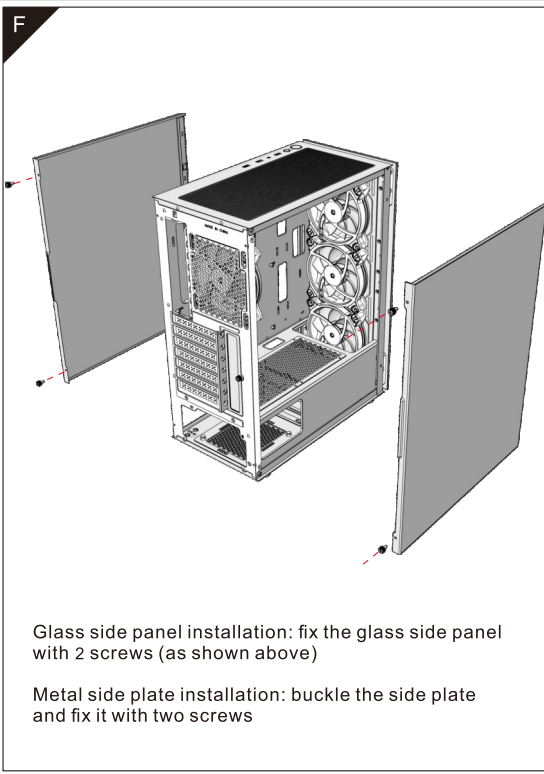
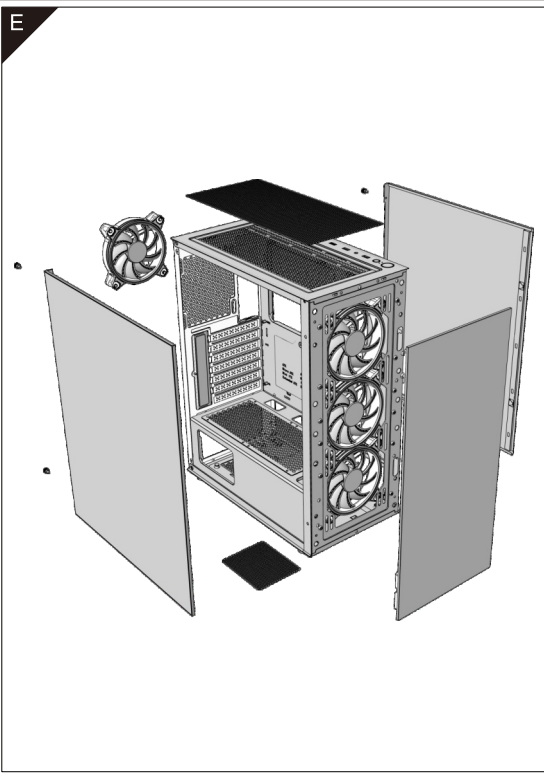
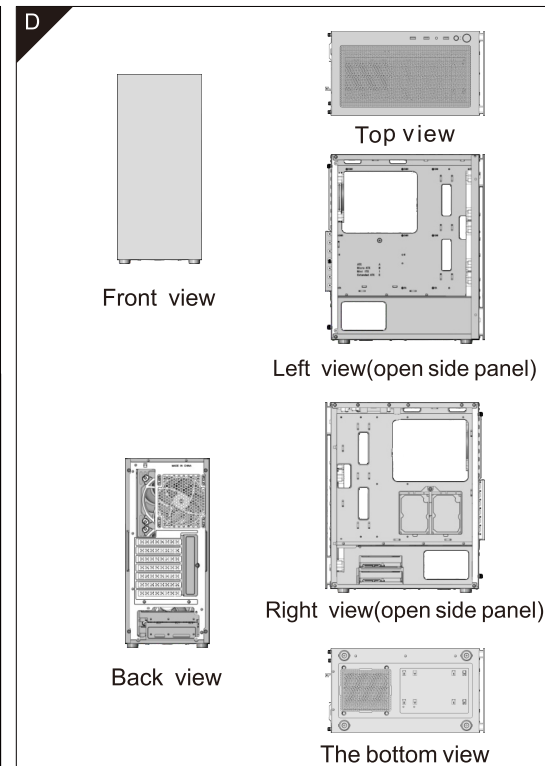
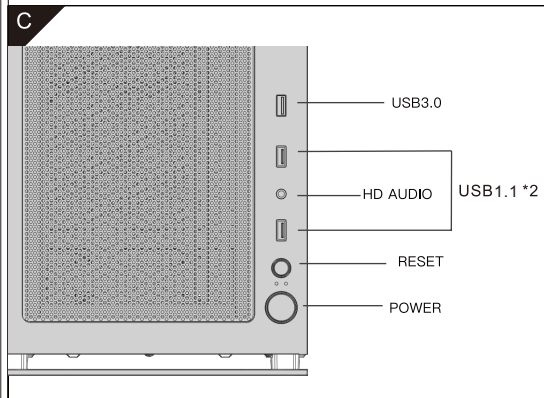
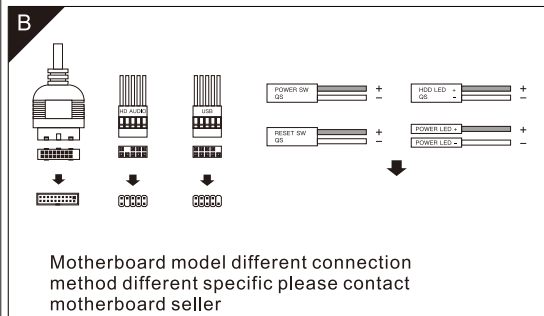
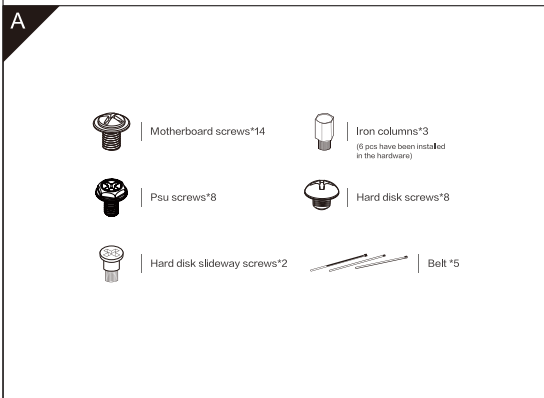
TWISTED MINDS

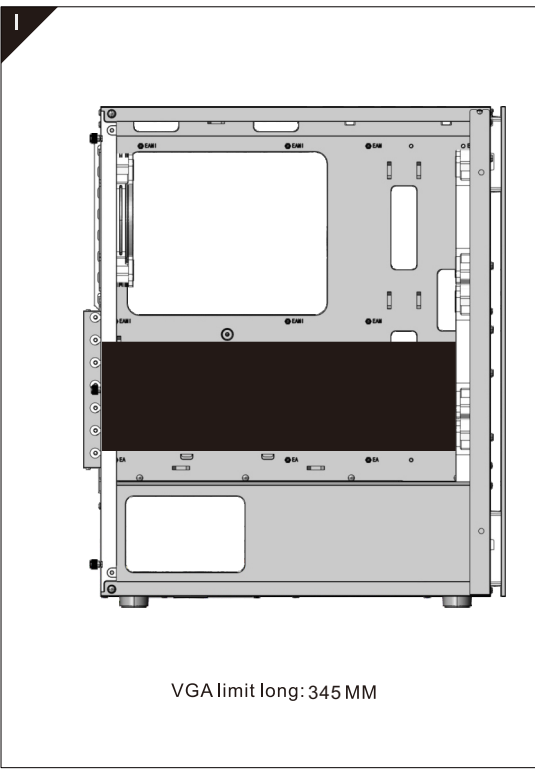
ALL RULES BROKEN

TM-350-18

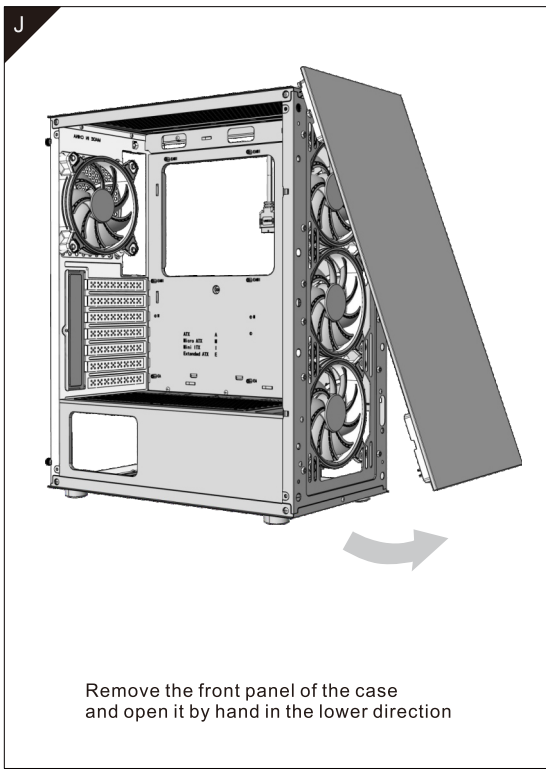
【operating manual】

- A: Package details
- B: Schematic diagram of wire interface
- C: IO panel introduction
- D: Machine overview
- E: Chassis disassembly diagram
- F: Remove and install glass side panels
- G: The power supply installation
- H: Motherboard installation
- I: The graphics card installation
- J: Panel disassembly
- K: Fan installation
- L: Water cooling installation
- M: SSD installation
- N: HDD installation

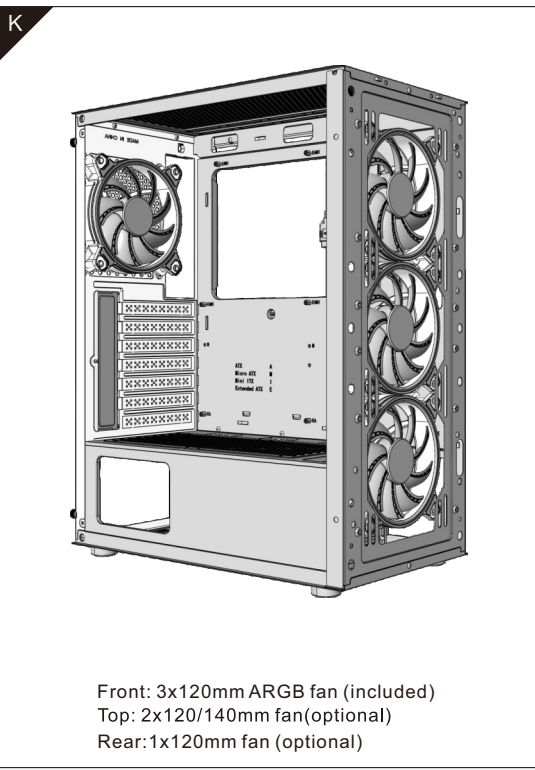




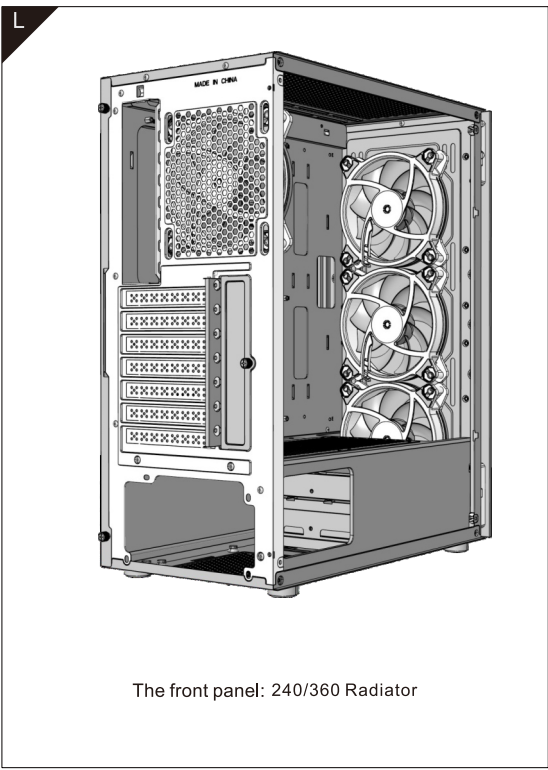
VGA limit long: 345 MM



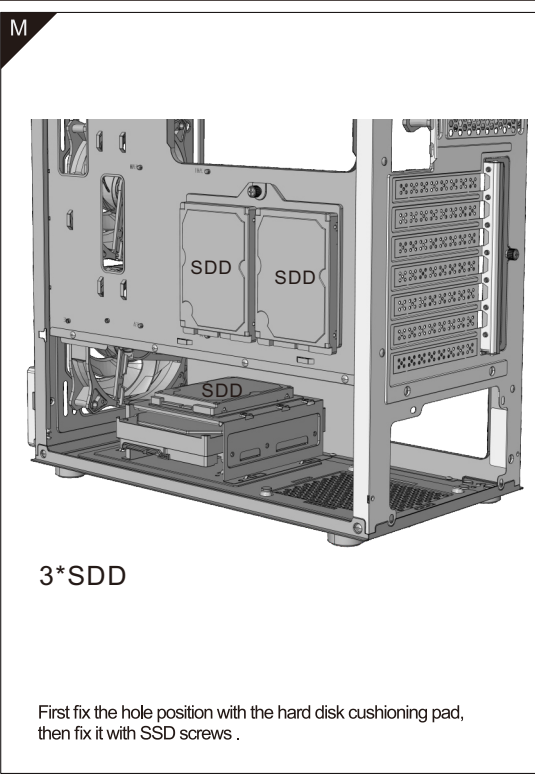
Remove the front panel of the case and open it by hand in the lower direction



Front: 3x120mm ARGB fan (included)
 Top: 2x120/140mm fan(optional)
 Rear: 1x120mm fan (optional)

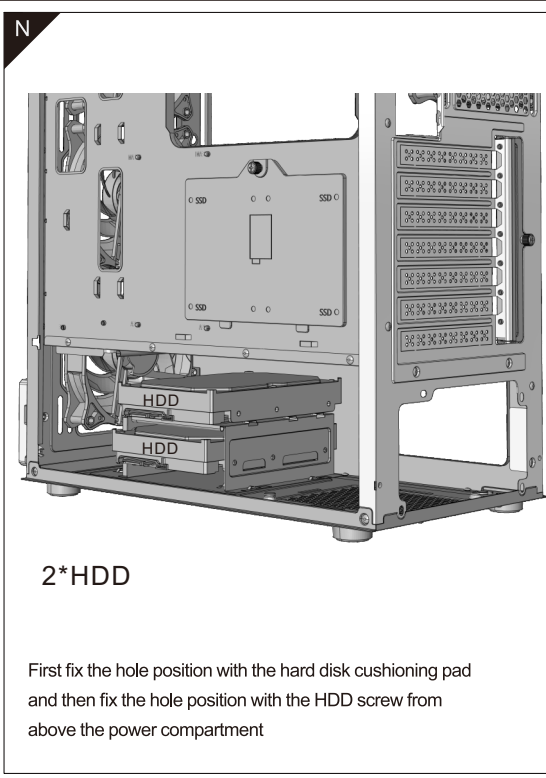


The front panel: 240/360 Radiator



3*SDD

First fix the hole position with the hard disk cushioning pad, then fix it with SSD screws .



2*HDD

First fix the hole position with the hard disk cushioning pad and then fix the hole position with the HDD screw from above the power compartment

TWISTED MINDS
 ALL RULES BROKEN