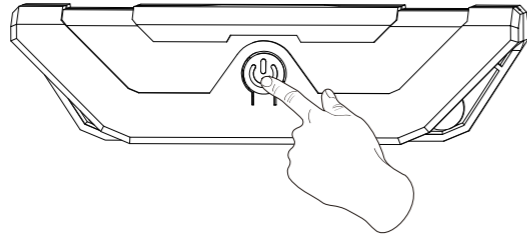


**Changes of key on the Module as below:**




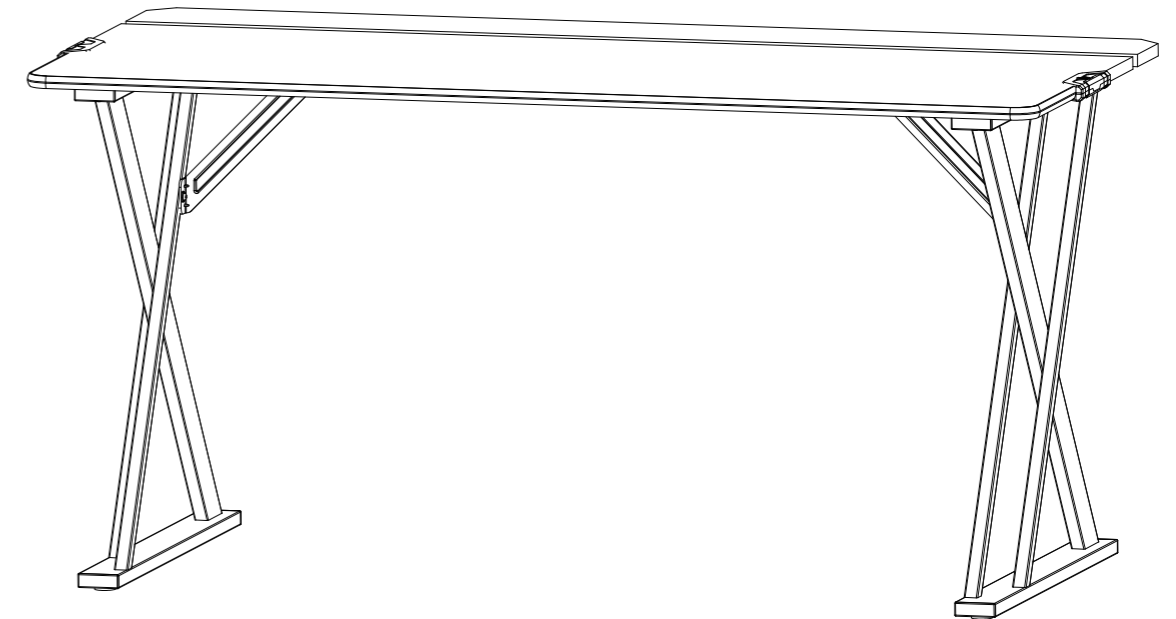
Press the key to cycle through the modes.  
There's a total of 9 modes (modes as below table).  
Long press for 3 seconds to turn on the light mode.

Mode	Function
Initial state at power up	Static Blue
Press to one time	Static Red
Press to Two times	Static Green
Press to Three times	Static Yellow-Green
Press to Four times	Static Cyan
Press to Five times	Static Magenta
Press to Six times	Static White
Press to Seven times	Seven Color Strobing
Press to Eight times	Seven Color Pulsing
Press to Nine times	Static Blue
Long press for 3 seconds to turn off the light mode	

# Gaming Desk

## MOUNTING INSTRUCTIONS

 ≤80kg  
(≤176.4lbs)



### CAUTION

DO NOT EXCEED MAXIMUM LISTED WEIGHT CAPACITY.  
SERIOUS INJURY OR PROPERTY DAMAGE MAY OCCUR.

# PARTS LIST

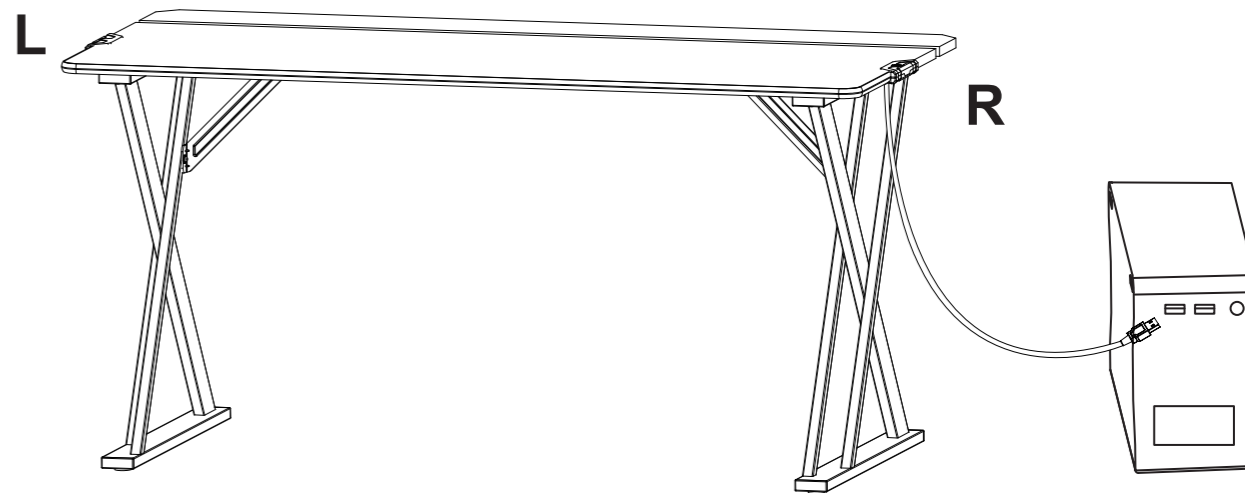


① Tabletop (x1)	② Left leg (x1)	③ Right leg (x1)
④ Small tabletop (x1)	⑤ Front crossbar (x1)	⑥ Rear crossbar (x1)
⑦ Support plate (x2)	⑧ Feets (x4)	⑨ RGB cover (x1)
⑩ Right RGB Cover Connection Cable with USB (x1)	⑪ Left RGB Cover Connection Cable (x1)	

<b>A</b> M6×12mm (x12)	<b>B</b> M6×30mm (x10)	<b>C</b> M4×16mm (x4)	<b>D</b> S=4mm (x1)	<b>E</b> Buckle(x2)

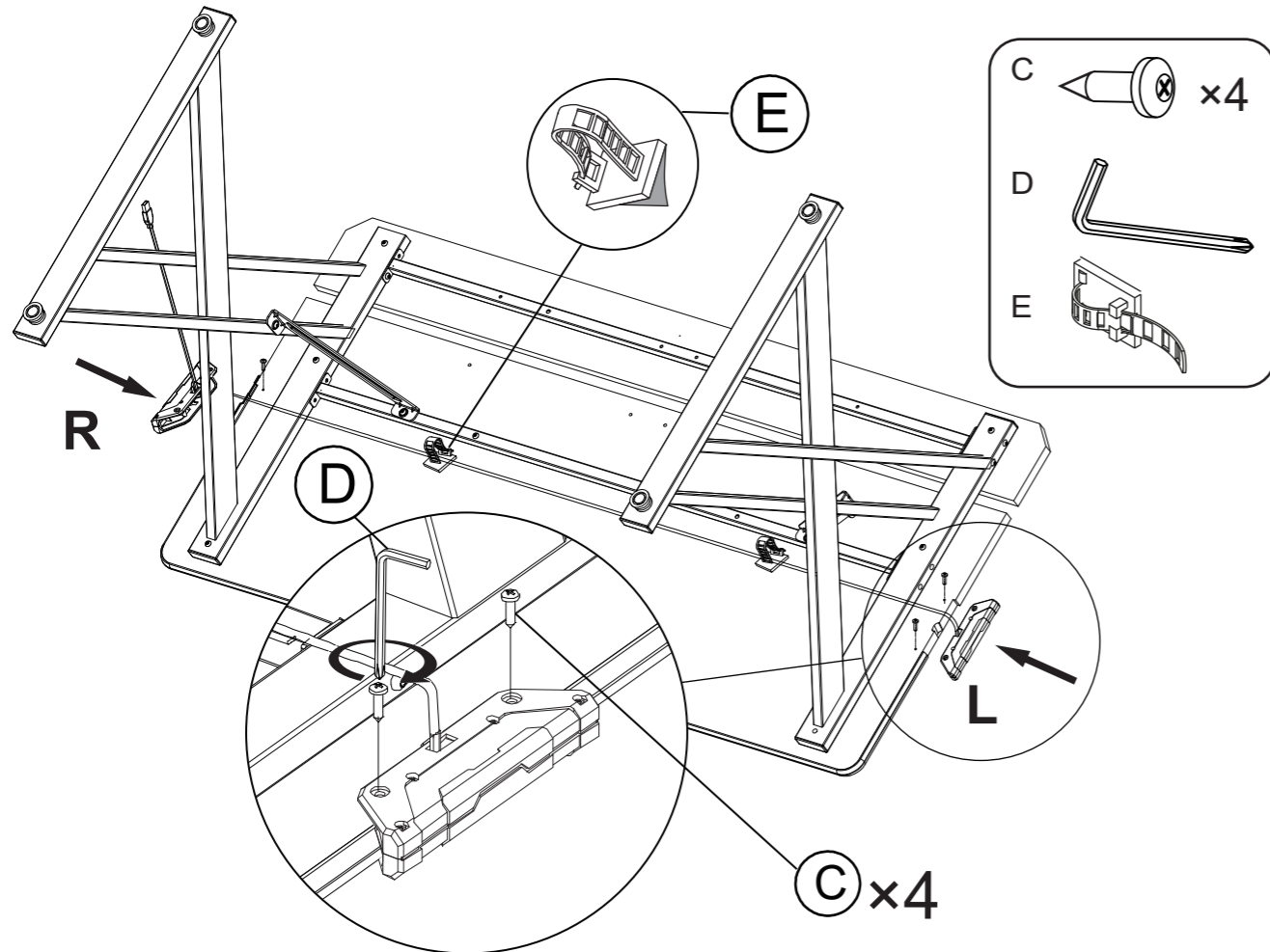
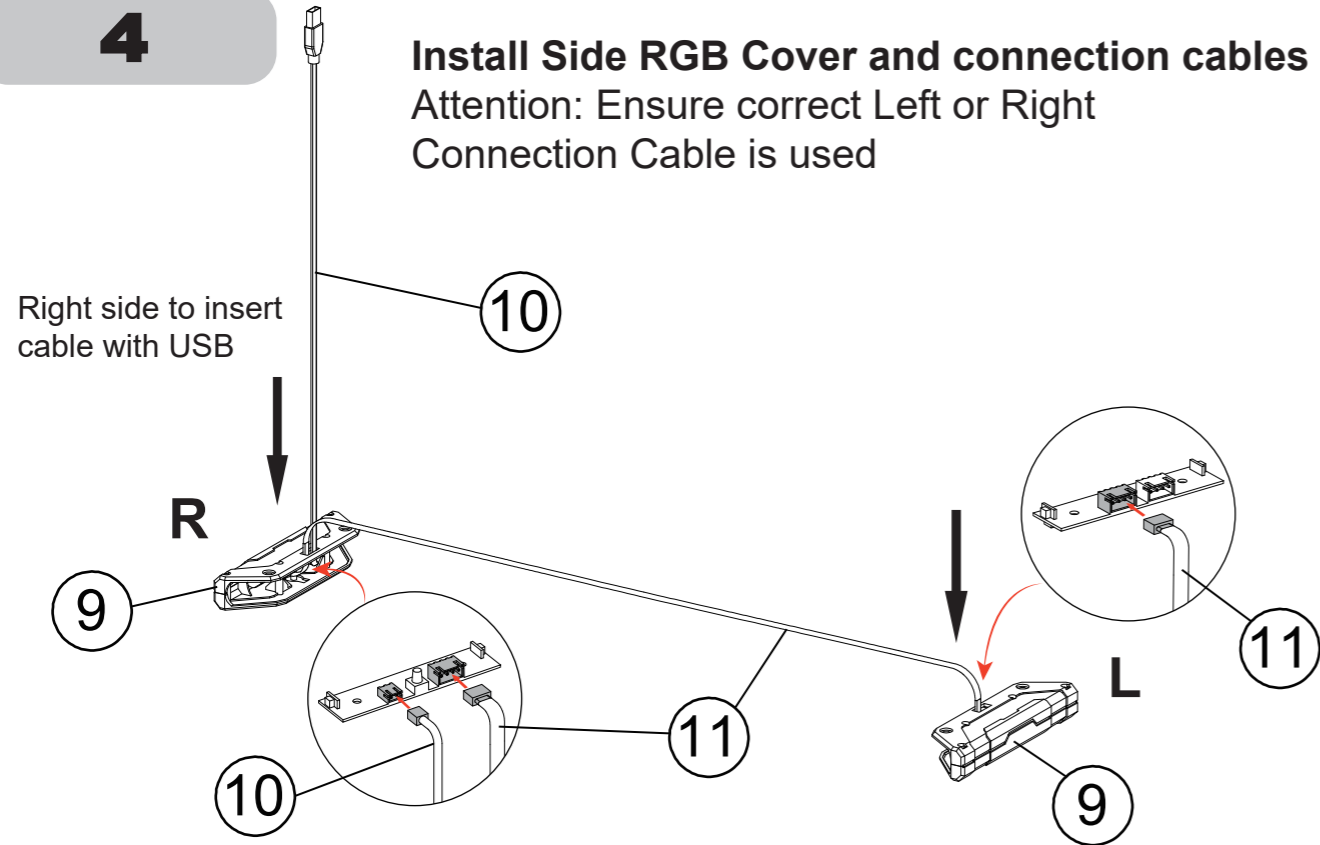
## 5

Connecting the computer case.



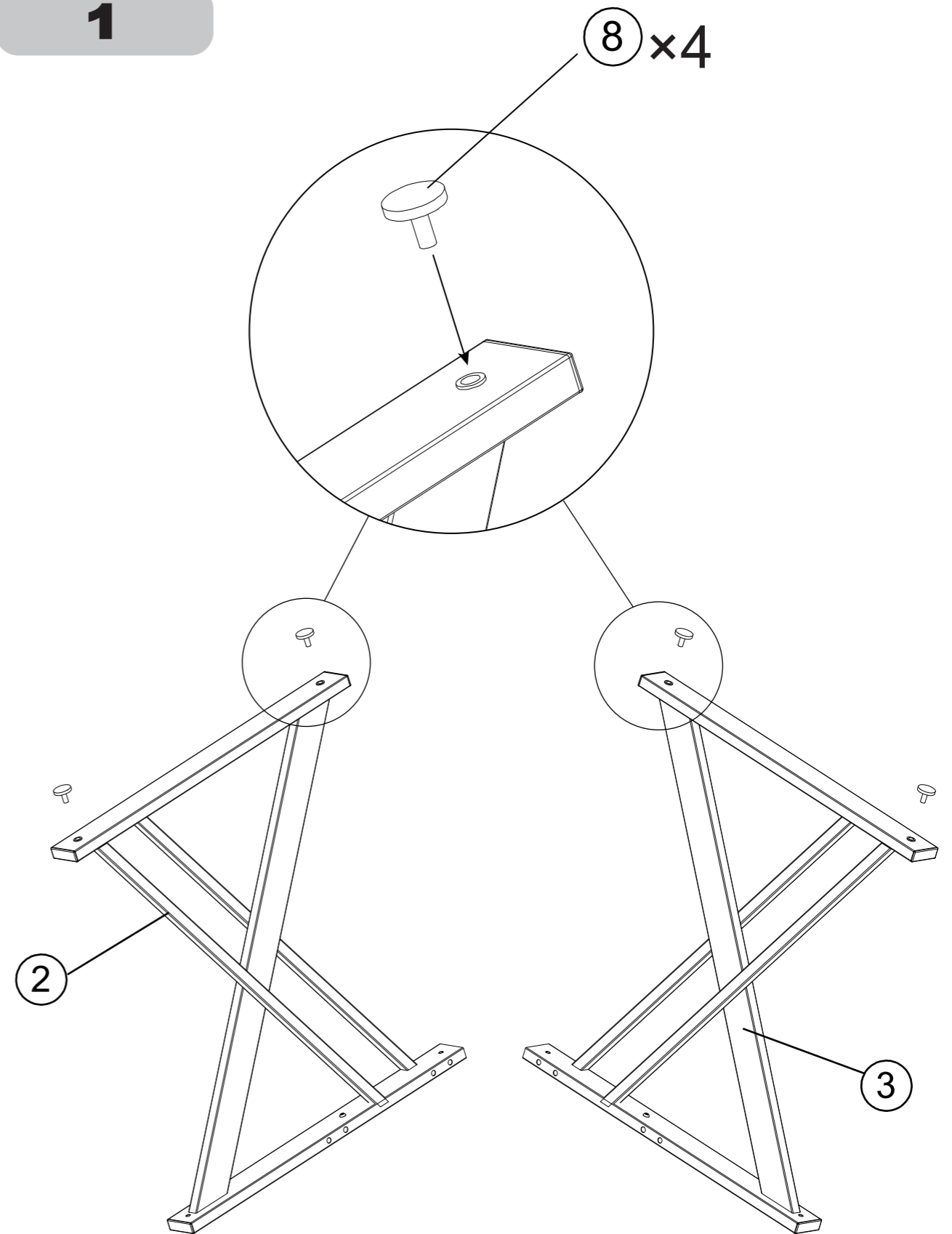
4

**Install Side RGB Cover and connection cables**  
Attention: Ensure correct Left or Right Connection Cable is used

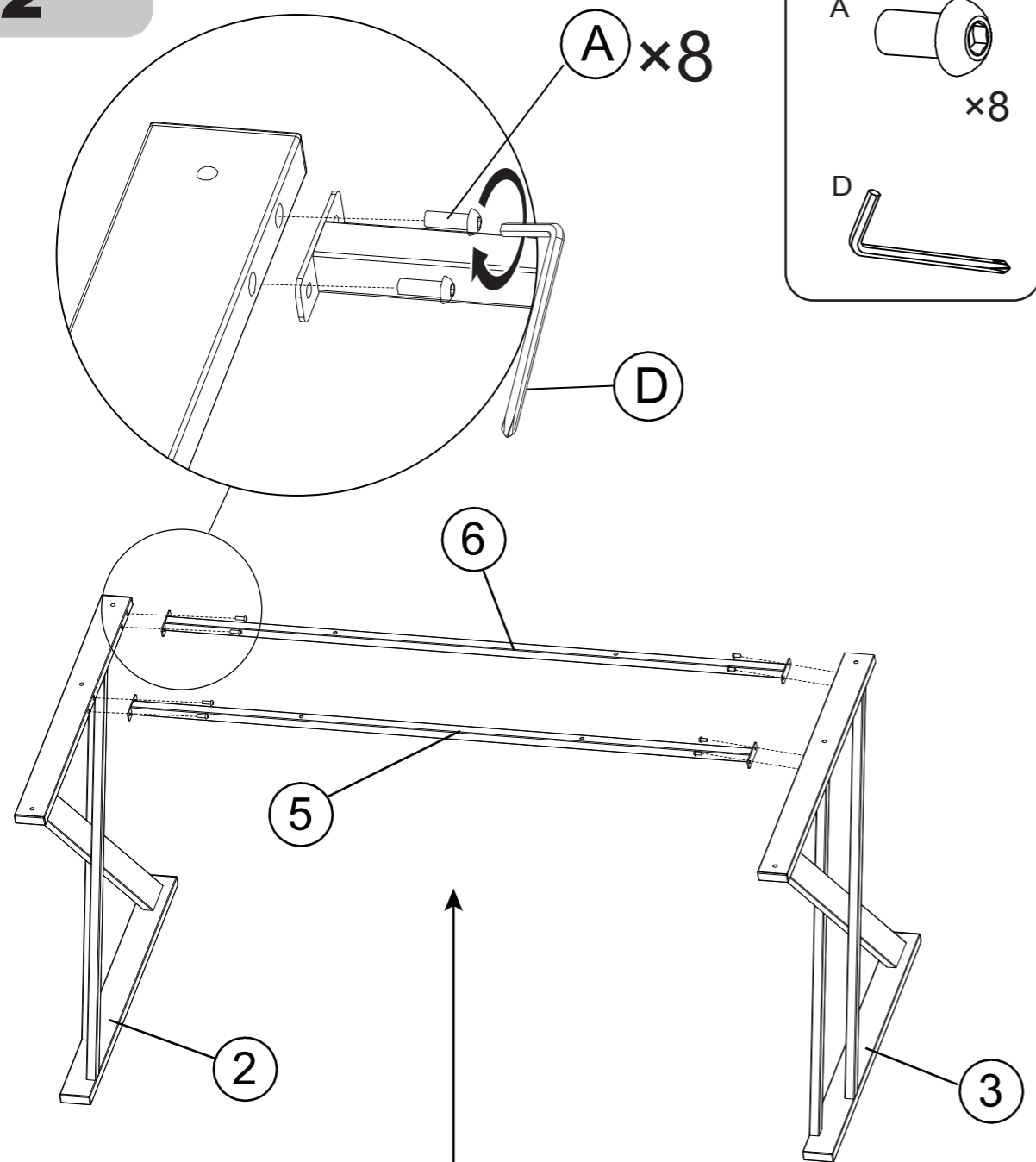


## INSTALLATION STEPS

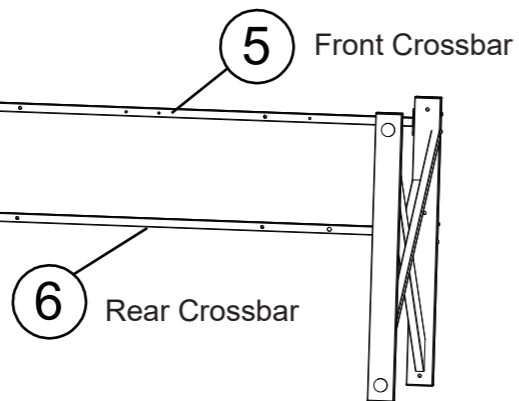
1



**2**



Bottom Image



**3**

**Assemble the support plates on the frame.**

