





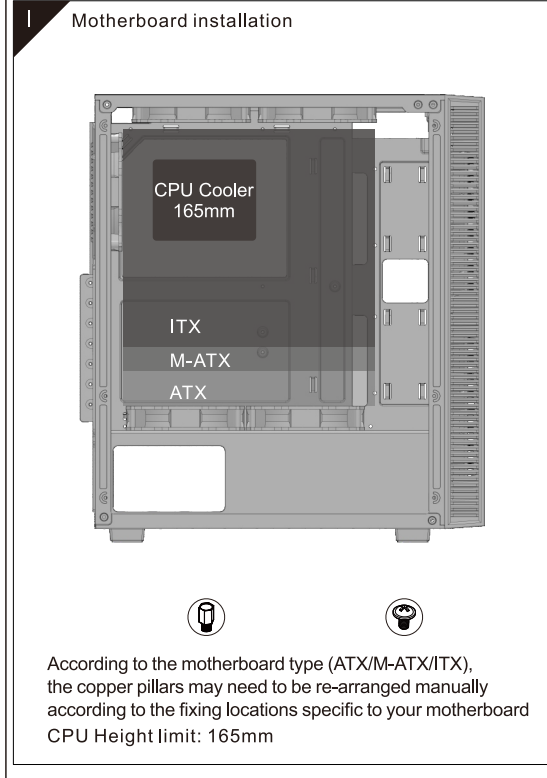
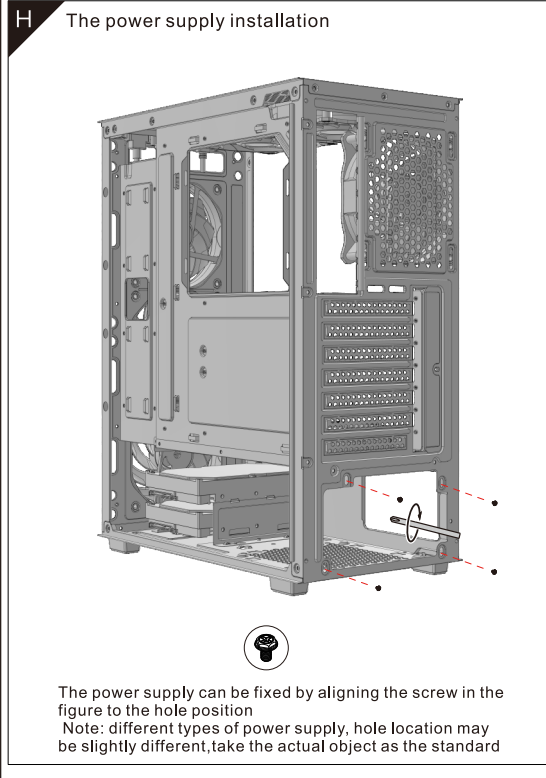
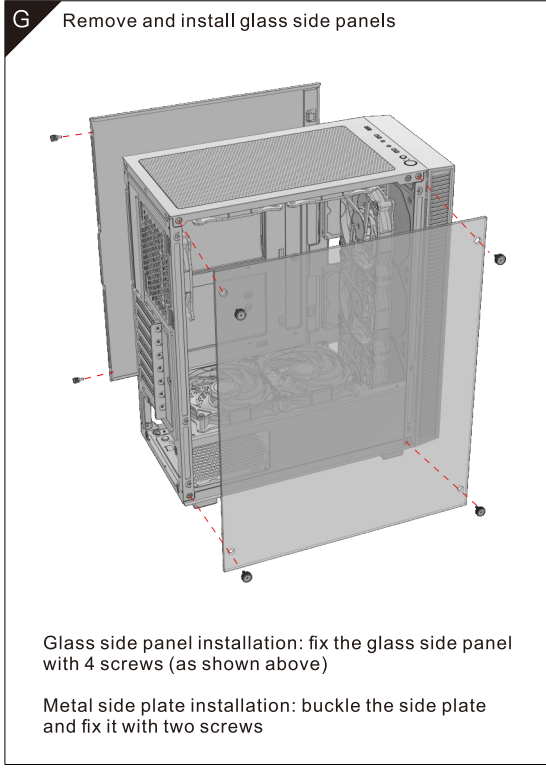
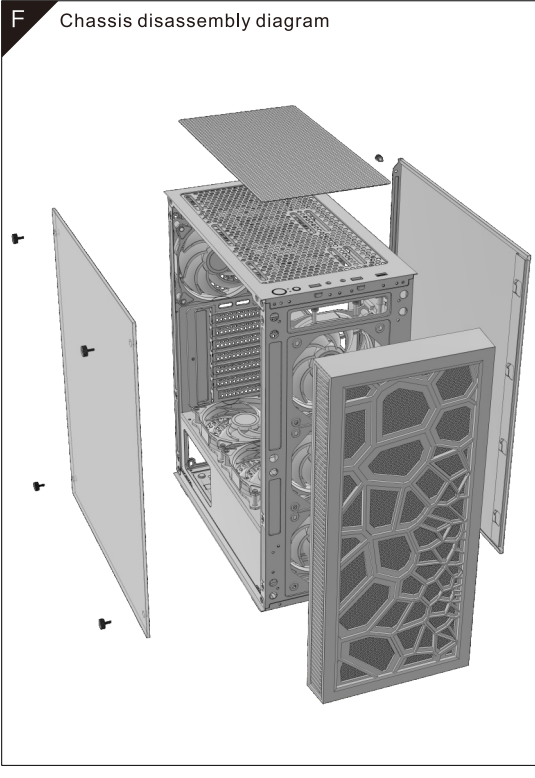
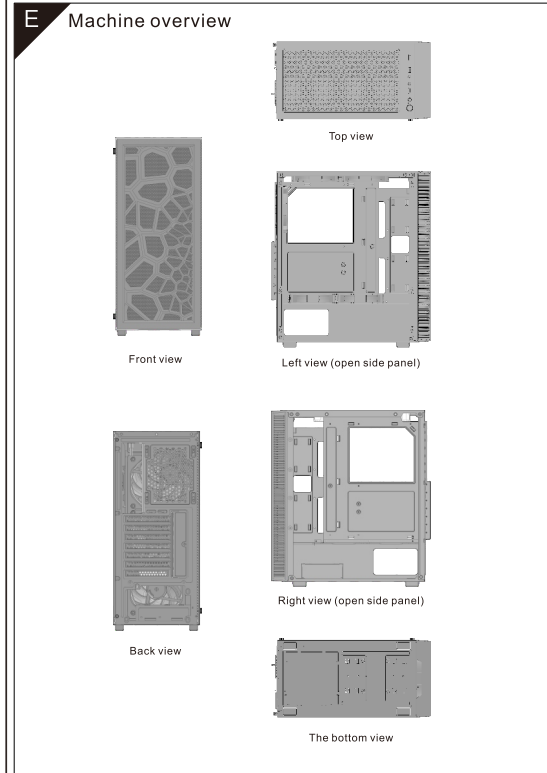
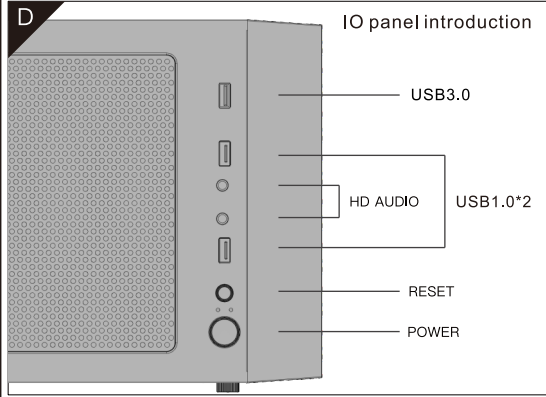
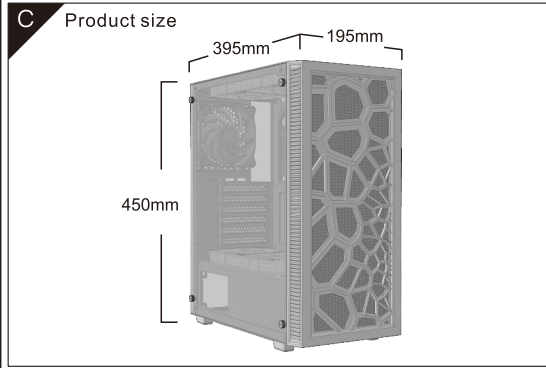
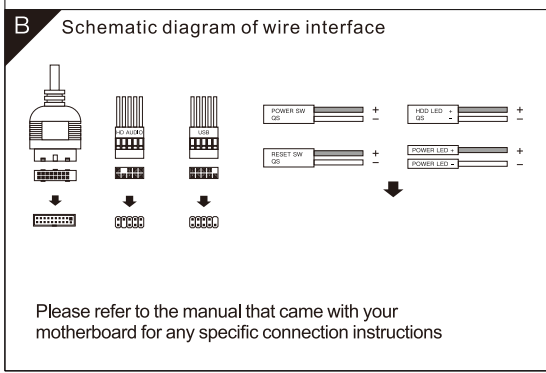


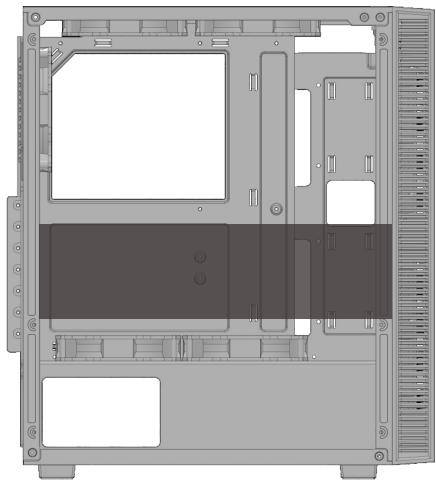
【operating manual】

A Package details

 x18	 x6	 x8
Motherboard screw	The power screw	HDD screw
 x3	 x5	 x1
Copper pillar	Cable Tie	Lock pocket

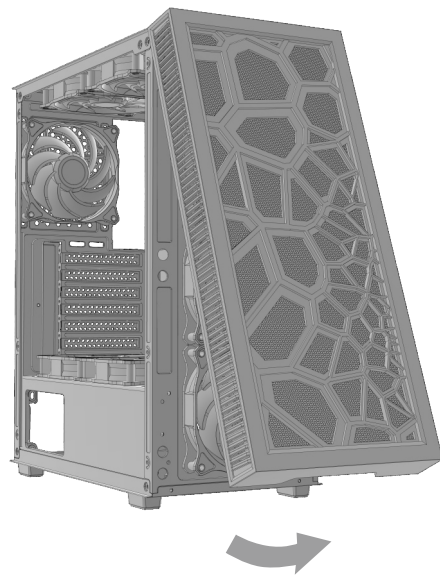


J The graphics card installation



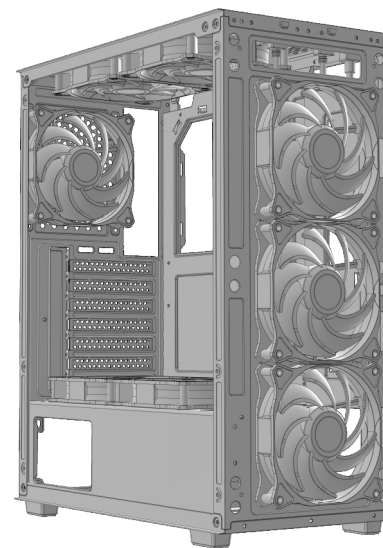
VGA Length: No fan can be installed 330mm,
installed fan 300mm

K Panel disassembly



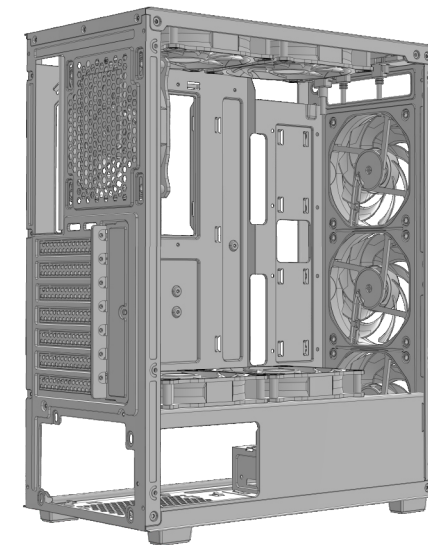
To remove the front panel of the case, pull it by hand,
firmly from the bottom of the panel

L Fan installation



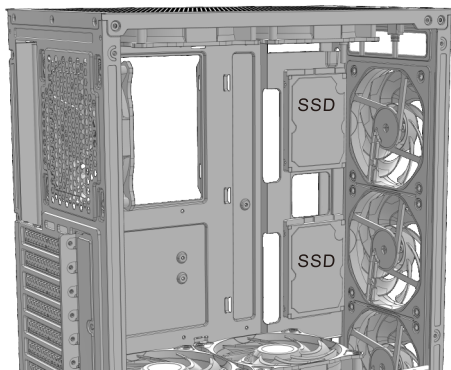
Fan Support: Front: 3 x 120mm(optional)
Top: 2x 120/140mm(optional)
Rear: 1x 120mm(optional)
Bottom: 2x 120mm(optional)

M Water cooling installation



Radiator Support: Front: 240/360mm
Rear: 120mm

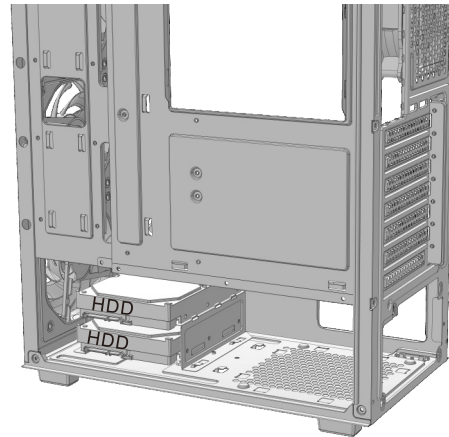
N SSD installation



2*SSD

Align the screw holes of the hard disk with the hard disk
bracket and fix it with special screws.

O HDD installation



2*HDD

Align the screw holes of the hard disk with the hard disk
bracket and fix it with special screws.