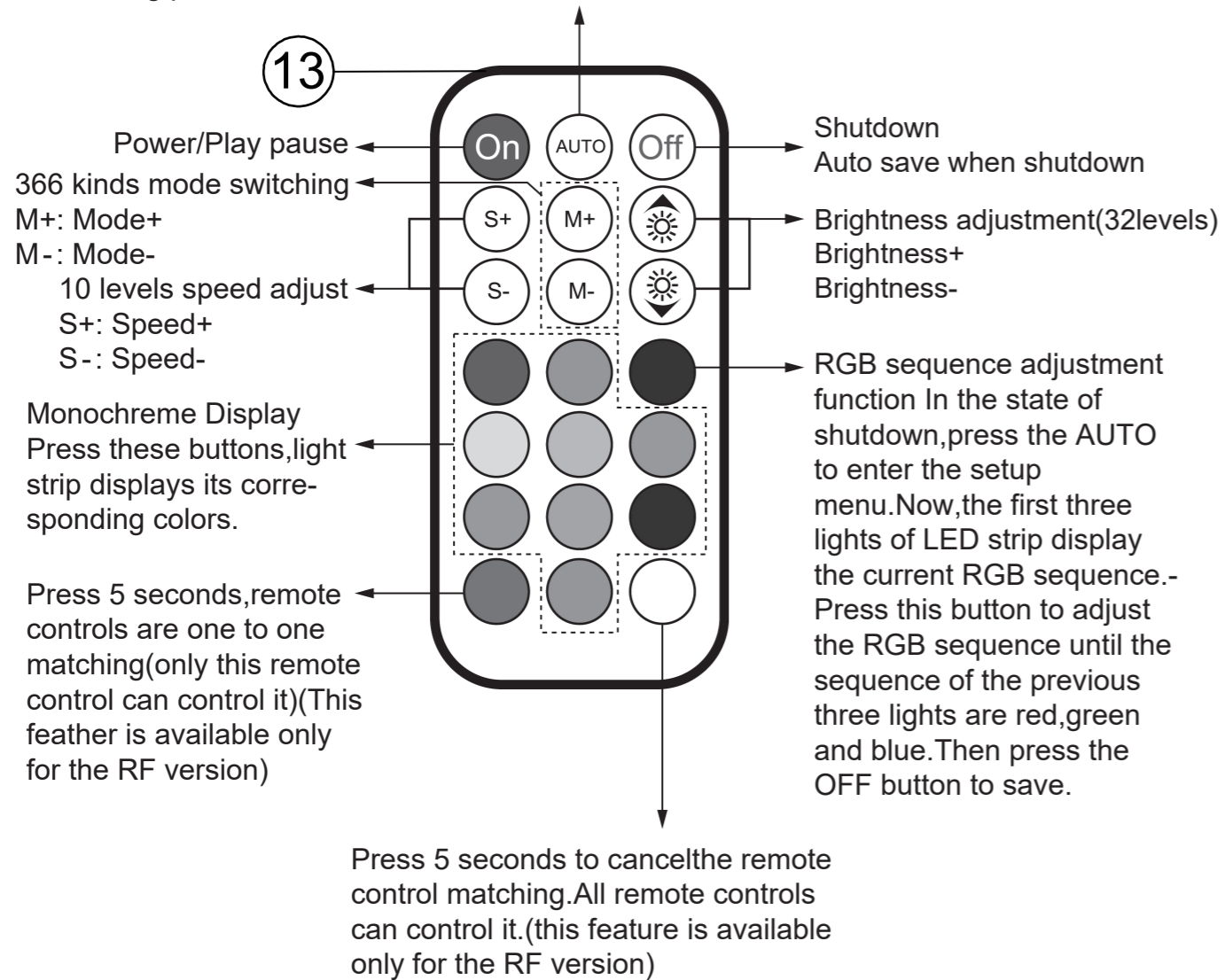


INSTRUCTIONS FOR THE USE OF REMOTE

Auto play 366 Modes

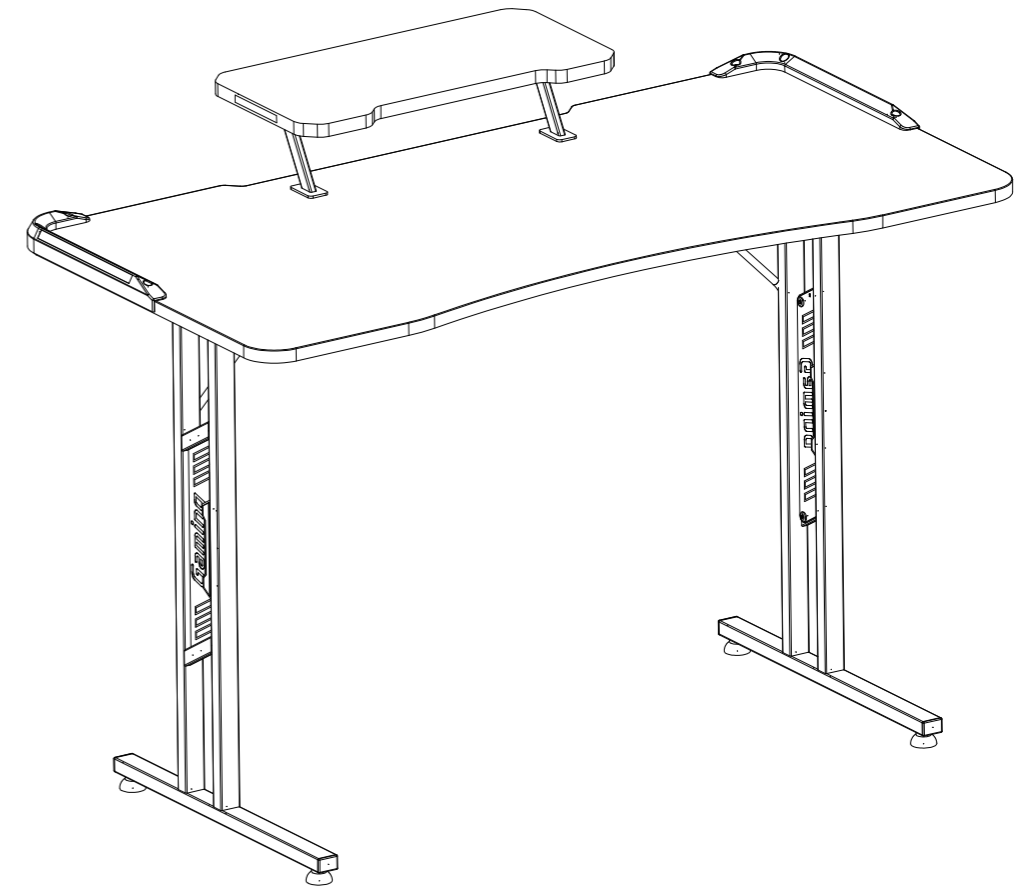
In the off state, press this button to enter the setuo menu, then press the M+ or M- to adjust LED pixels. Press the bule button to adjust the RGB sequence. After complete setting, press OFF to save/exit.



Gaming Desk

MOUNTING INSTRUCTIONS

kg ≤80kg
LB (≤176.4lbs)



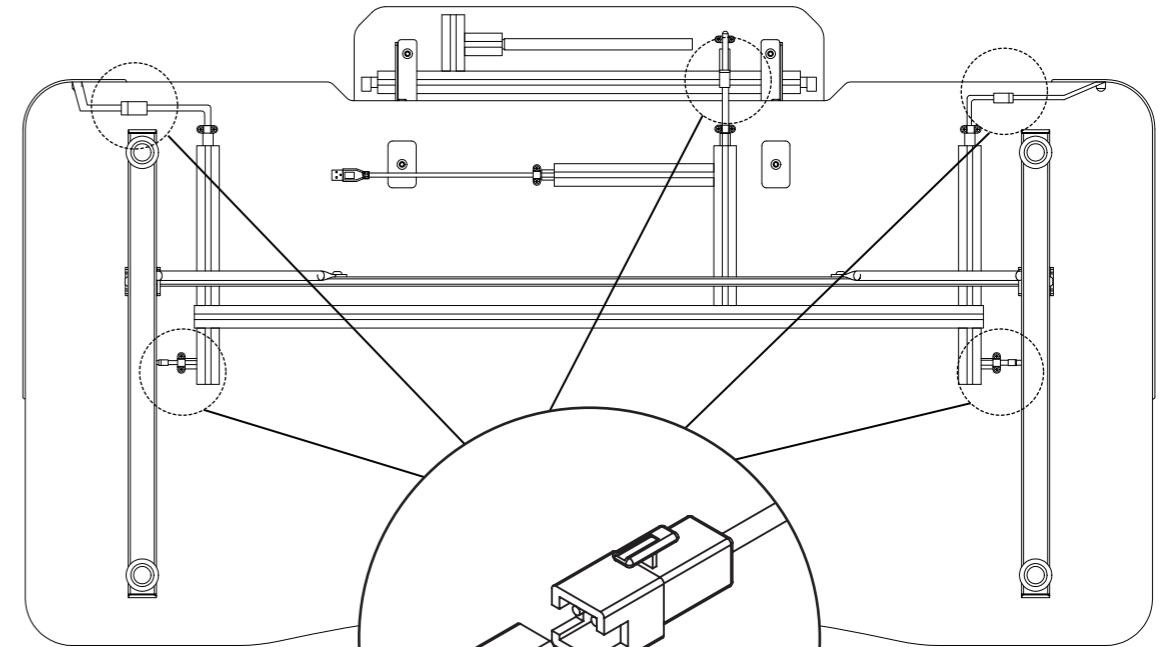
CAUTION

DO NOT EXCEED MAXIMUM LISTED WEIGHT CAPACITY. SERIOUS INJURY OR PROPERTY DAMAGE MAY OCCUR.

PARTS LIST

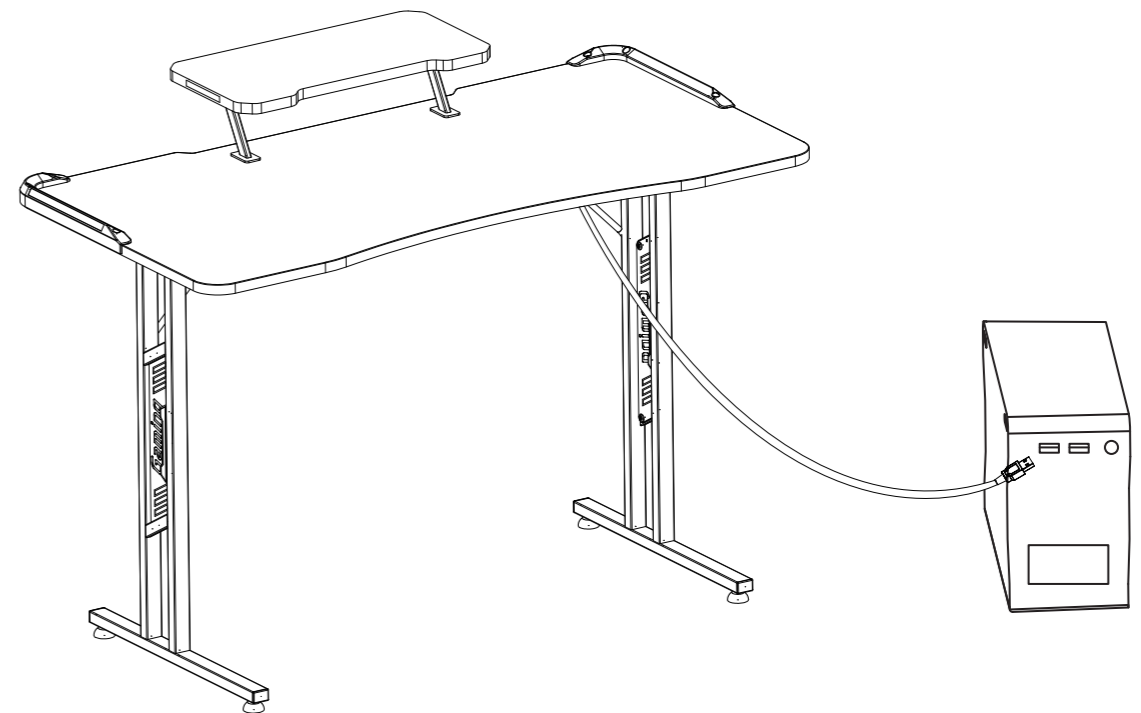
① Tabletop (x1)	② Left leg (x1)	③ Right leg (x1)		
④ Crossbar (x1)	⑤ Bracing (x2)	⑥ Feets (x4)		
⑦ Small tabletop (x1)	⑧ Small platform supports left (x1)	⑨ Small platform supports right (x1)		
⑩ Left light controller(x1)	⑫ Fixed sheet metal(x2)	⑬ Remote control (x1)		
⑪ Right light controller(x1)				
A M6×12mm (x8)	B M6×30mm (x2)	C M6×35mm (x6)	D M5×12mm (x6)	E S=4mm (x1)

5

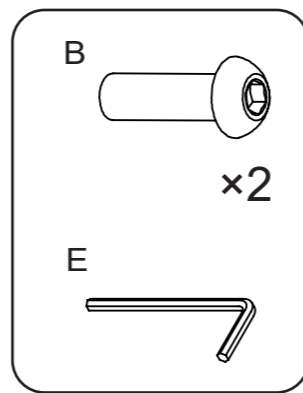
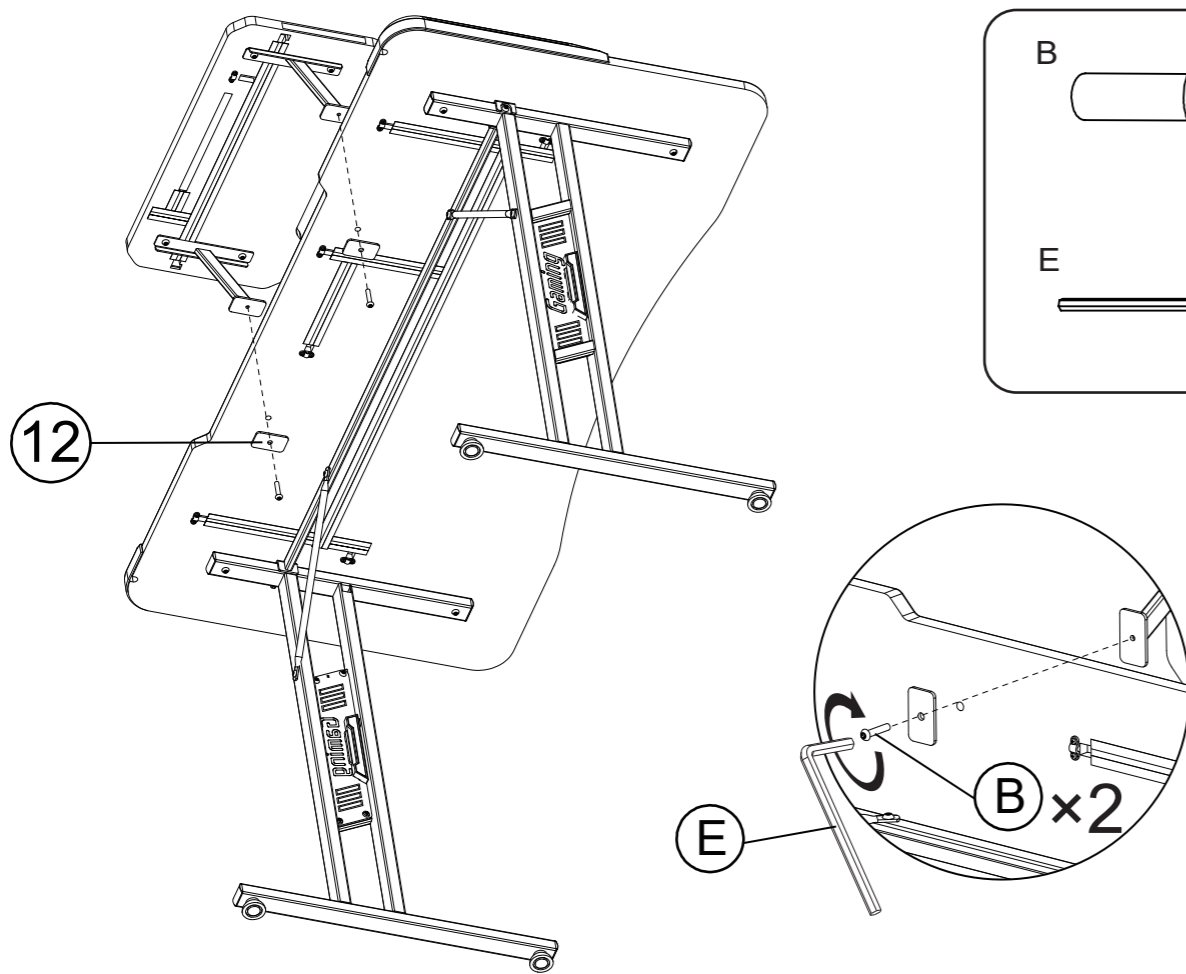
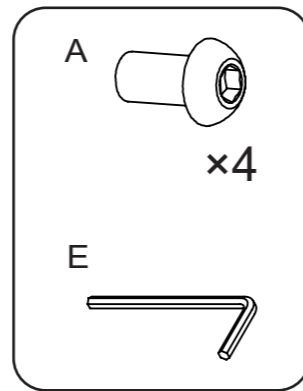
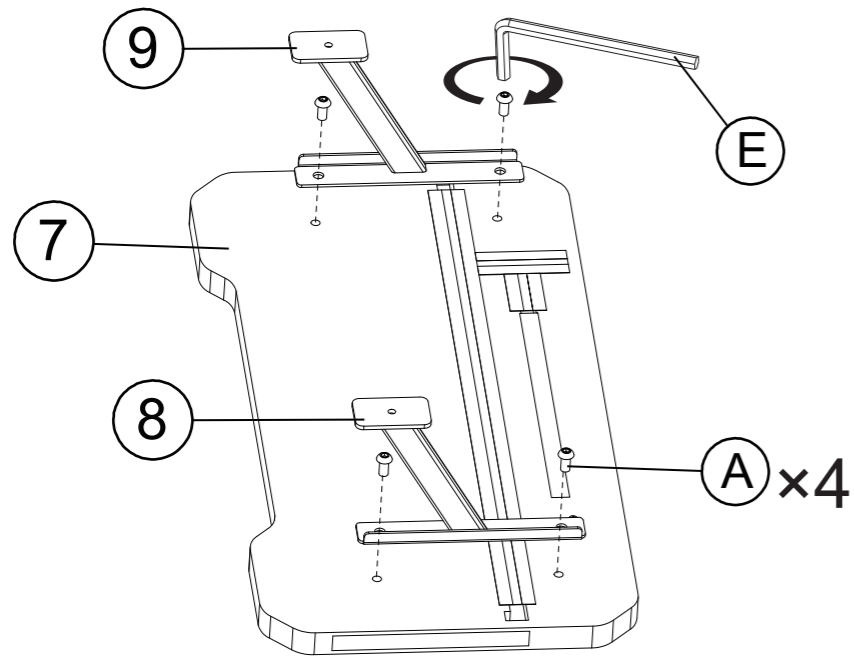


Connect power lines

Connecting the computer case.

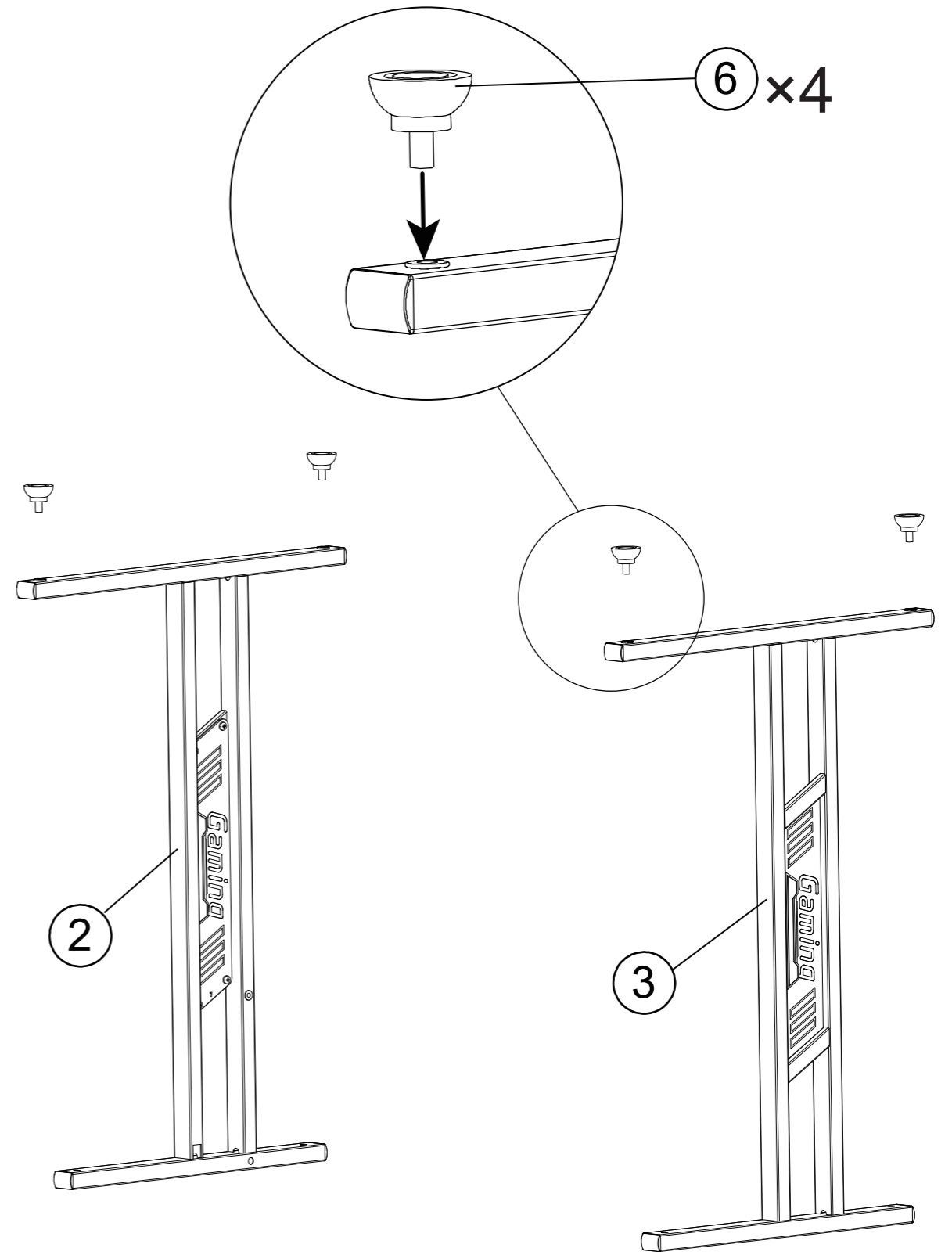


4

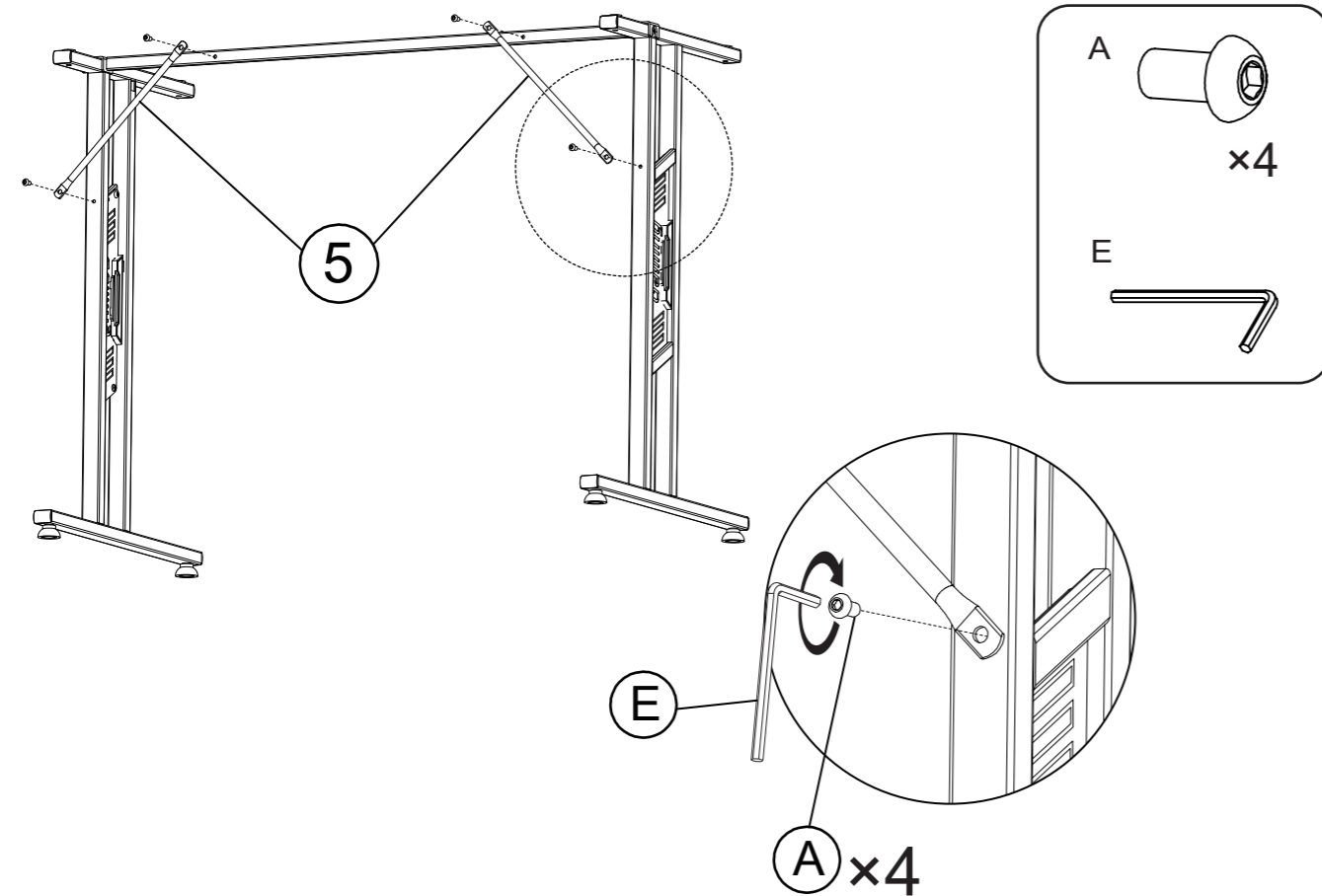
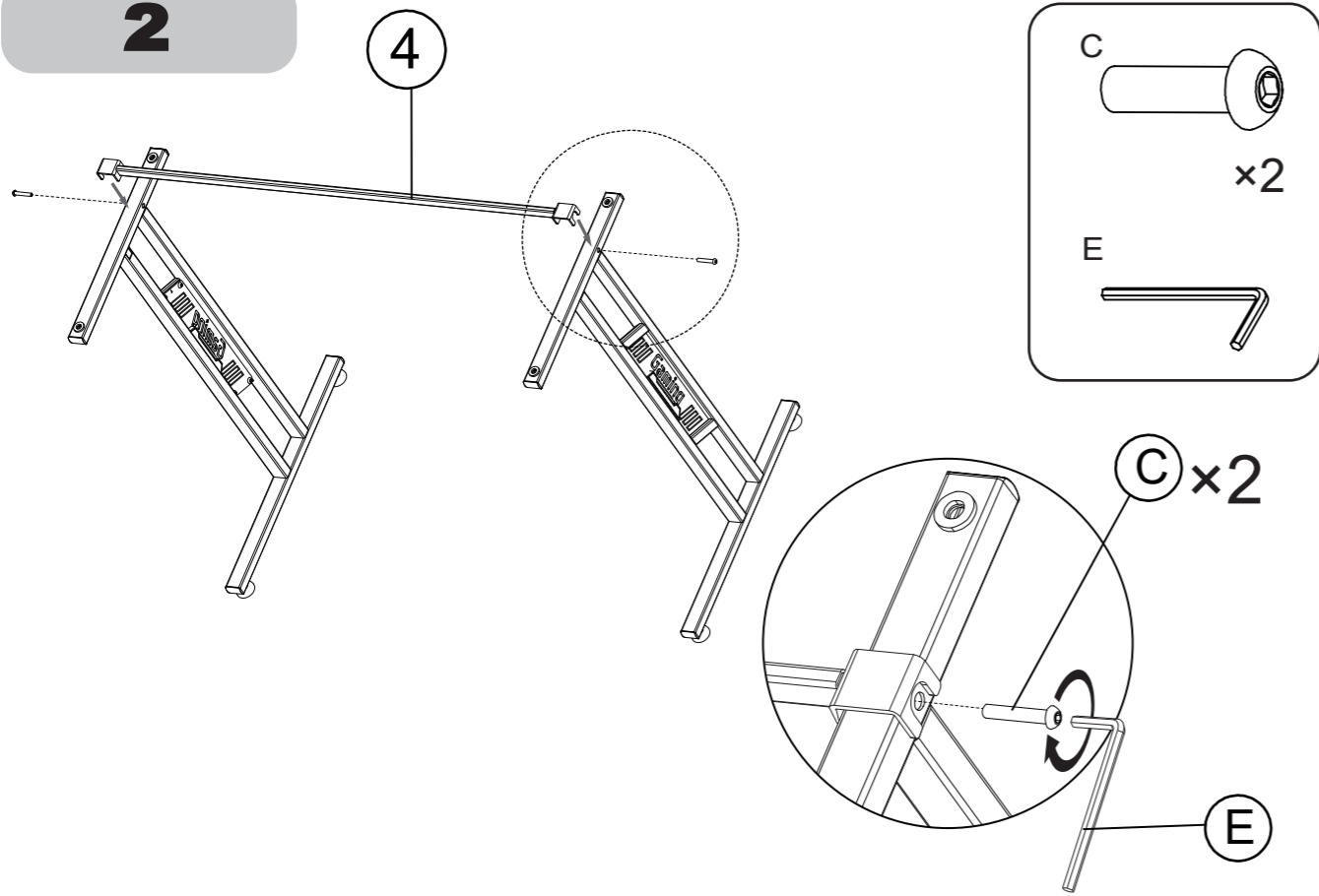


INSTALLATION STEPS

1



2



3

