







TWISTED MINDS

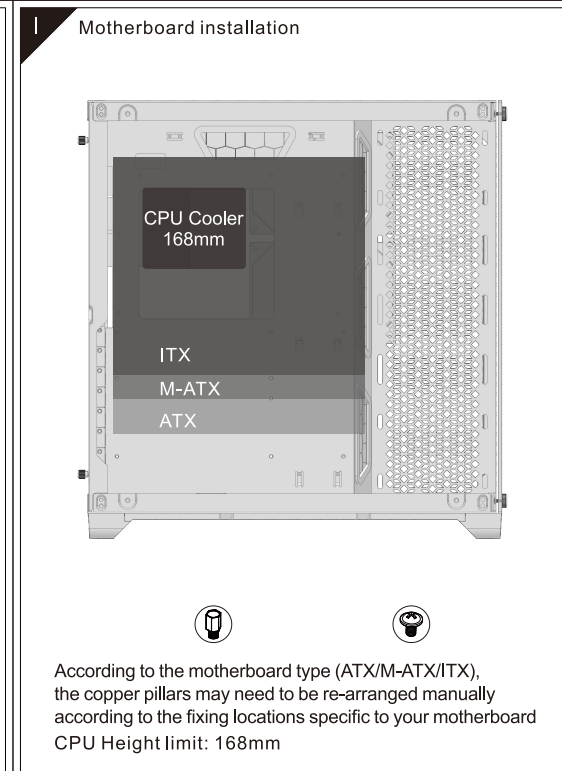
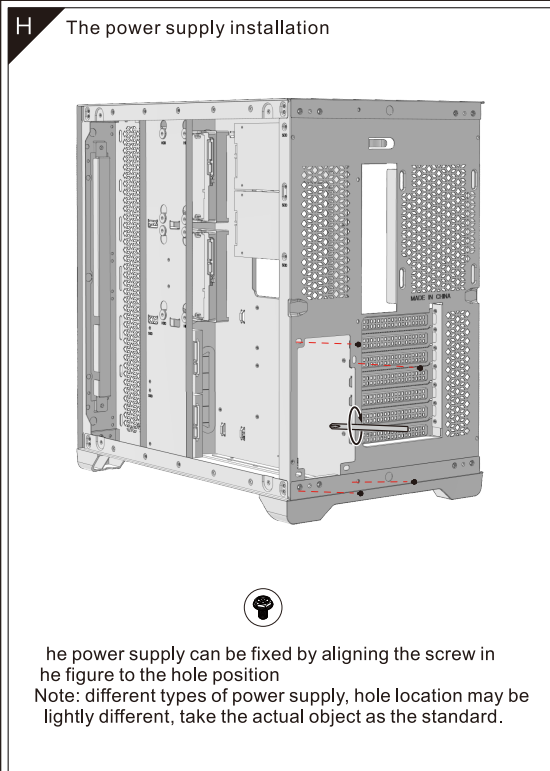
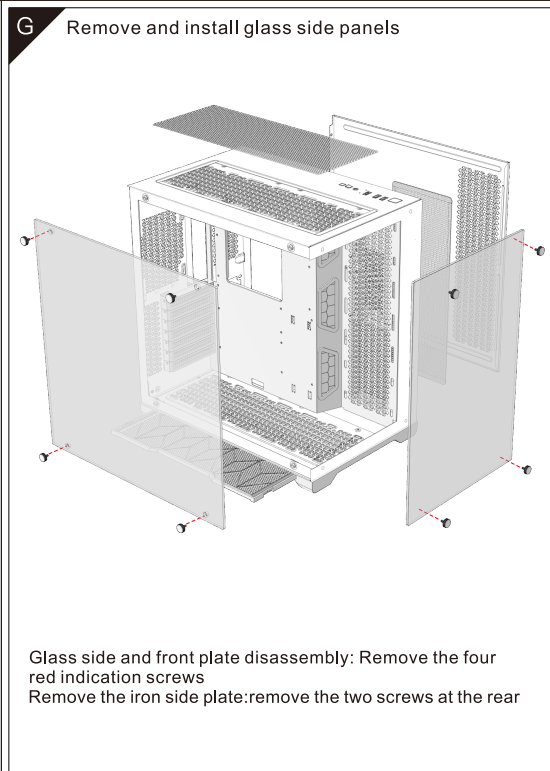
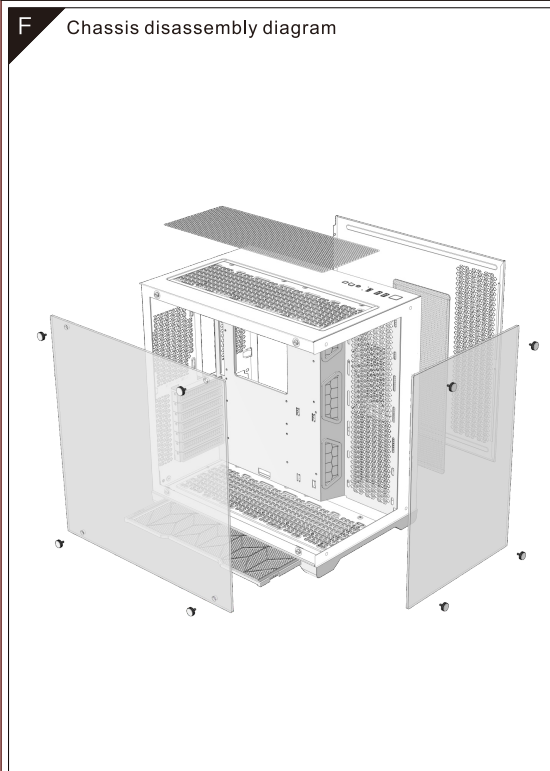
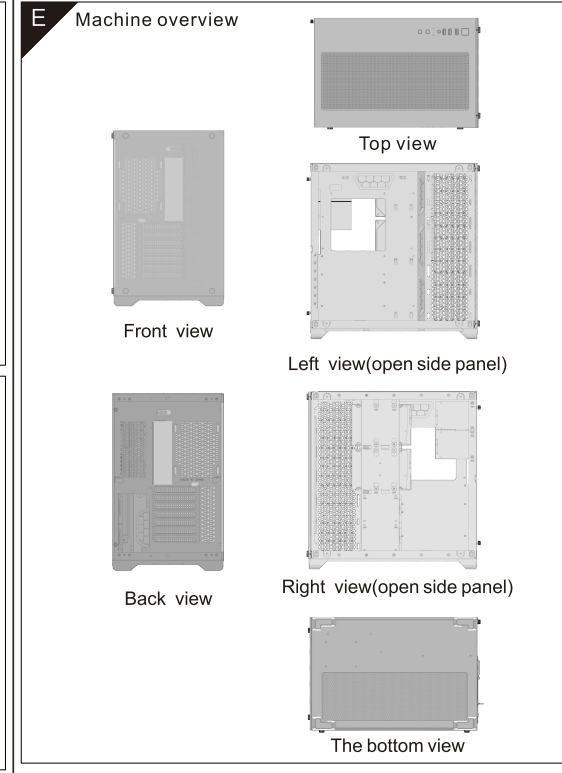
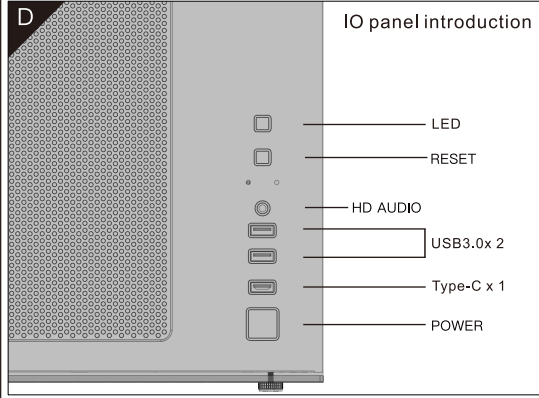
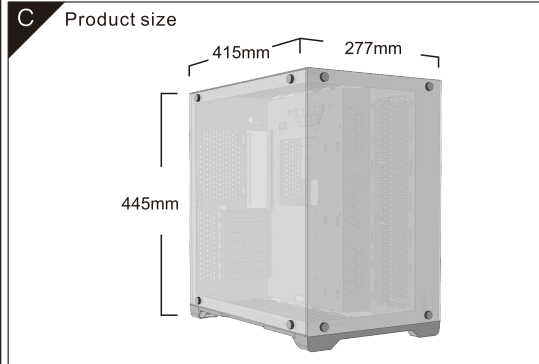
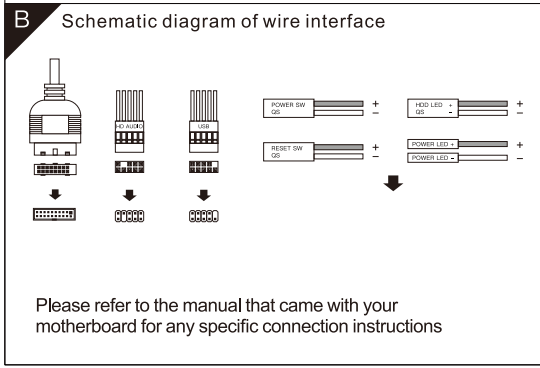
ALL RULES BROKEN

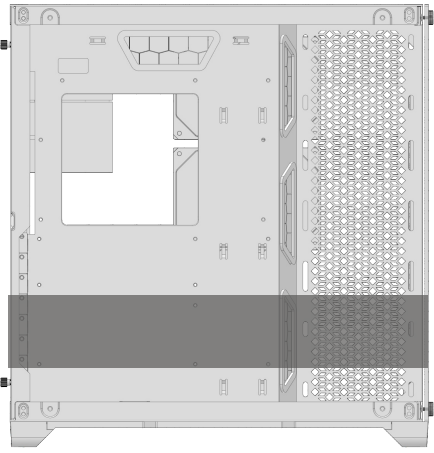
TM1-B-S TM1-W-S

【operating manual】

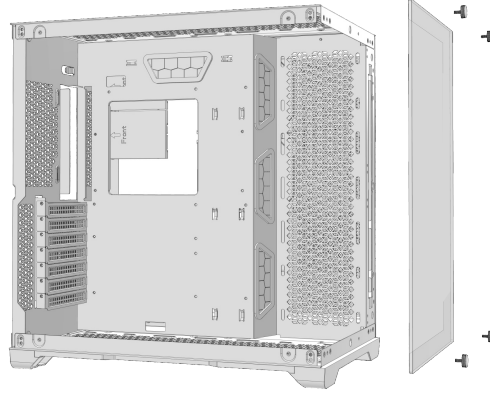
A Package details

 x10	 x5	 x4
Main board screw	The power screw	HDD screws
 x8	 x3	 x1
HDD screw	Copper pillar	Lock pocket (65*55mm)

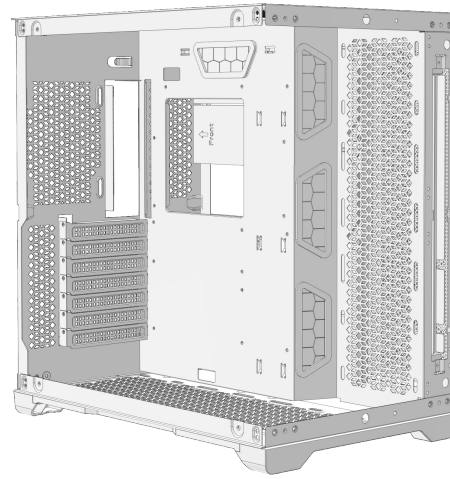




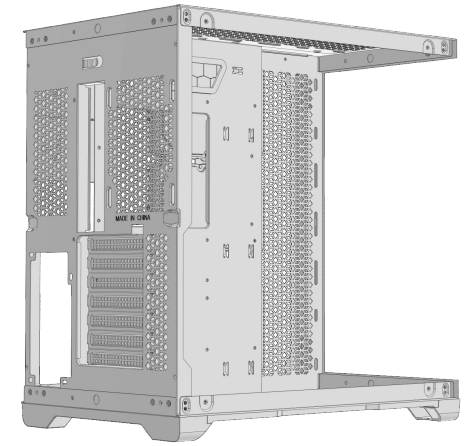
VGA Length: No fan can be installed 380mm,
installed fan 350mm



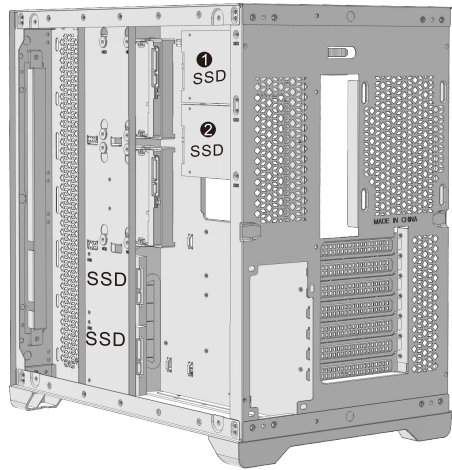
Installation: Fit the panel to the front panel and fix it with four screws
Removal: Unscrew the screws from the front panel



Fan Support: Top: 3x 120mm
Rear: 1x 120mm
Power cover: 3x 120mm
MBO bracket: 3x 120mm

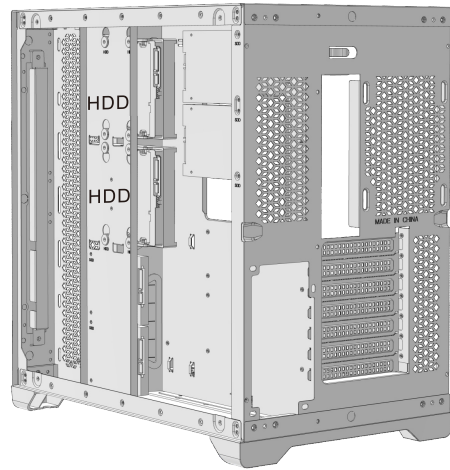


Radiator Support: Rear: 120mm
Top: 120/240/280/360mm
Motherboard: 120/240mm



4*SSD

Push the SSD into the slot, align the screw holes, and lock the 4 screws
(NOTICE : 1.2 SSD only need lock 2 screws , as the picture)



2*HDD

Push the HDD into the slot, align the screw holes, and lock the 4 screws



Magnetic suction mesh at the bottom can be pulled

TWISTED MINDS
ALL RULES BROKEN