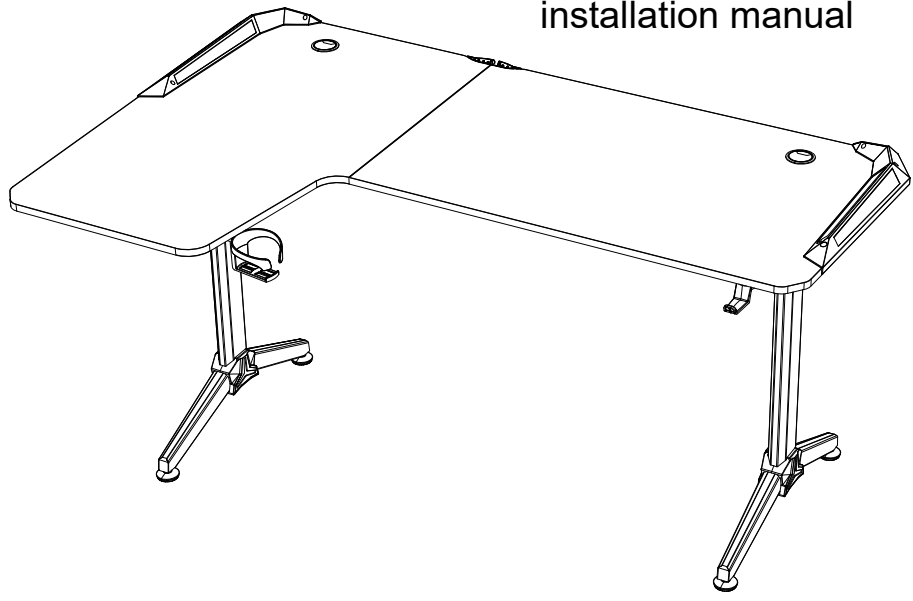
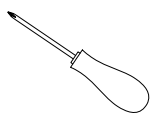





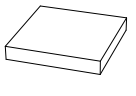


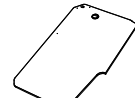
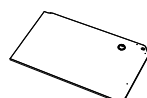
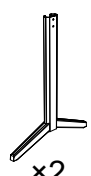
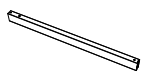

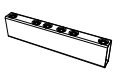
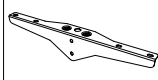


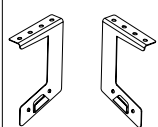
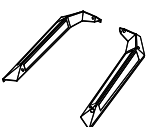

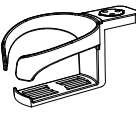
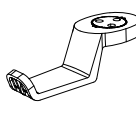

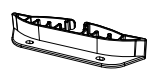
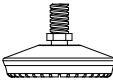
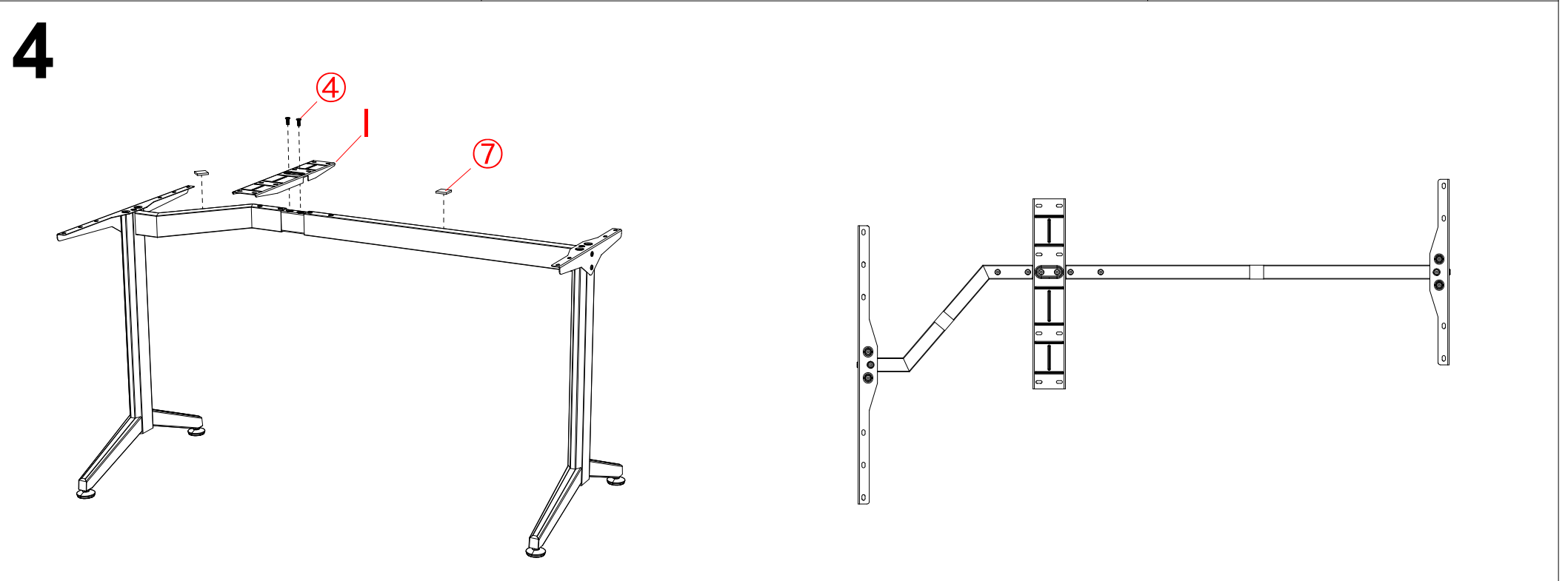
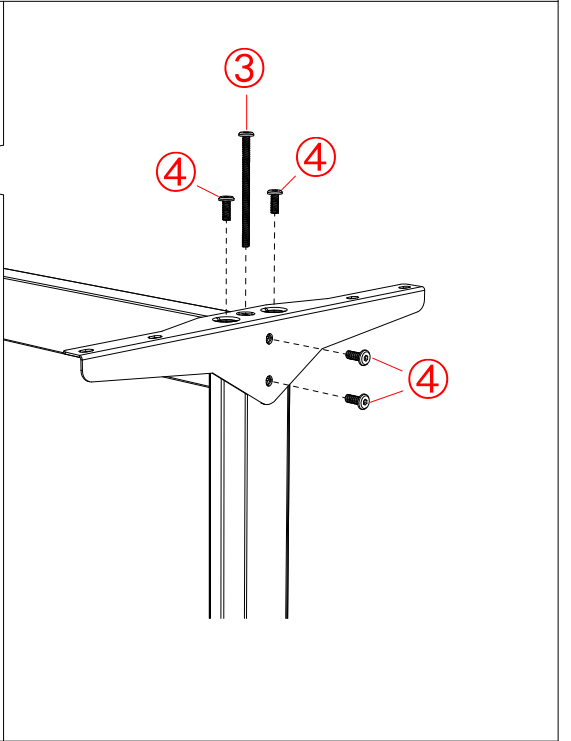
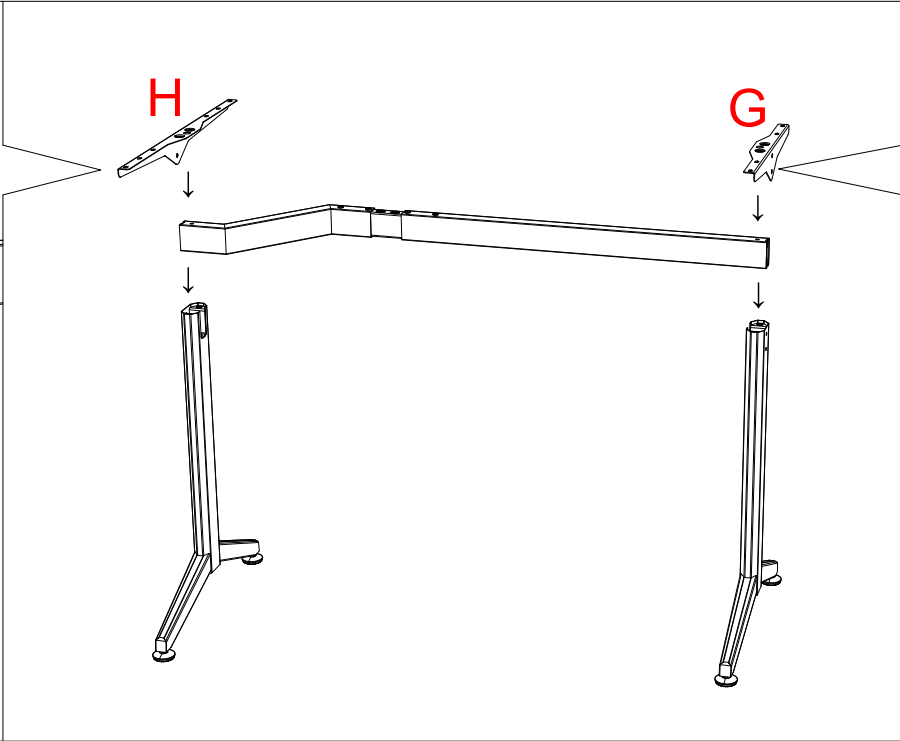
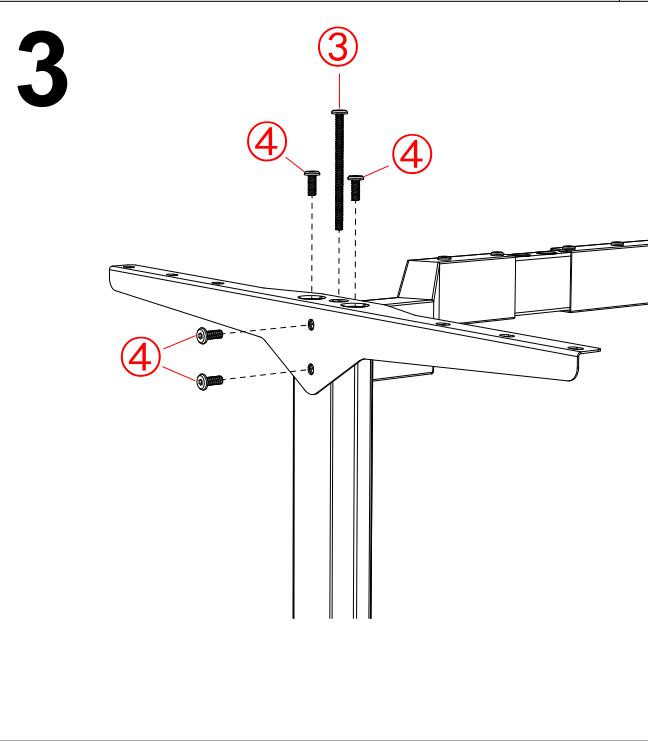
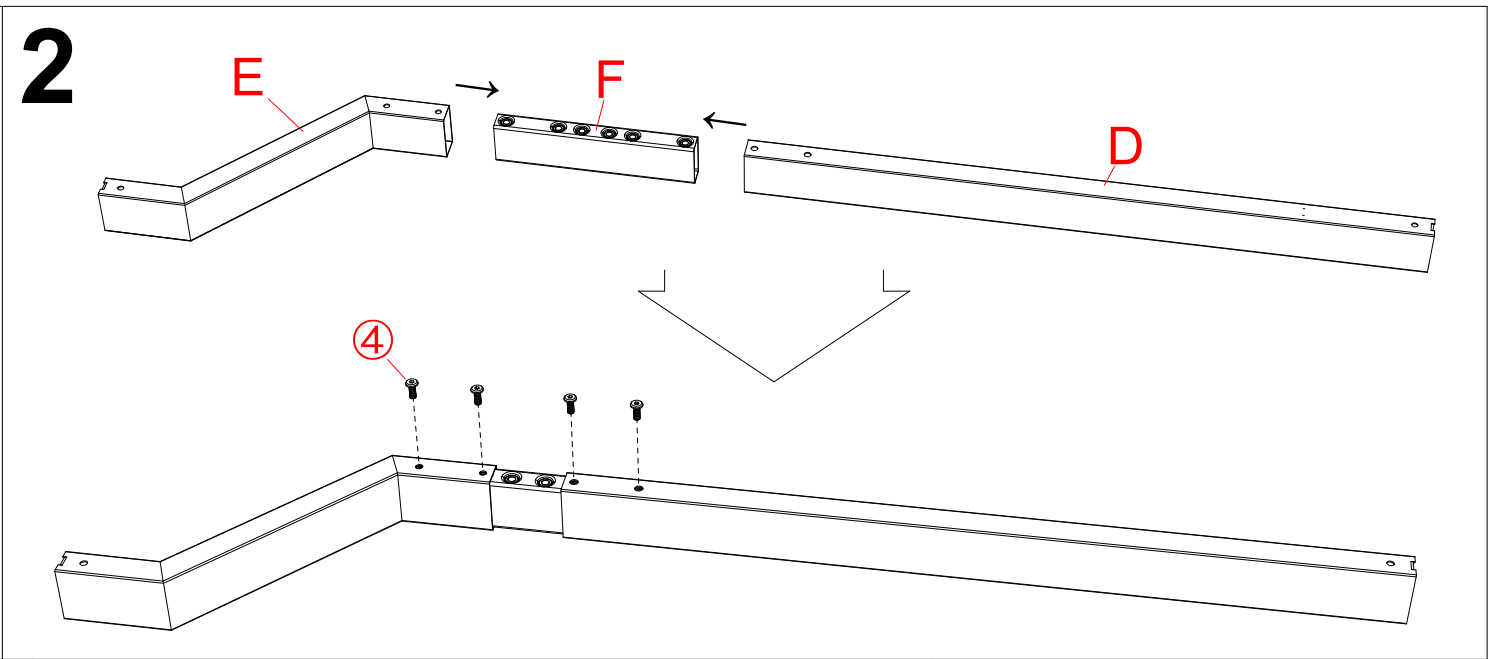
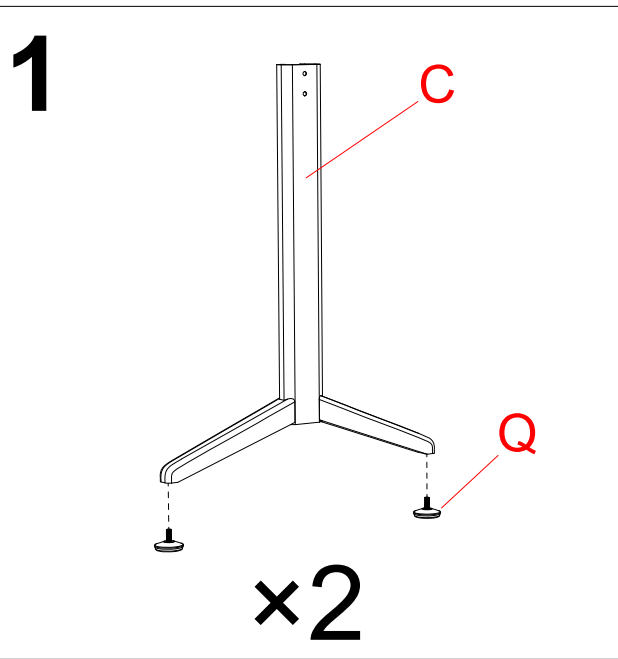


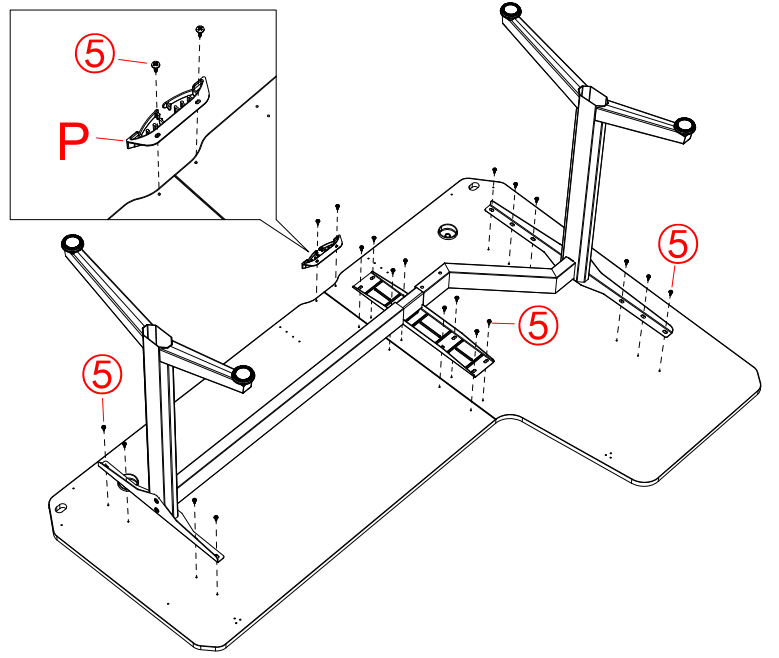
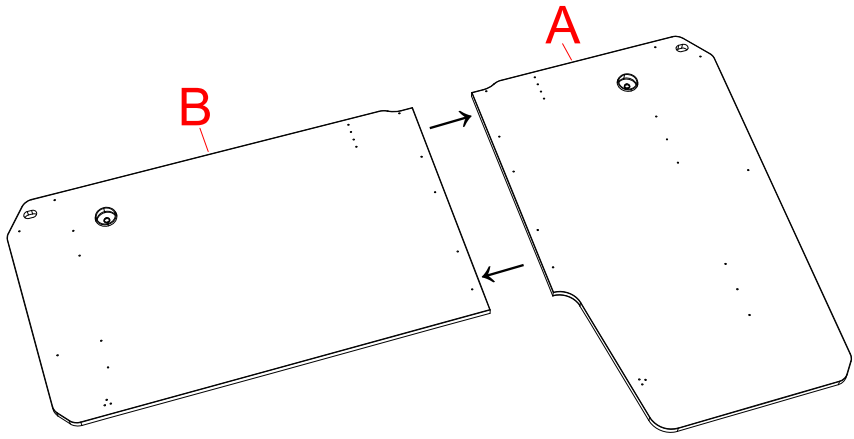
HY-L(2) Gaming Desk
installation manual



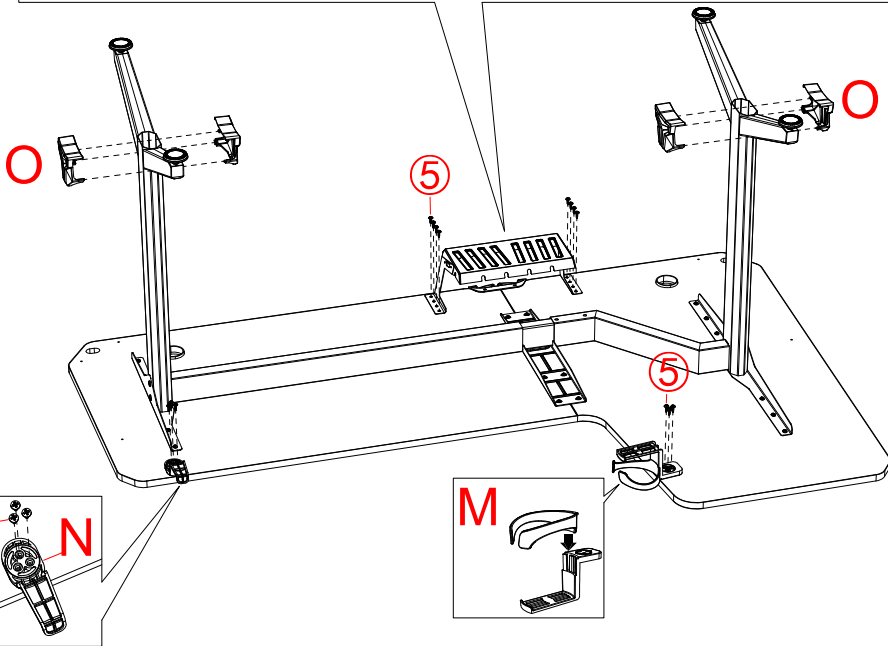
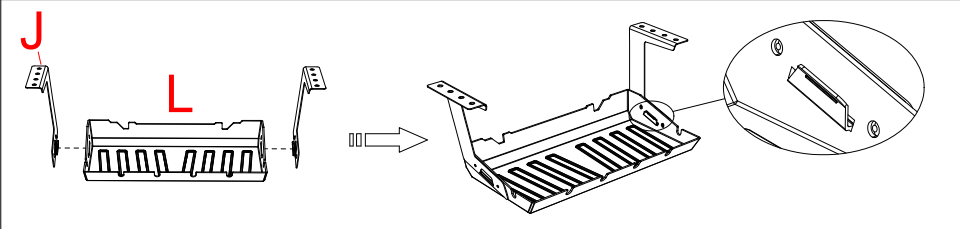
①  x1	②  M4 x1	③  M6×90 x2	④  M6×16 x14	⑤  M4(TA)×14 x34	⑥  M4(TA)×16 x6	⑦  x2
⑧  x5	⑨  x1	A  x1	B  x1	C  x2	D  x1	E  x1
F  x1	G  x1	H  x1	I  x1	J  x2	K  x2	L  x1
M  x1	N  x1	O  x2	P  x1	Q  M8 x4		



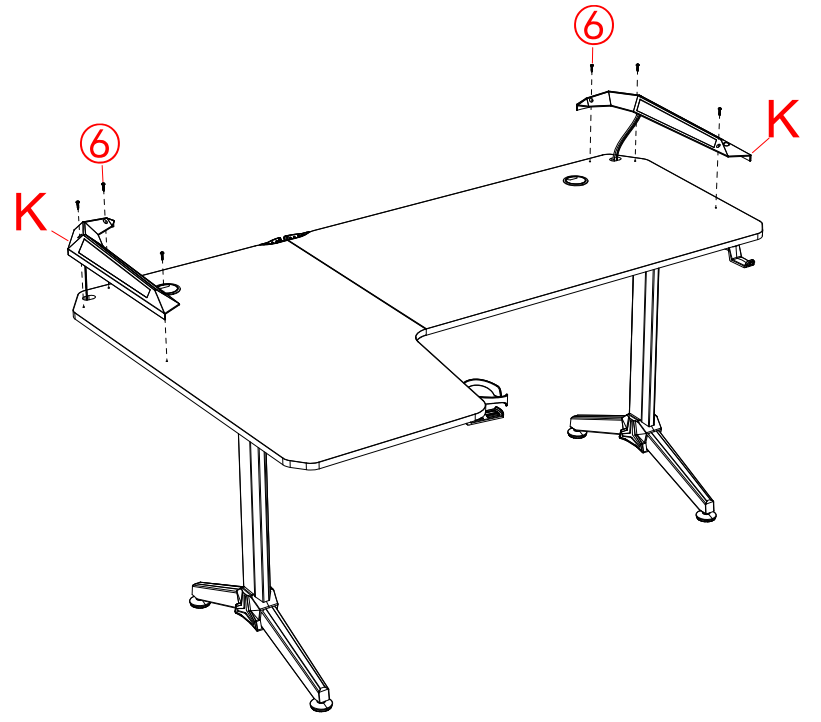
5



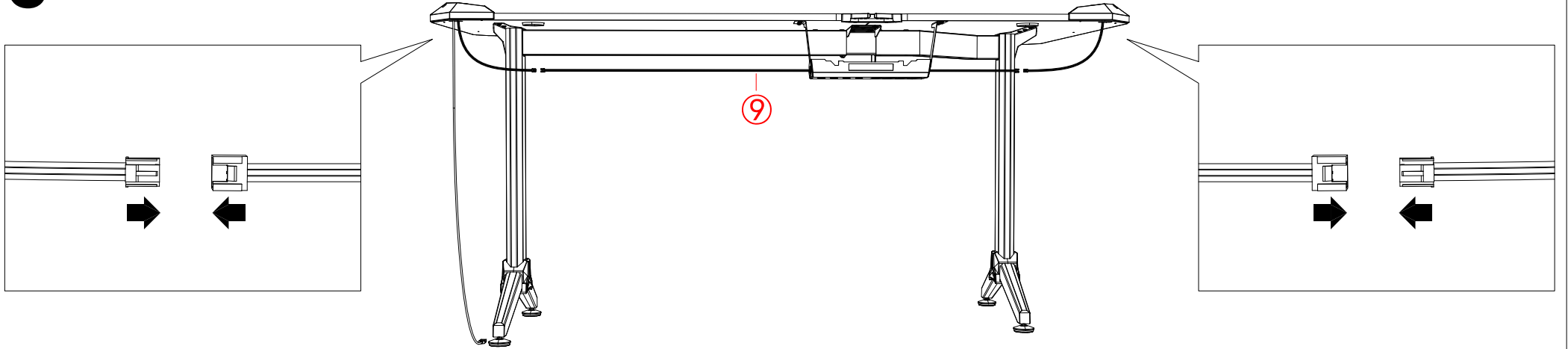
6



7



8



9

