





TWISTED MINDS

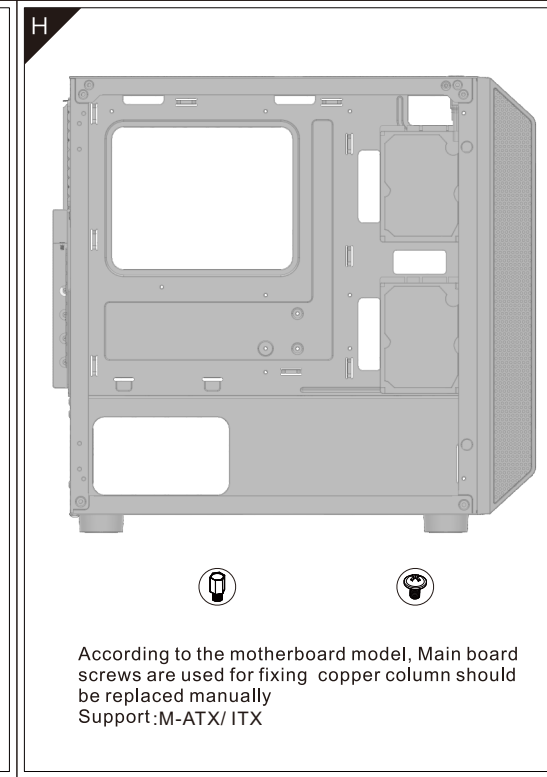
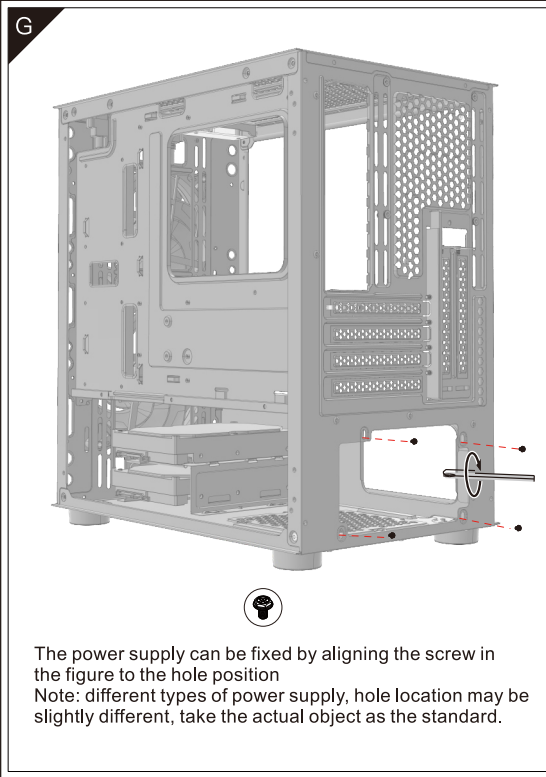
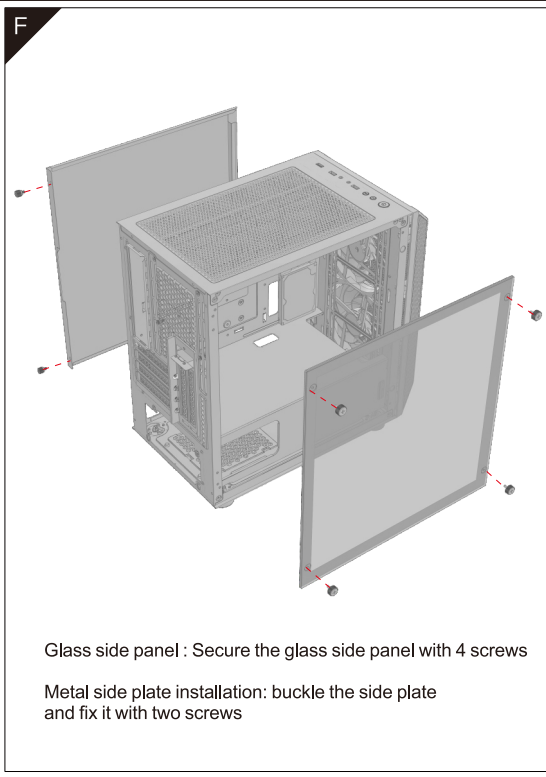
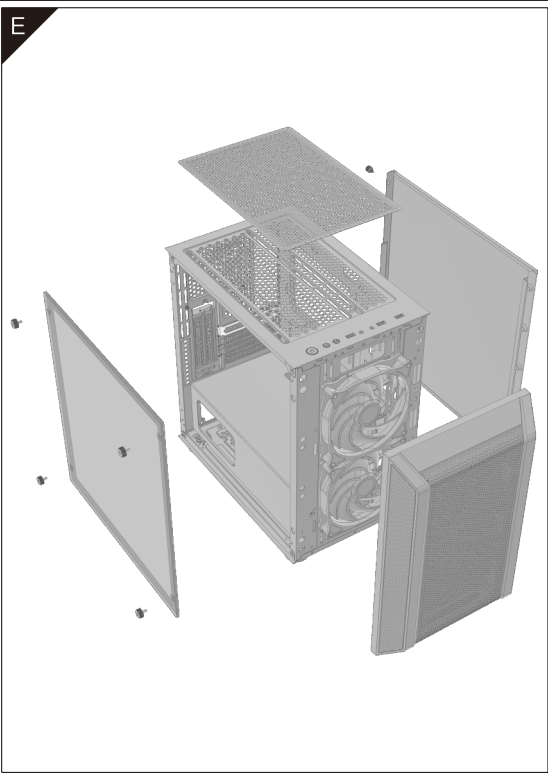
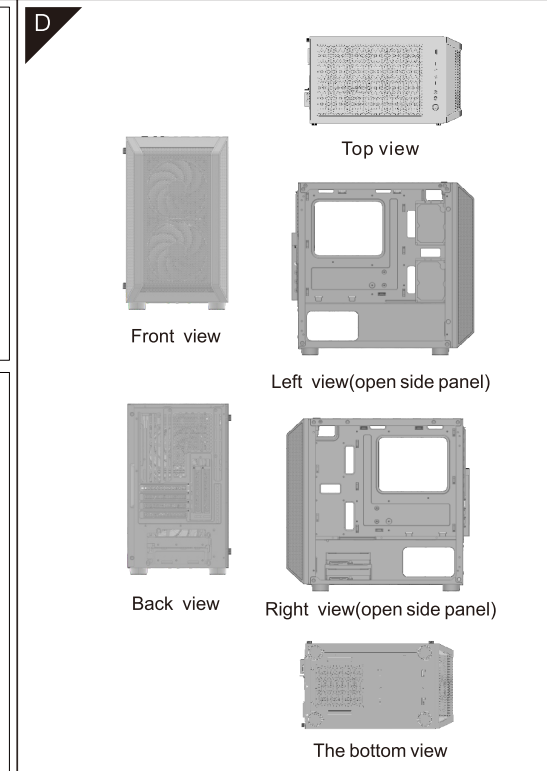
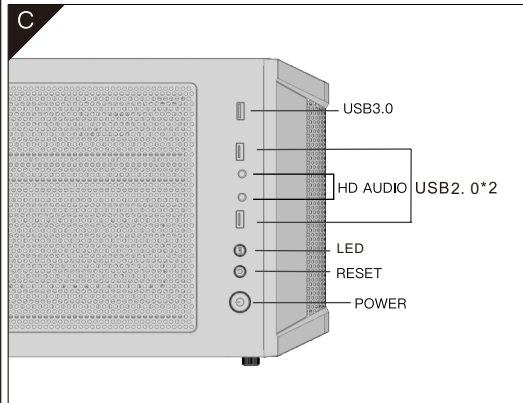
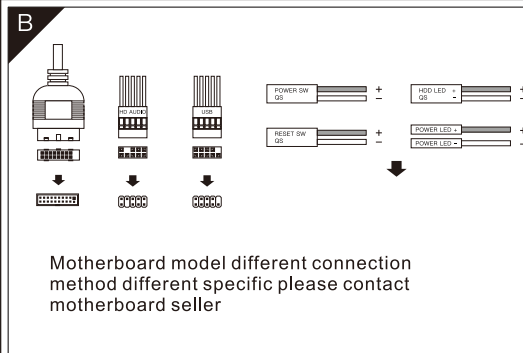
ALL RULES BROKEN

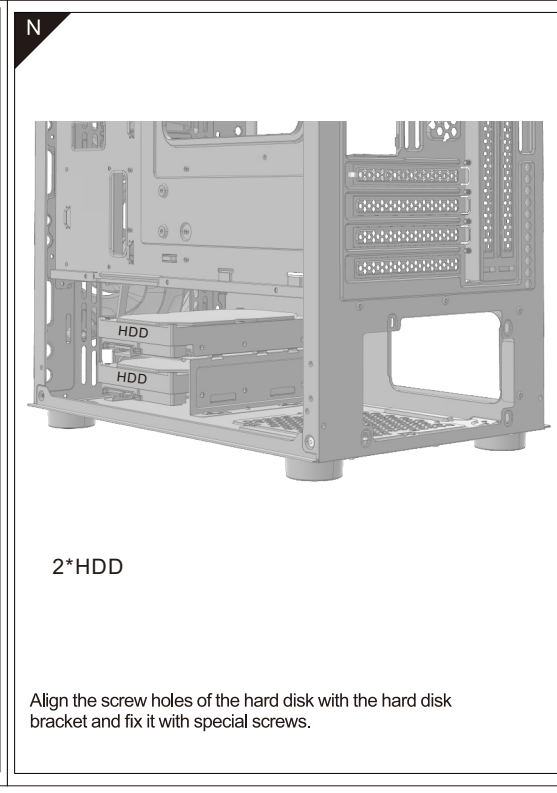
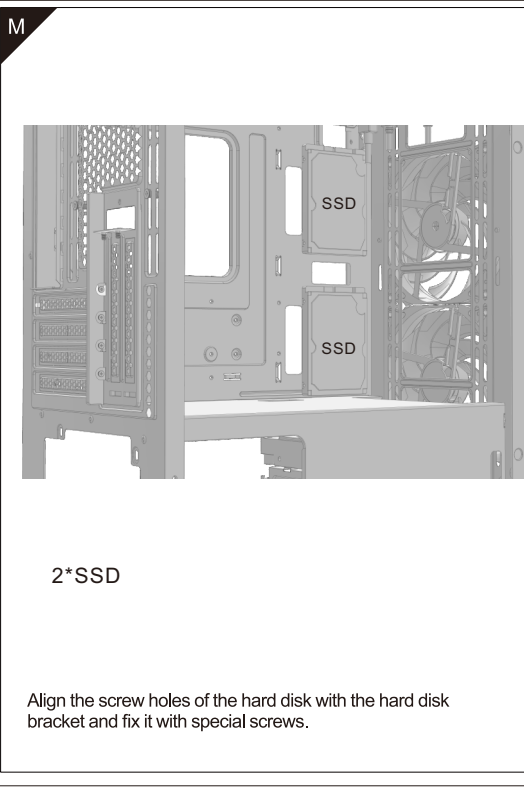
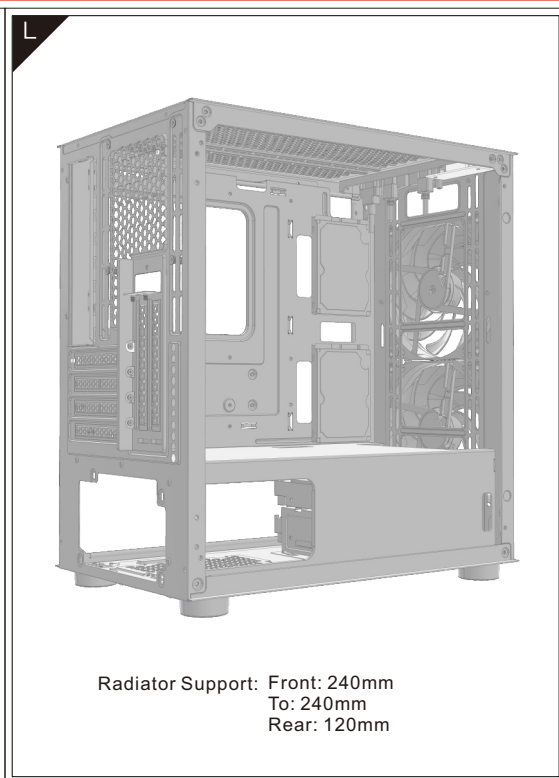
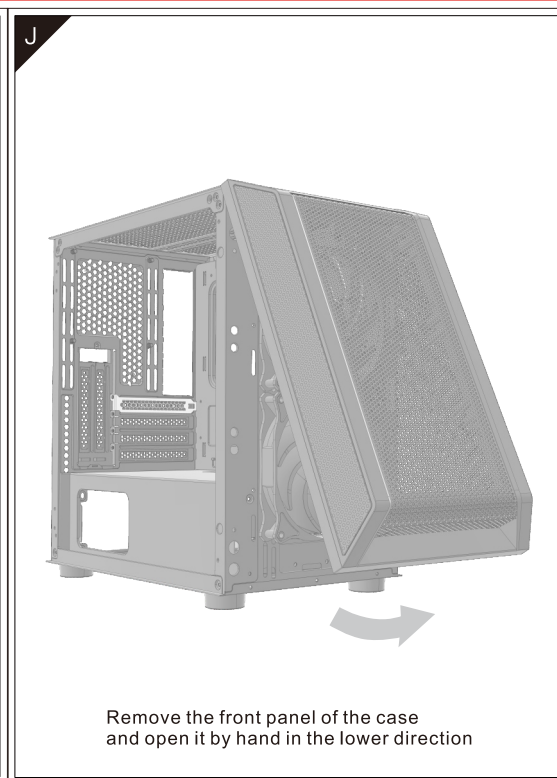
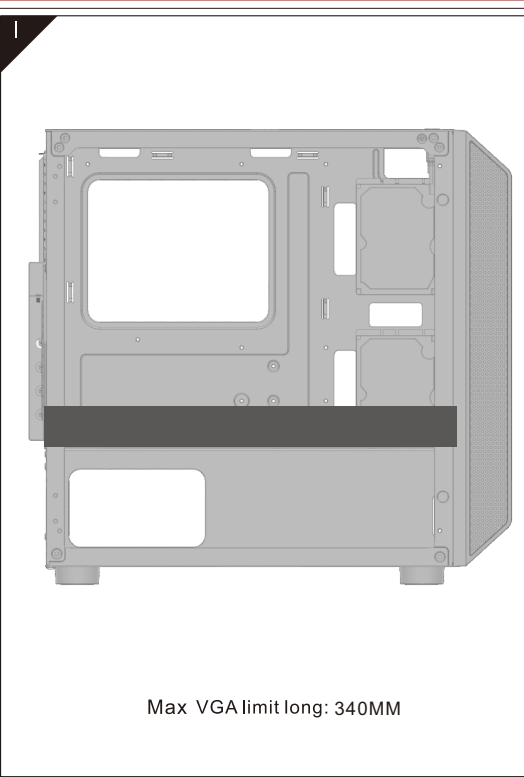
TM-SP-M2

【operating manual】

- A: Package details
- B: Schematic diagram of wire interface
- C: IO panel introduction
- D: Machine overview
- E: Chassis disassembly diagram
- F: Remove and install glass side panels
- G: The power supply installation
- H: Motherboard installation
- I: The graphics card installation
- J: Panel disassembly
- K: Fan installation
- L: Water cooling installation
- M: SSD installation
- N: HDD installation

 x18 Main board screw	 x 6 The power screw	 x 9 HDD screws
 x 3 Copper pillar		





TWISTED MINDS
ALL RULES BROKEN