

TWISTED MINDS

ALL RULES BROKEN



Assembly Instruction

1

(A)*2
(B)
(C)

S3*2
S1
S3*2
(A) (B) (C)

S3
S3
(A) (B)

Make sure the Front labels are in the same direction.



2

(L) (H) (G) (D)

S4
(D)

(G) (H) (D)

1 2 3

(L) (D)

Step1

Step2

Step3

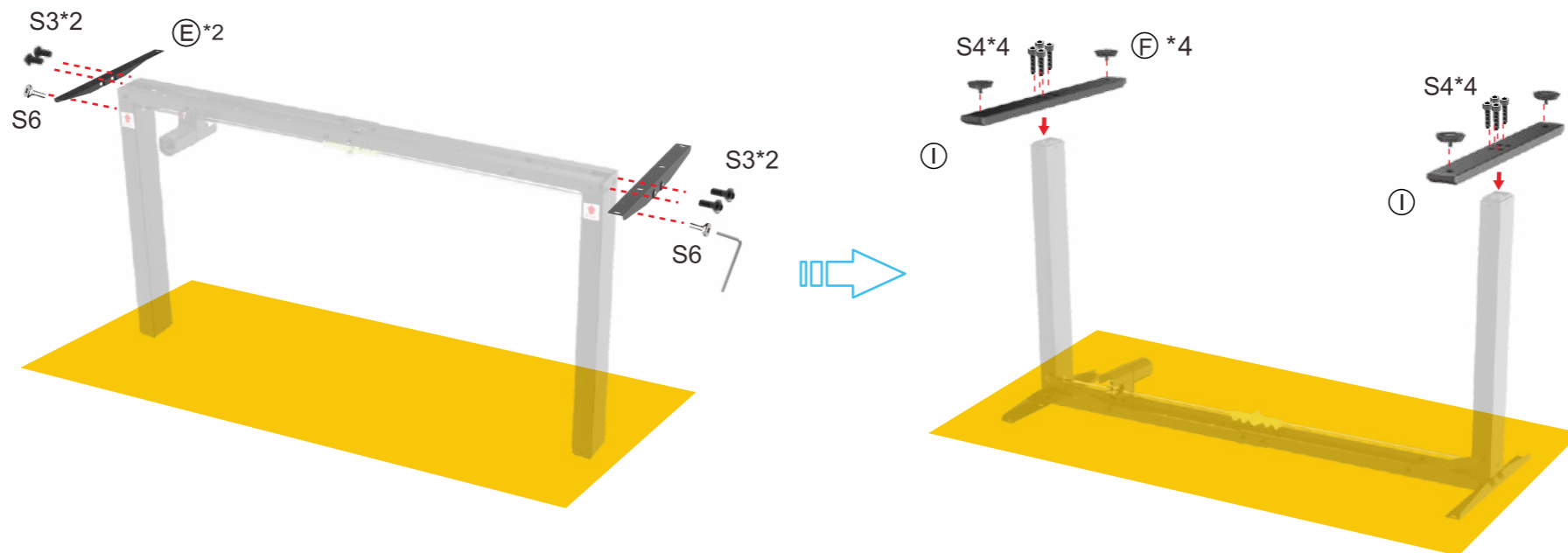
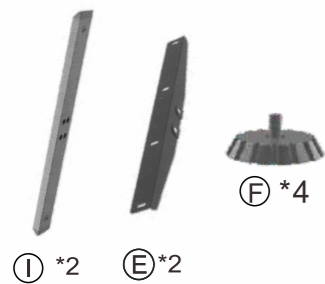
S5*2
S5*2

Tighten these 4 screws

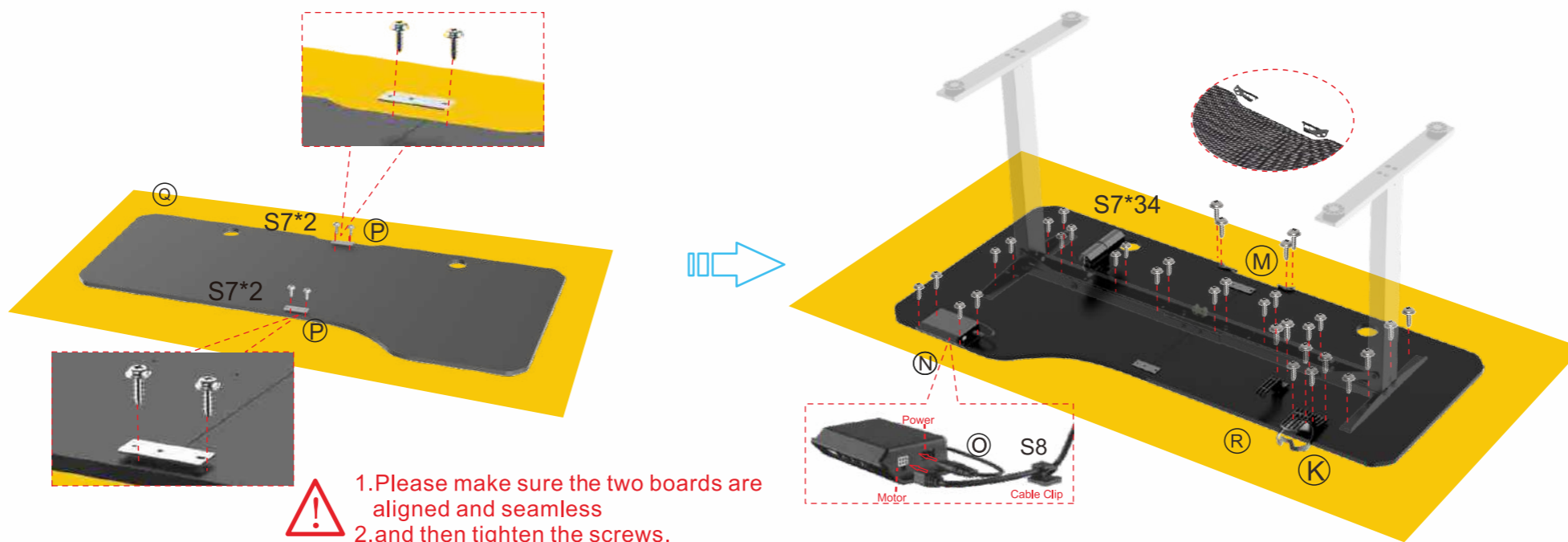
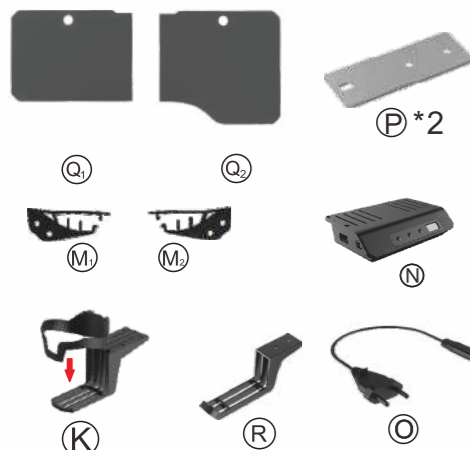
Pay attention to the uniform height



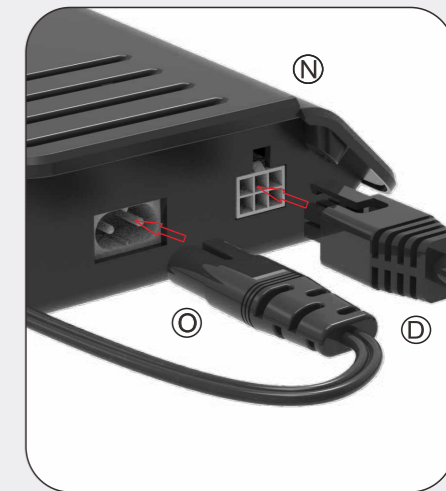
3



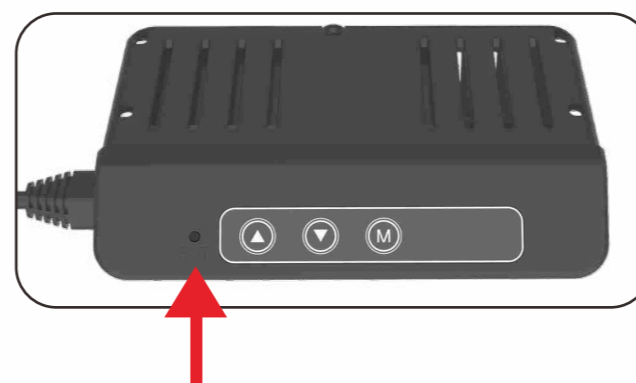
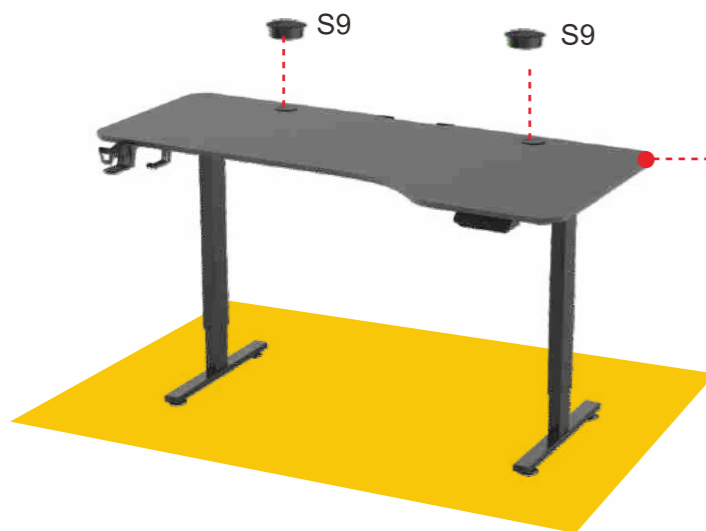
4



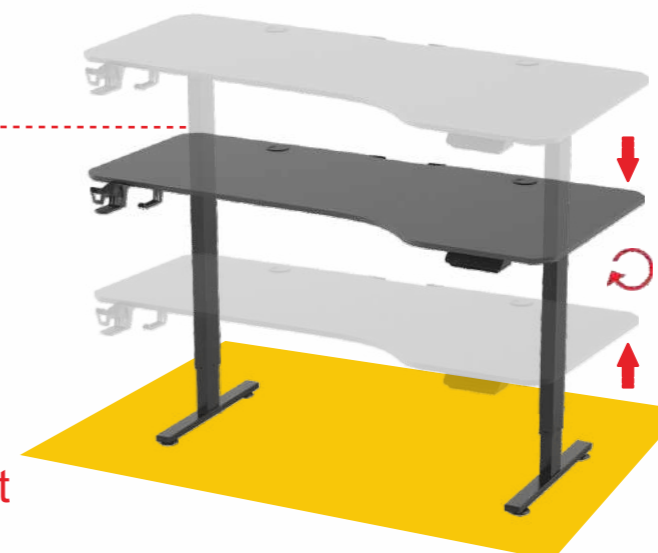
! 1. Please make sure the two boards are aligned and seamless
2. and then tighten the screws.



5



After the table is installed, please press the RST key to start



Then the table will automatically drop to the lowest point. Installation succeeded.