

# TWISTED MINDS

ALL RULES BROKEN



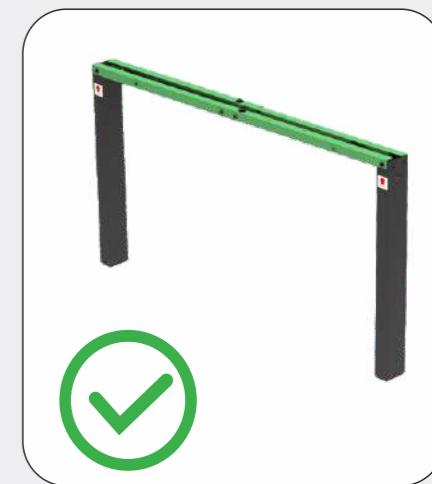
## Assembly Instruction

1

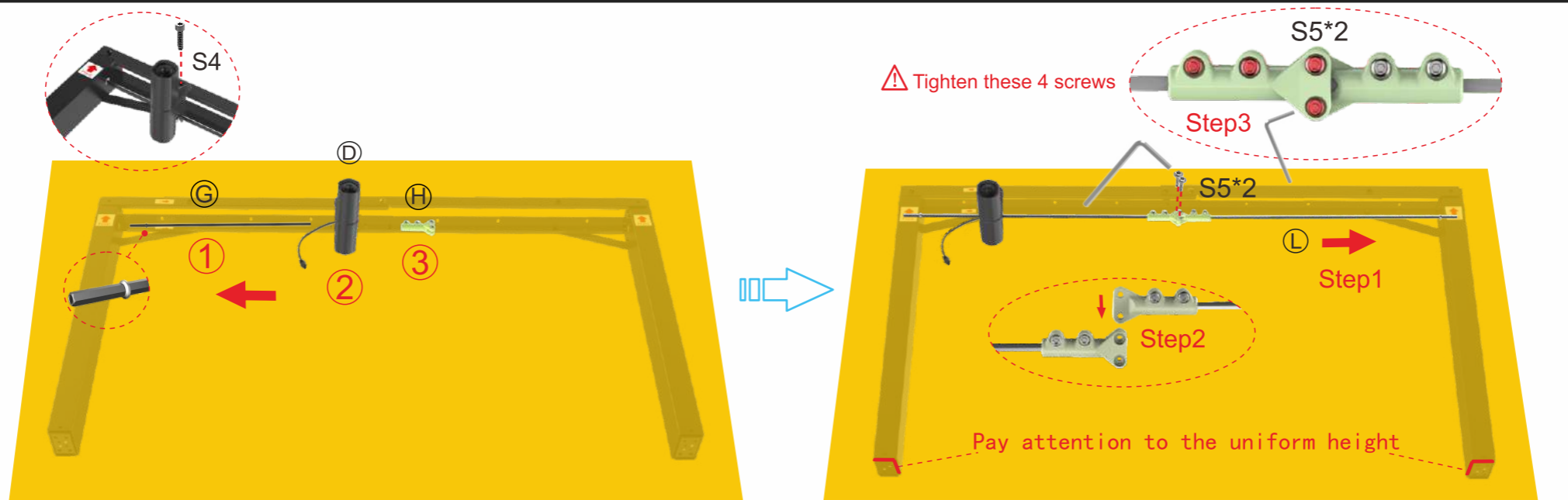
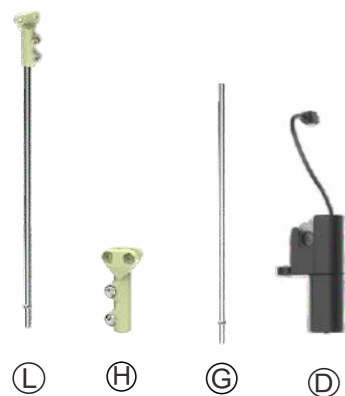
(A)\*2

(B)

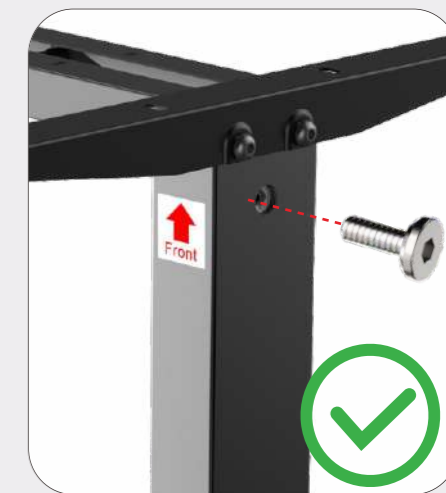
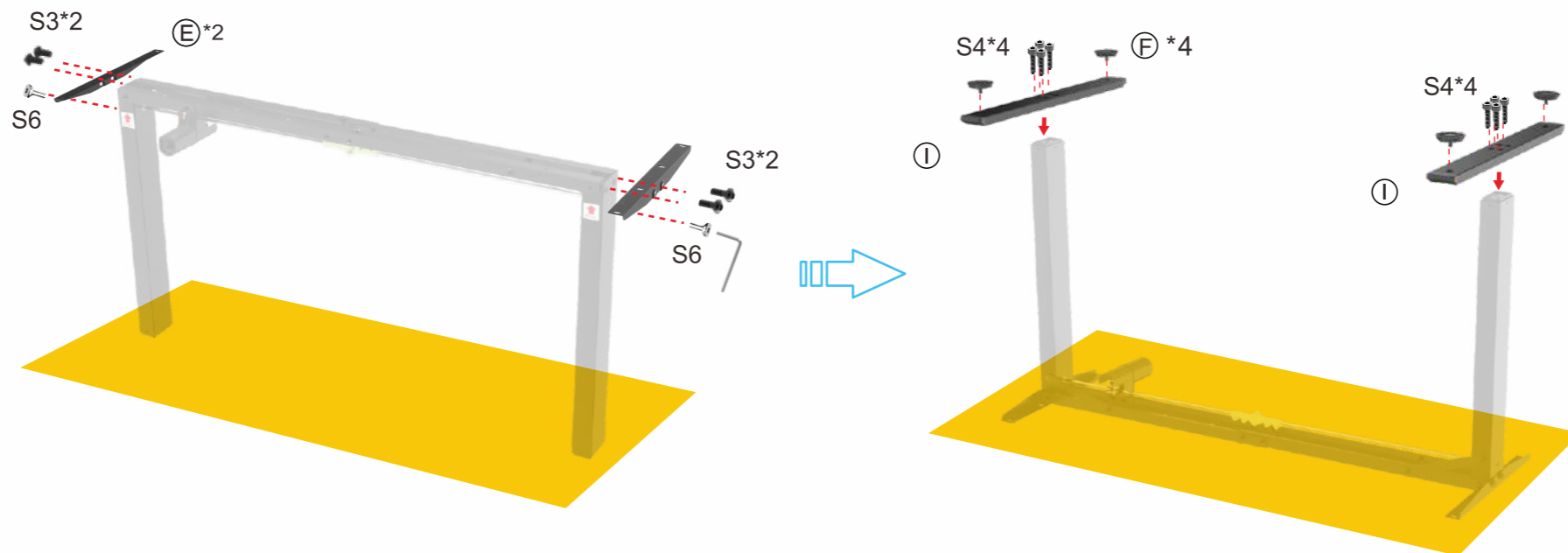
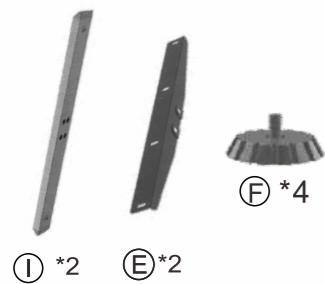
(C)



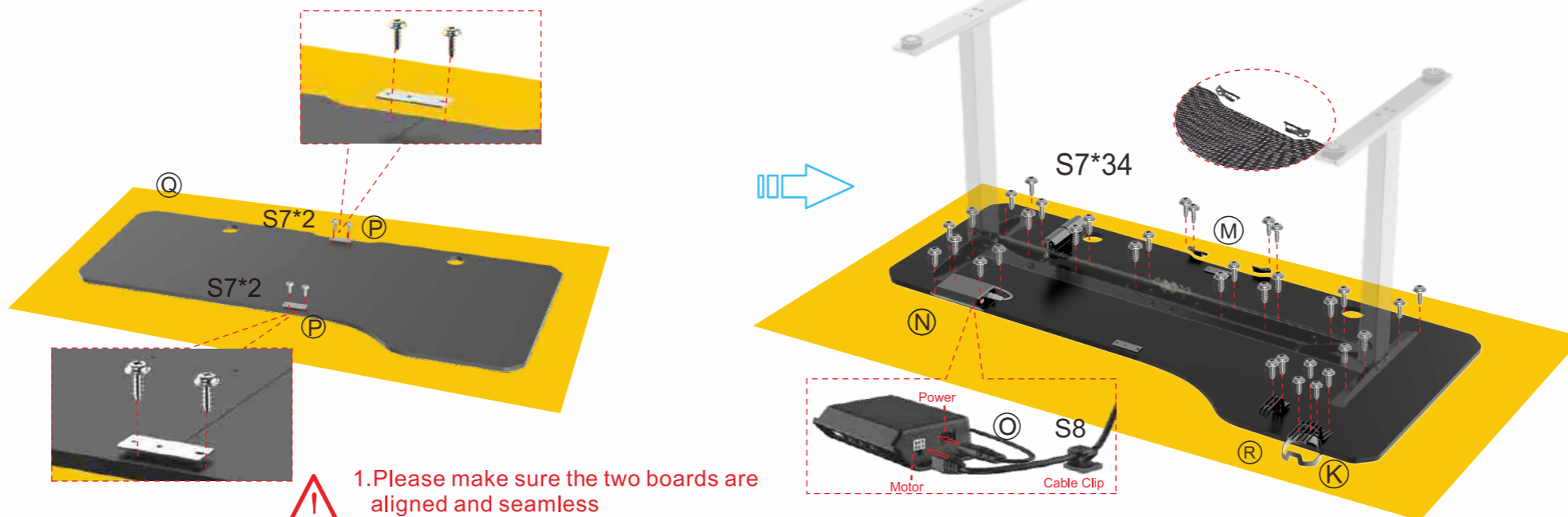
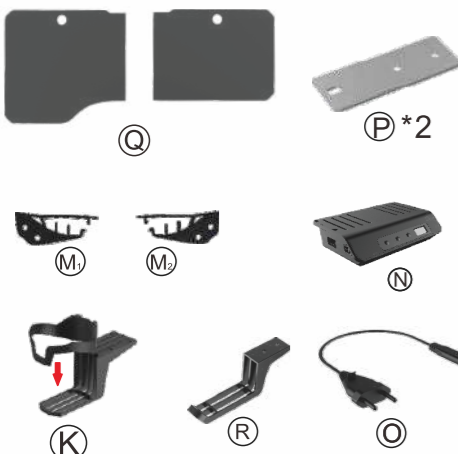
2



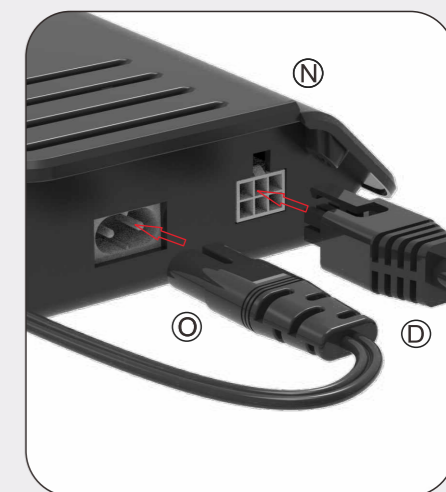
### 3



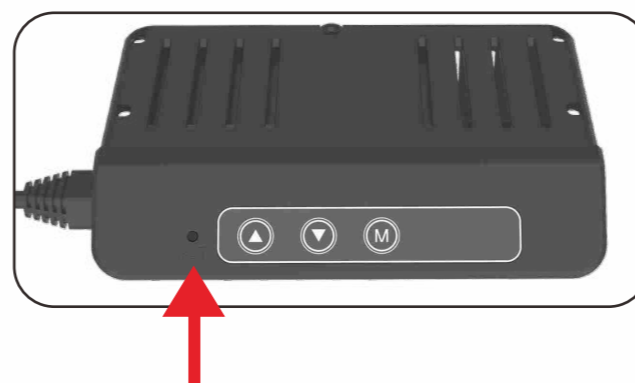
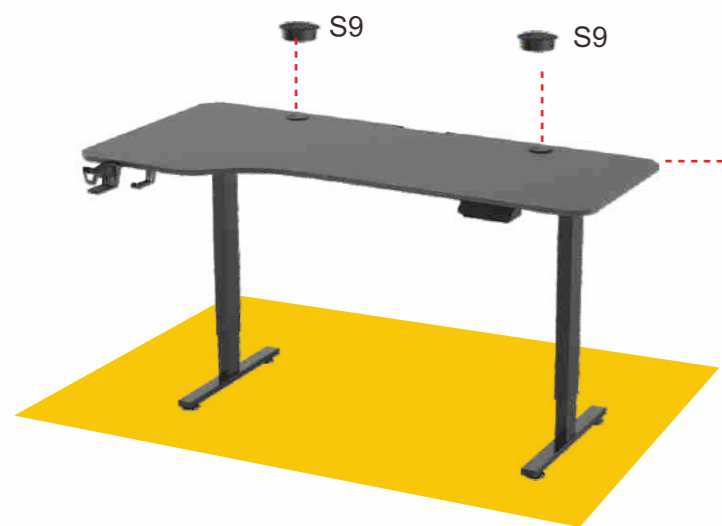
### 4



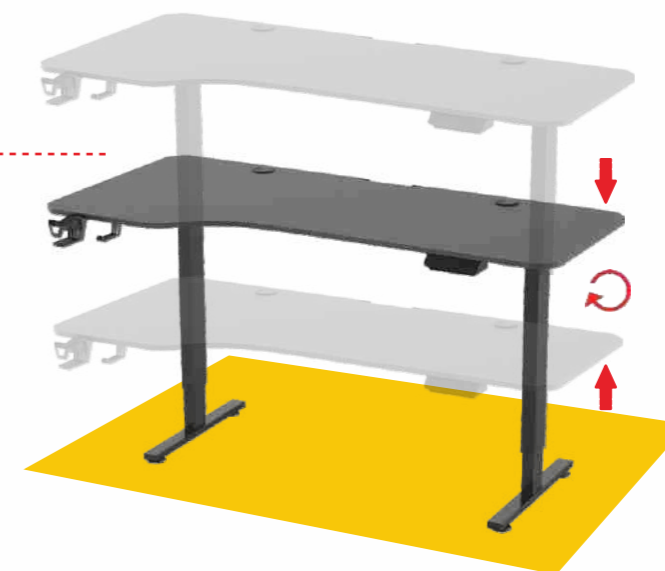
**!** 1. Please make sure the two boards are aligned and seamless  
2. and then tighten the screws.



### 5



After the table is installed, please press the RST key to start



Then the table will automatically drop to the lowest point. Installation succeeded.