




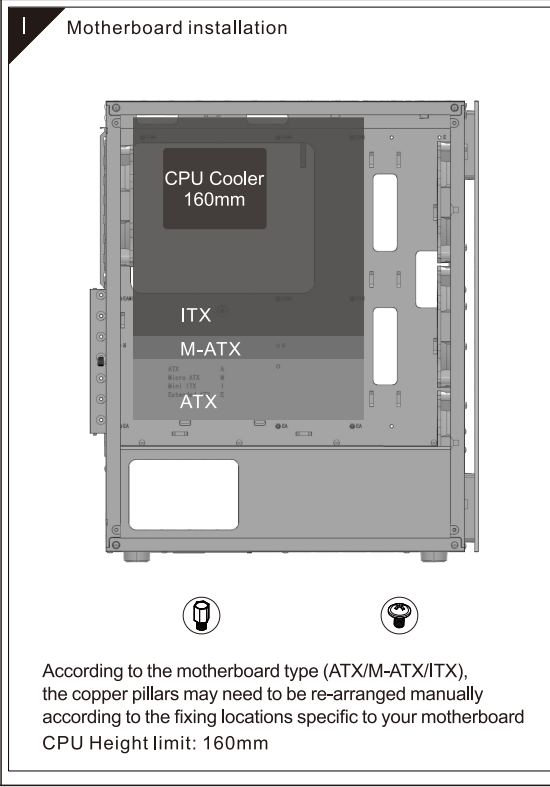
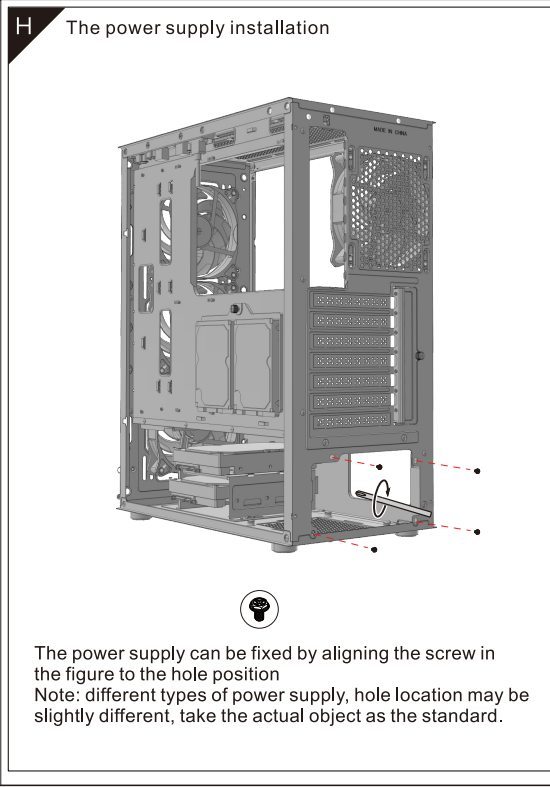
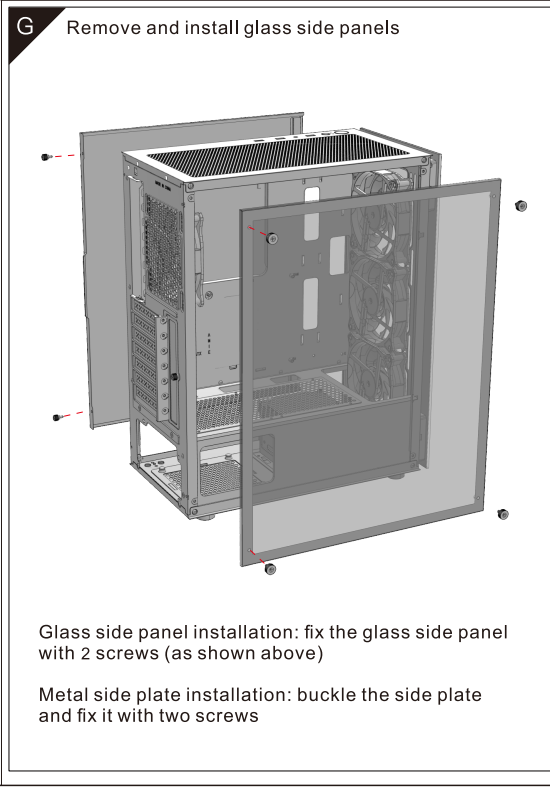
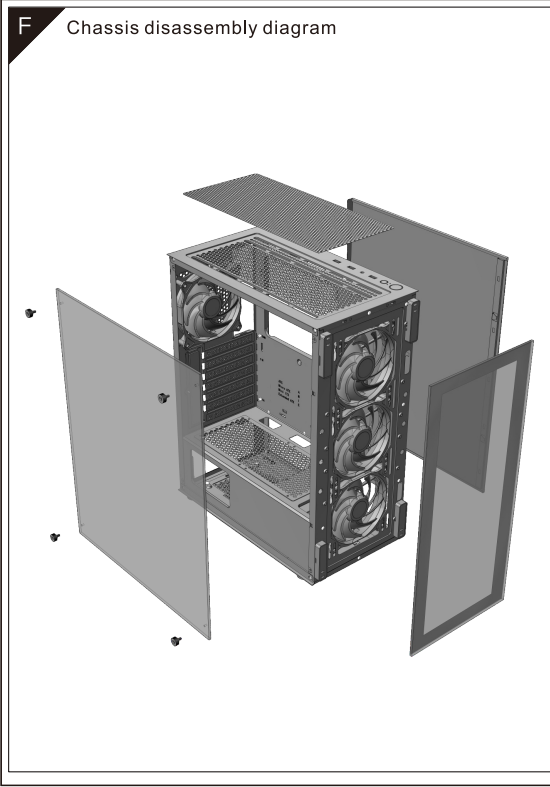
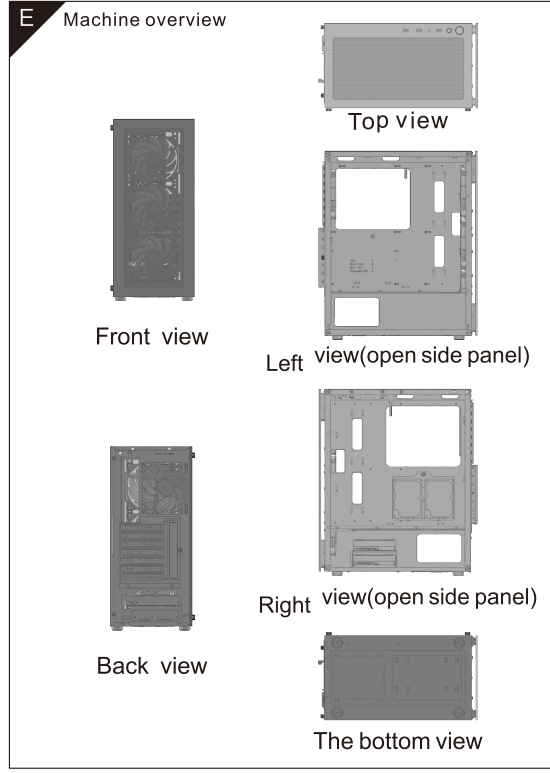
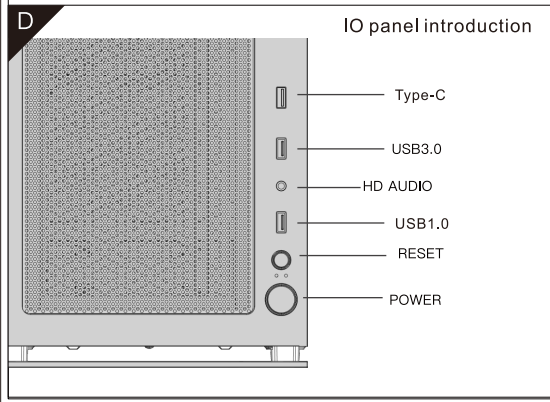
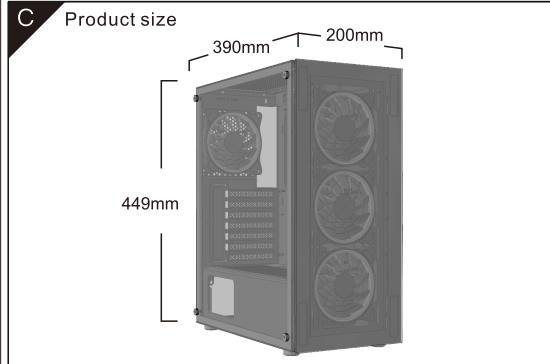
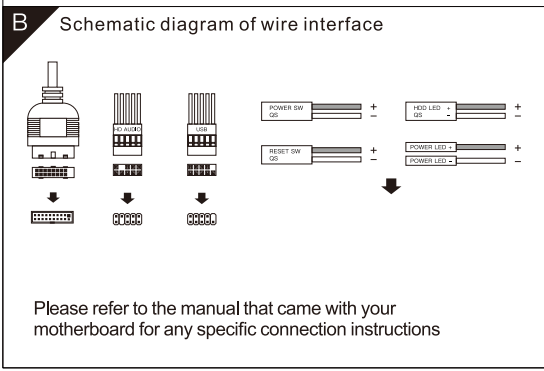


TWISTED MINDS
ALL RULES BROKEN

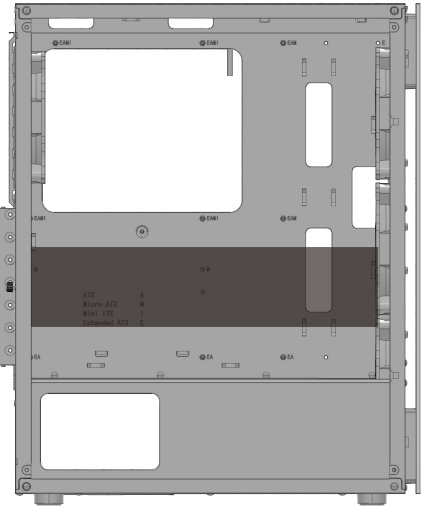
TM350-18
TM350-18-W
【operating manual】

A Package details

 x14	 x8	 x8
 x2	 x3	




J The graphics card installation



VGA Length: No fan can be installed 345mm,
installed fan 315mm

K Panel disassembly



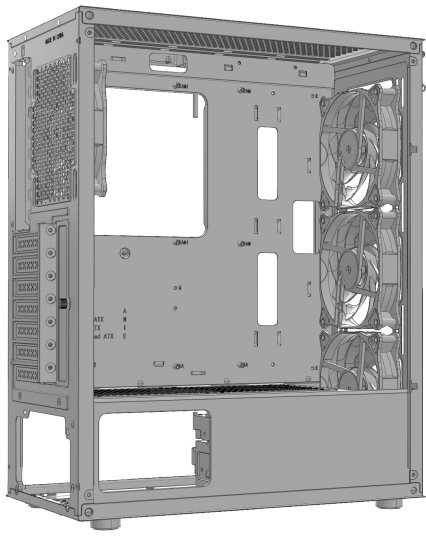
Remove the front panel of the case
and open it by hand in the lower direction

L Fan installation



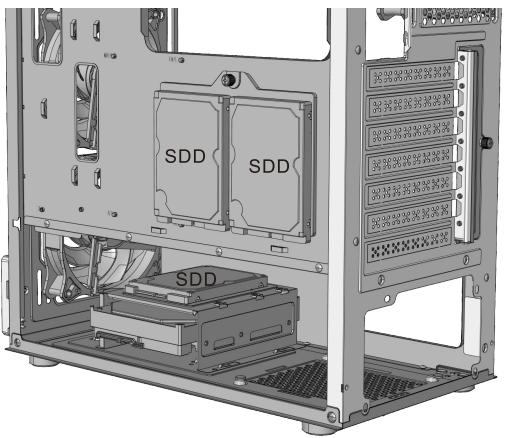
Fans Support: Front: 120mm*3
Top: 120mm*2/140mm*2
Rear: 120mm*1

M Water cooling installation



Radiator Support: Front: 120/140/240/360mm
Rear: 120mm

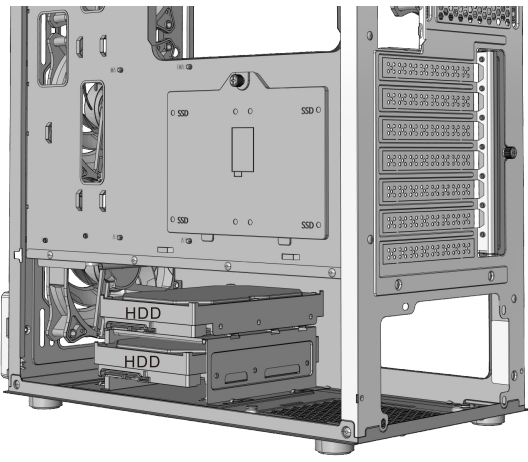
N SSD installation



3*SDD

First fix the hole position with the hard disk cushioning pad,
then fix it with SSD screws .

O HDD installation



2*HDD

First fix the hole position with the hard disk cushioning pad
and then fix the hole position with the HDD screw from
above the power compartment

TWISTED MINDS
ALL RULES BROKEN