







TWISTED MINDS

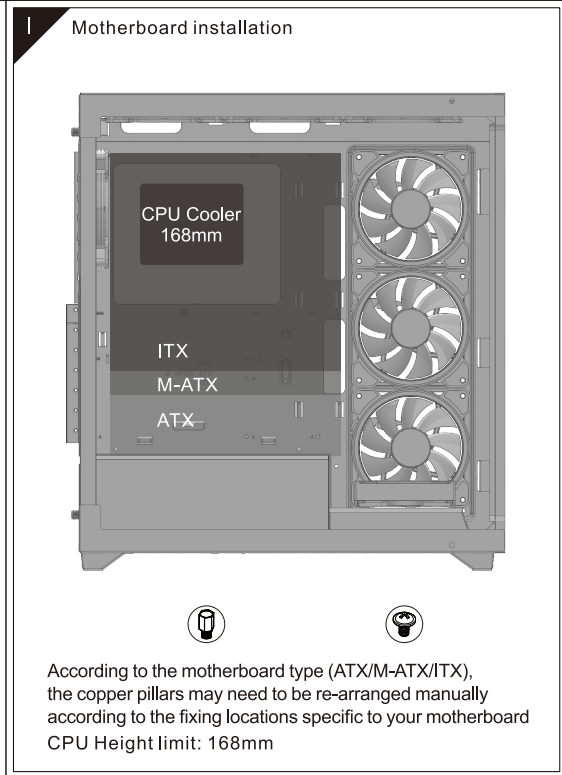
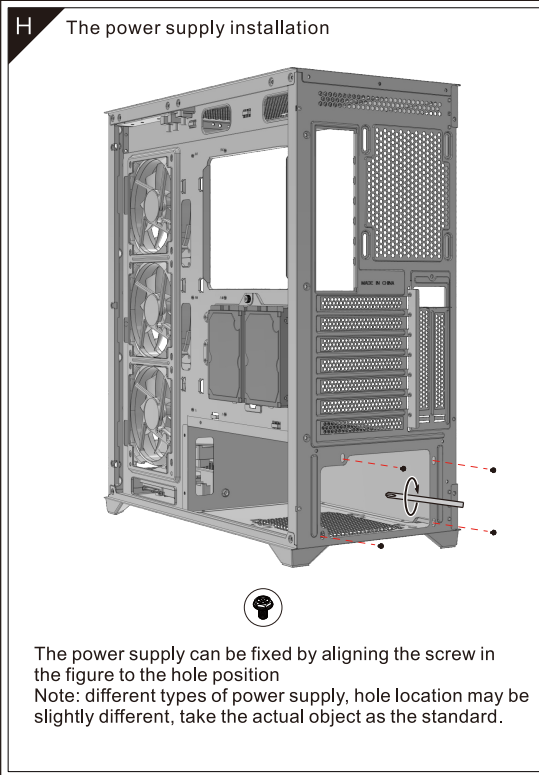
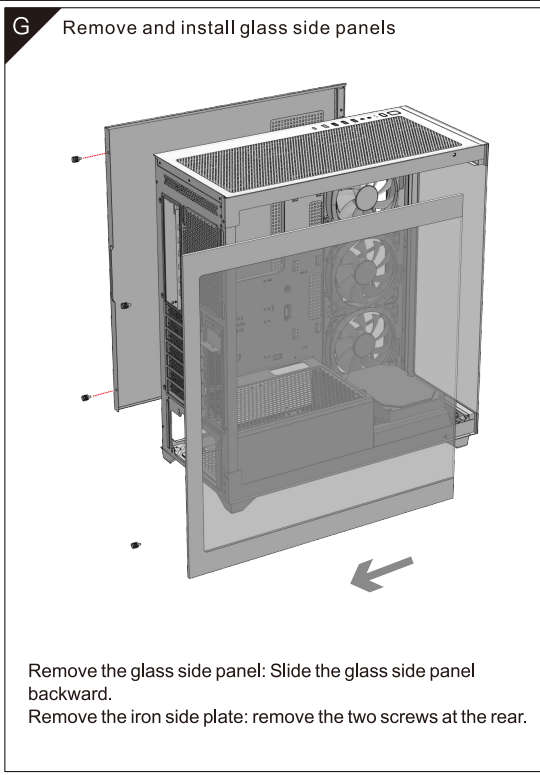
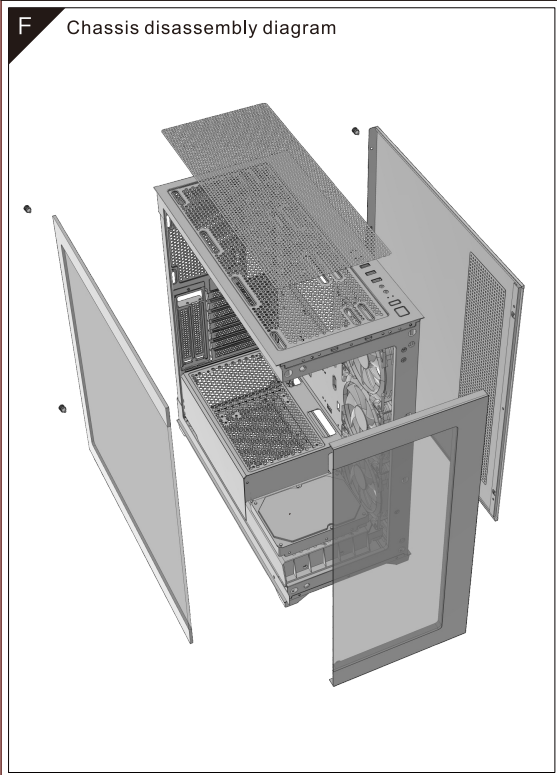
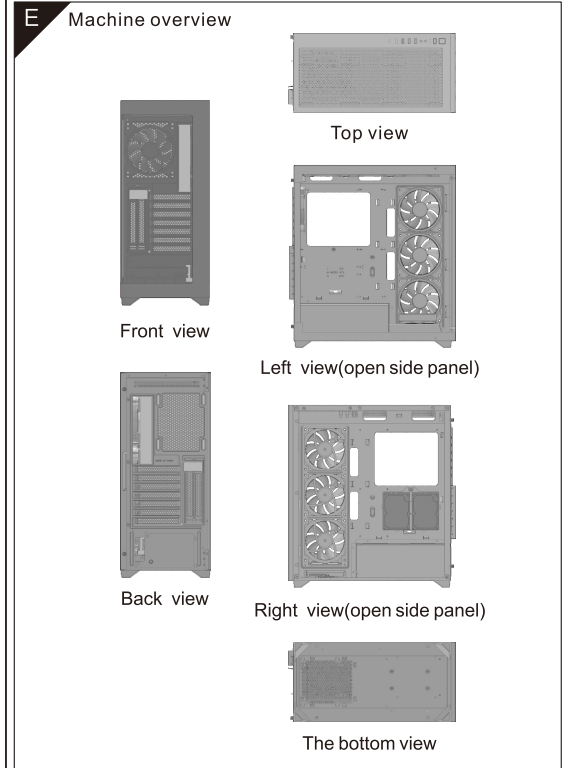
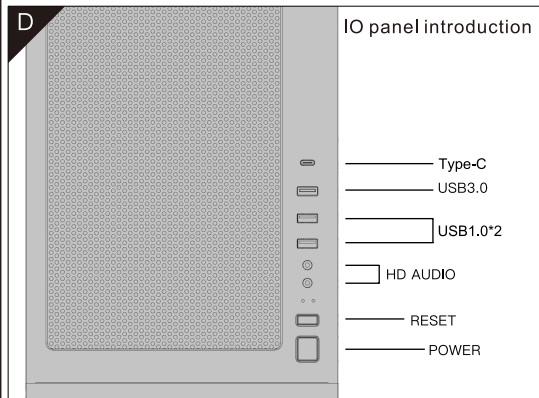
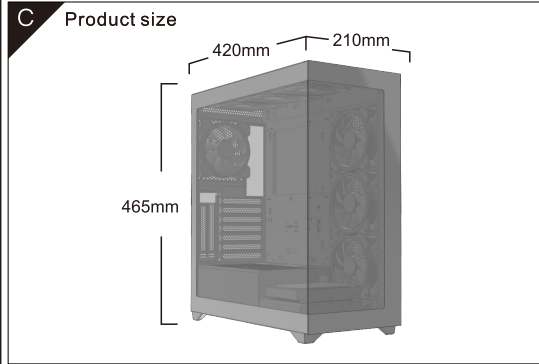
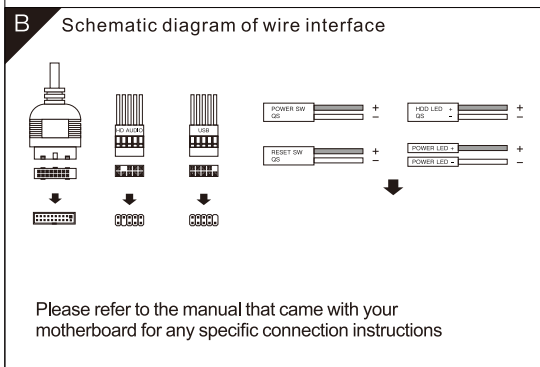
ALL RULES BROKEN

TM-290XL-9-B

【operating manual】

A Package details

 x17	 x6	 x8
 x3	 x5	 x1
Main board screw	The power screw	HDD screws
Copper pillar	Cable Tie	Lock pocket



J The graphics card installation

VGA Length: No fan can be installed 400mm, installed fan 370mm

K Panel disassembly

Open the left panel first, then grab both sides of the panel and pull it out

L Fan installation

Fan Support: Motherboard Bracket: 120mm x 3 (include)
 Top: 120mm x 3 (include)
 Rear: 120mm x 1 (include)
 PSU Cover: 120mm x 2 (optional)

M Water cooling installation

Water cooling: 360mm at Top
 120mm at Rear
 360mm at Motherboard Tray

N SSD installation

2*SSD

Align the screw holes of the hard disk with the hard disk bracket and fix it with special screws.

O HDD installation

2*HDD

Align the screw holes of the hard disk with the hard disk bracket and fix it with special screws.

TWISTED MINDS
 ALL RULES BROKEN