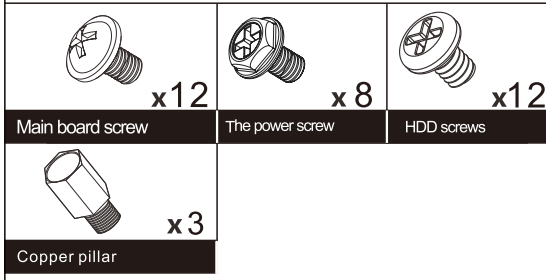


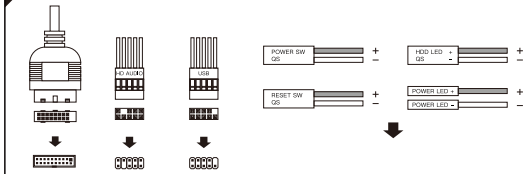
TWISTED MINDS
ALL RULES BROKEN

TM-245-3-B
TM-245-3-W
【operating manual】

A Package details

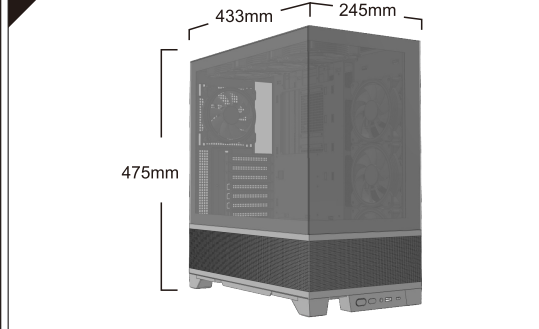


B Schematic diagram of wire interface

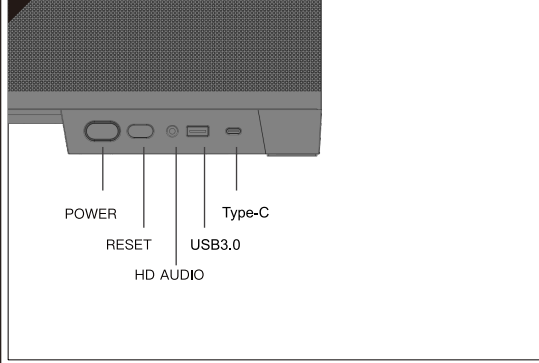


Please refer to the manual that came with your motherboard for any specific connection instructions

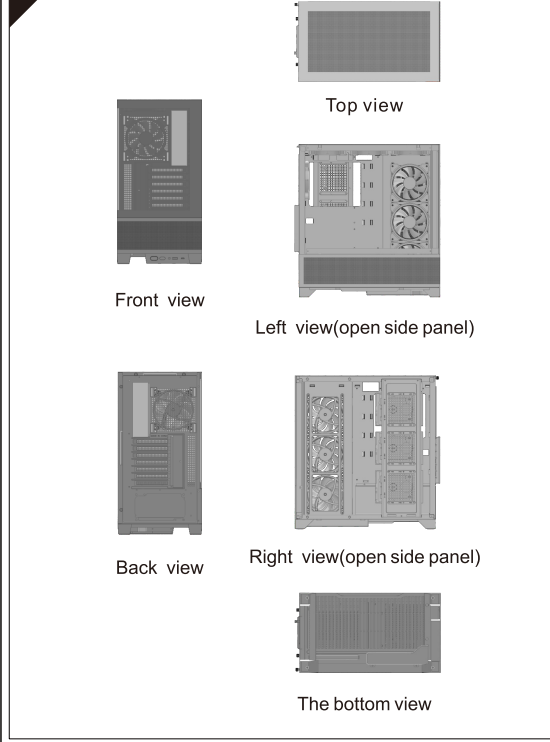
C Product size



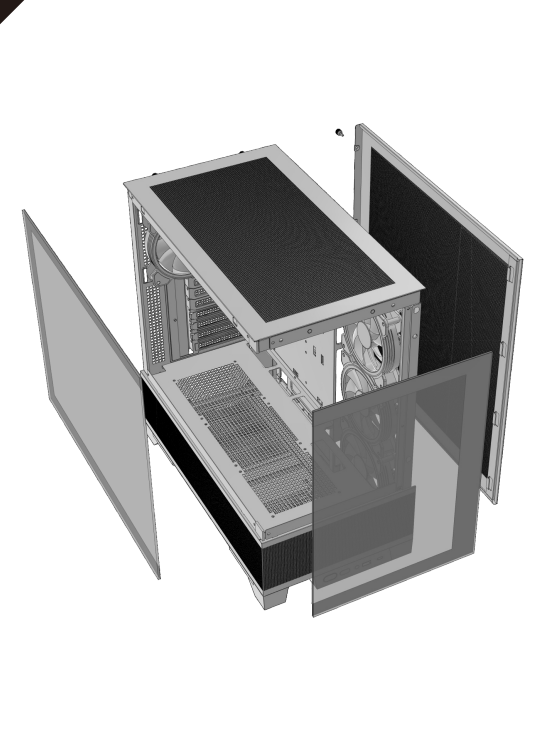
D IO panel introduction



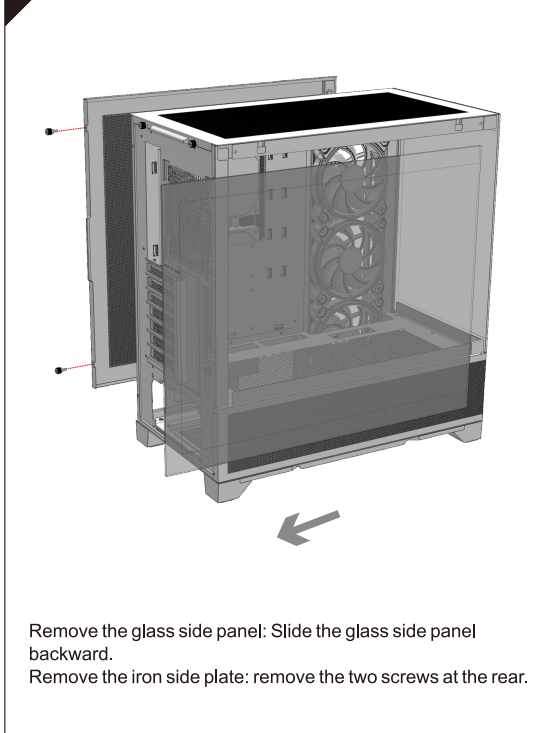
E Machine overview



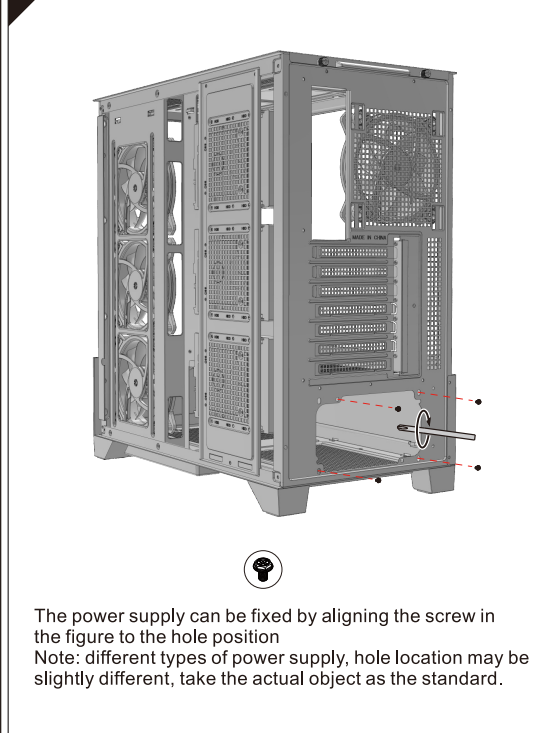
F Chassis disassembly diagram



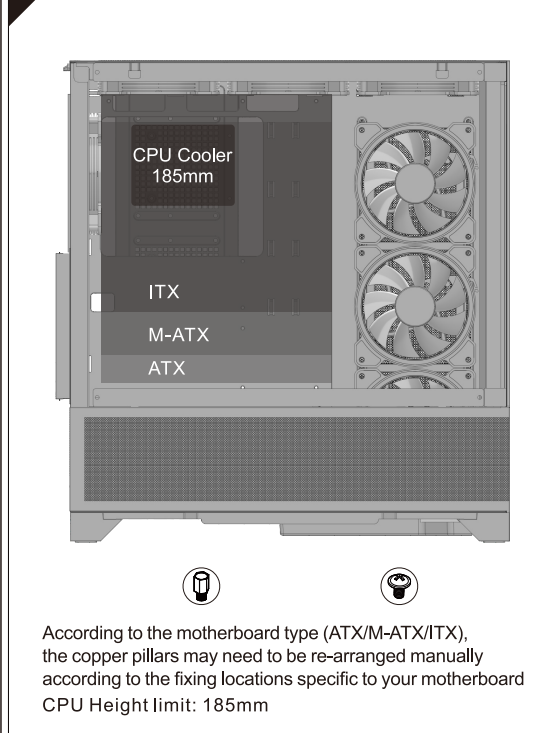
G Remove and install glass side panels



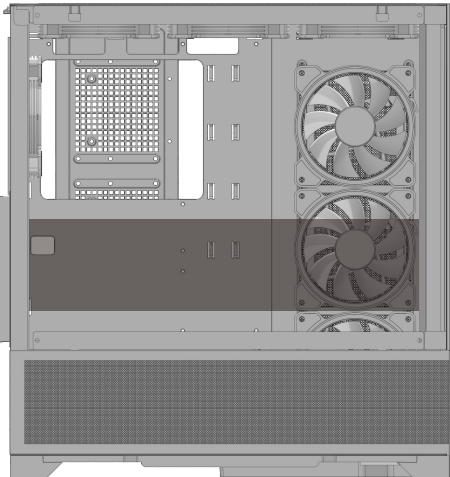
H The power supply installation



I Motherboard installation

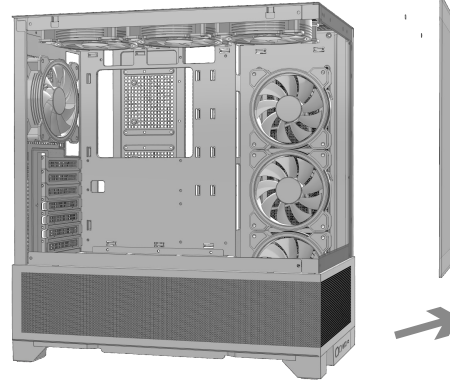


J The graphics card installation



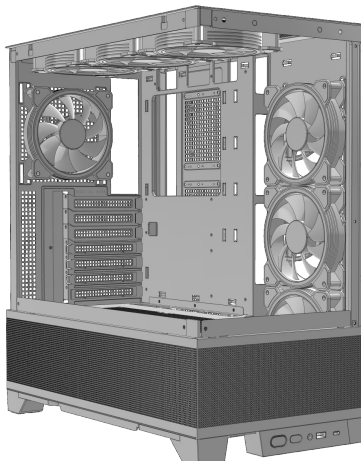
VGA Length: No fan can be installed 420mm, installed fan 390mm

K Panel disassembly



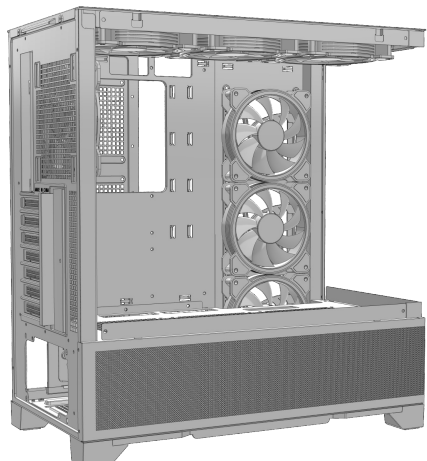
Remove the glass front panel: Remove side screws, slide the glass side panel to the right.

L Fan installation



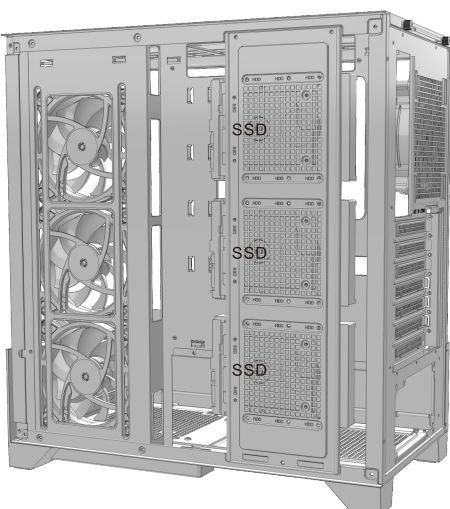
Fan Support: Top: 120mm x 3
Rear: 120/140mm x 1
Bottom: 120mm x 3
MB Tray: 120mm x 3

M Water cooling installation



Water cooling: 360mm at Top

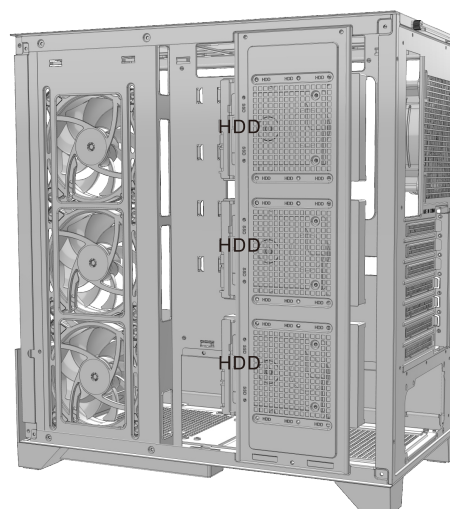
N SSD installation



3*SSD

Align the screw holes of the hard disk with the hard disk bracket and fix it with special screws.

O HDD installation



3*HDD

Align the screw holes of the hard disk with the hard disk bracket and fix it with special screws.

TWISTED MINDS
ALL RULES BROKEN