



FOLLOW @weedgetsllc



Subscribe to Weedgets

Weedgets LLC
Michigan Ave,
Miami Beach, FL 33139

wsedgets

WATERLESS SMOKE FILTRATION
& COOLING TECHNOLOGY

wsedgets

WATERLESS SMOKE FILTRATION
& COOLING TECHNOLOGY



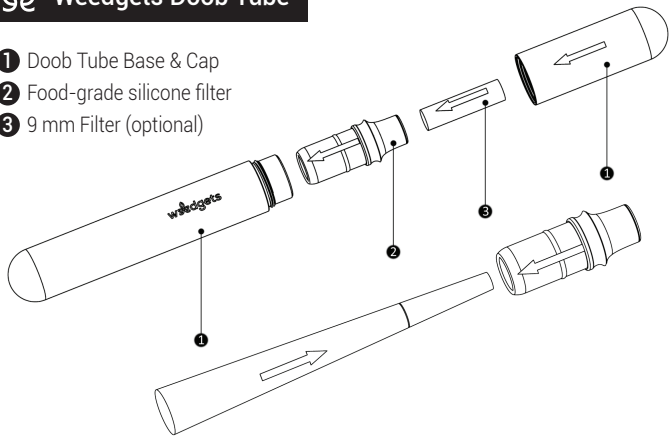
www.weedgets.com

Designed in USA. Made in China.
© 2020 Weedgets. All right reserved.
Weedgets logos are trademarks or registered
trademarks of Weedgets LLC in USA.

USER GUIDE

Weedgets Doob Tube

- 1 Doob Tube Base & Cap
- 2 Food-grade silicone filter
- 3 9 mm Filter (optional)



Welcome to the most stylish and convenient way of carrying your joints or prerolled cones.

Made from aircraft grade aluminum and food grade silicone, Weedgets "J" Tube features double-sided seal for a complete smell and water proof experience. Inside, you'll find our exclusive silicone filter tip with an internal screen that blocks hot resin and tar and resin from getting into your lungs. Talk about a two in one!

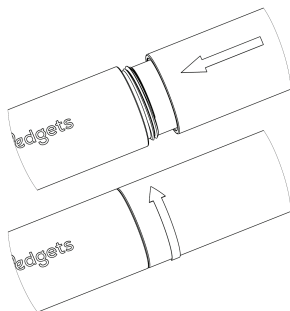
Using your Weedgets Doob Tube

To use "J" Tube simply unscrew the cap, remove the black filter tip, insert your "J" securely inside silicone filter tip and then into base. Use it as needed to smoke through the filter tip.

Care and Cleaning

Keeping the silicone filter tip inside your doob tube clean will allow it to do its job: protect your lungs from unwanted hazardous materials. When resin and tar build up. Fill a small container or ziplock bag with isopropyl alcohol (at least 70% proof, but 99% is better). Remove doob tube cap and take out silicone filter tip. Place silicone filter tip inside container/ ziplock and make sure it is fully submerged. Let filter soak for at 1-2 hours. Rinse with warm water, replace silicone filter tip inside doob tube and continue to enjoy.

For more information, check out weedgets.com or the WEEDGETS YouTube channel.



Charcoal Filters

Adding a charcoal filter (#3 in image) will block more residue and further enhance the cleanliness of your smoking experience. 8-9 mm charcoal filters are recommended (not included) and can be purchased online on Amazon