



DESERT OVERLAND SUPPLY

Anza 4-Person Cotton Canvas Cabin Tent
Owner's Manual



IMPORTANT!! To ensure the safe and proper usage of the DOS Anza Cabin Tent, please fully read and follow all instructions contained in this manual.

WARNING



This tent may be flammable! While our tent fabric is made to be ember resistant, please keep all flame and heat sources away from this product. Stoves, campfires, or any other flame source should not be used inside your tent without proper precaution. Death by carbon monoxide poisoning and/or serious burns are possible.



Carefully consider the location you place this product. Falling rocks or tree limbs, flash floods, avalanches, strong winds, and other environmental hazards may cause risk of loss or injury to the tent or occupants.



Always maintain proper ventilation inside your tent.



Do not allow children to assemble or disassemble the tent. Do not leave children unattended inside the tent. Children should not be allowed to remain closed-up inside the tent on hot days. Supervise children and do not allow children to swing or hang from any part of this tent. Failure to follow these warnings may result in injury and/or death.

Parts List

Identify all parts and ensure that they are in good condition and working order each time you use the DOS Anza Cabin Tent. The product contents include:

QUANTITY	ITEM
1	Anza Cabin Tent Fabric
1	Tent Storage Bag
2	Steel Tent Poles w/ Bag
20	Steel Tent Stakes w/ Bag
8	Short Guy lines
2	Long Guy Lines

Use

It is important to read these instructions carefully before taking the Tent on your first trip.

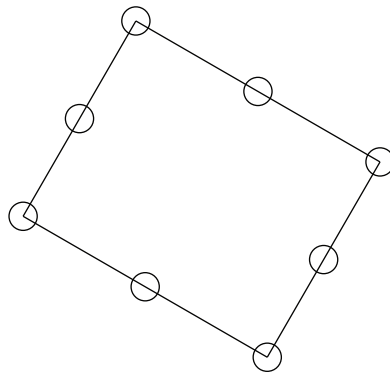
Preparation

- Before using the Anza Cabin Tent on its first camping trip, it is recommended for all users to assemble this tent at home to familiarize yourself with the assembly process. Make sure all the components of your tent are present and in working order.
- It is recommended to season the canvas fabric used for the Tent walls. To do this, spray the assembled tent lightly with water and allow it to dry completely. This allows the cotton to naturally seal any small holes in the fabric. This process is only required once.
- Additional waterproofing of the canvas is recommended after seasoning. While our tents are both made with a canvas material that naturally repels water and is factory-treated with sealant, it is recommended that all users regularly lightly treat the tent with a *SILICONE* based waterproofing compound on a regular basis. Other types of waterproofing compounds may affect the breathability of the canvas material.

Assembly

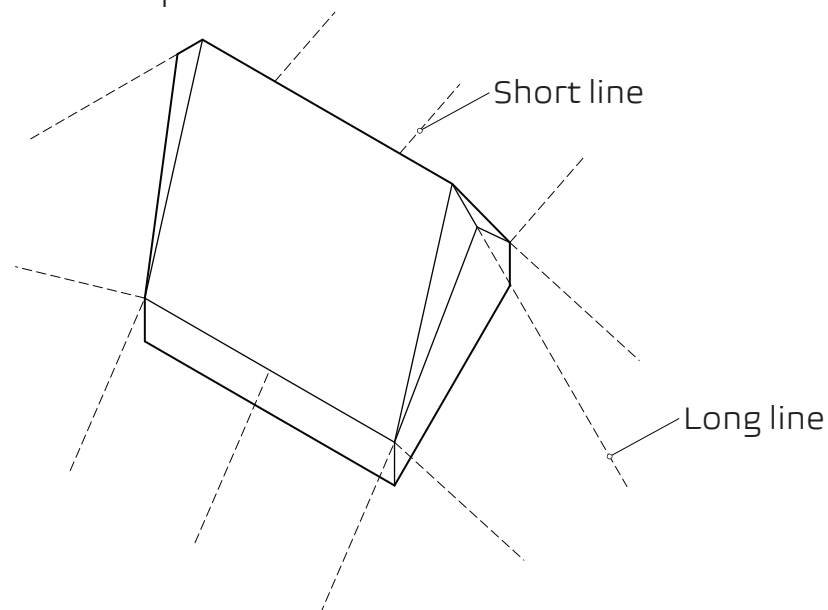
Step 1

- o Unpack and loosely spread the tent fabric on the floor. Although our heavy-duty tent floor is designed to resist punctures and tears, a groundsheet is recommended for longevity. Select a site where water will not flow towards the tent.
- o Remove the steel tent stakes from the storage bag and stake down the outside four corners of the tent while stretching out the floor, then stake down the midpoints of each side.



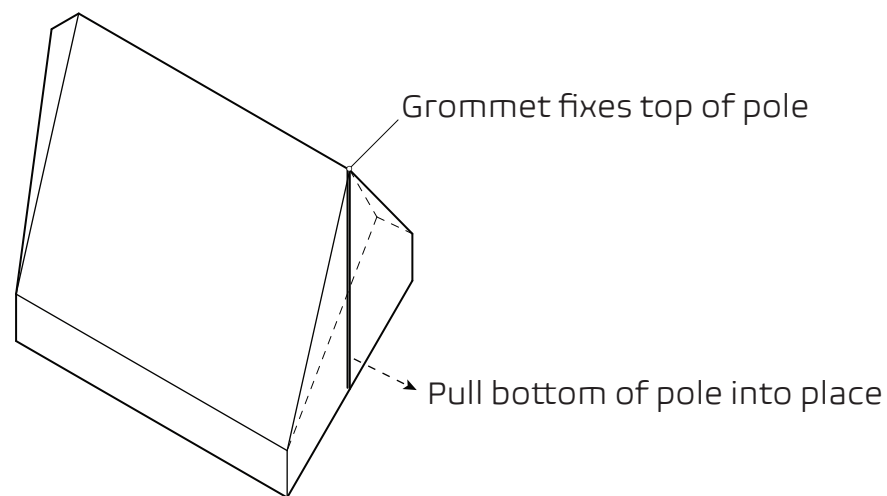
Step 2

- o Remove the two steel tent poles from the pole storage bag. Assemble each tent pole by sliding the ends of each section together.
- o Separate all the guy lines and tensioners. You will find eight short guy lines and two longer guy lines. Verify the tensioners are attached to the guy lines and tie each guy line to their appropriate points. The two longer guy lines are tied at the 'porch' over each door.



Step 3

- o Identify the two different ends of the tent poles. One end should have a flat round plastic foot and the other end should have a pin. Unzip the tent on one side and locate a reinforced metal grommet at the top of the door opening just inside the tent.
- o Insert the tent pole base-first into the tent, then insert the pin through the grommet at the top of the door. Pull the base of the pole towards you until the base rests on a reinforced patch in the floor sheet.
- o Once the pole is in place, grab the long guy line affixed to the porch of the door. Pull this guy line perpendicularly away from the tent doors and stake it down. Tightening this guy line will hold the pole in place.
- o Repeat these steps to install the second tent pole on the opposite side of the tent. The ridge of the tent roof should be relatively flat and the center of the roof should not sag inwards. If the roof sags inwards, tighten these guy lines further with the tensioners.



Step 4

- o Once both tent poles are in place and the two longer guy lines have been staked down, stake down all additional guy lines and tension them.
- o Stake down each short guy line and tighten with the tensioners.

Step 5

ENJOY!

Use of the Stove Jack

- Proper care should be taken when using the stove jack. Serious injury or death may occur by improper usage of fire.
- On the exterior of the tent, roll up and cinch down the flap to access the fire-proofed stove jack.
- Per your stove recommendations, install the appropriate exhaust stack through this vent.
- This stove jack can also be used with air conditioners, heaters, etc. Follow all appropriate manufacturer instructions for use of these appliances.

Storing the Tent

Step 1

- Empty all belongings out of the tent.
- Clean out the interior of the tent by sweeping out any dirt or debris.
- Allow the tent fabric to dry completely if humidity has built up inside, or if it has rained.
- If you must pack the tent wet, be sure to allow it to dry once you have returned home.

Step 2

- Release tension on all guy lines and remove guy line stakes.
- Move each interior tent pole towards each other and slowly collapse the tent inwards. This step is best accomplished after all guy lines have been undone and tension is removed. Push up on the tent poles and slowly bring the flat footed bottom of the pole towards the center of the tent.
- Carefully remove the tent poles from inside the tent and collapse each tent pole, storing them in the provided bag.

Step 3

- Carefully fold and roll up the tent. This is best done by laying the square floor of the tent down and folding inwards from the corners.
- Store the tent and tent poles in their respective bags.

Use and Care

- While the Anza Cabin Tent is built with durability and longevity in mind, please be sure to occasionally use a damp rag and wipe the tent fabric clean.
- While the canvas material is naturally breathable, condensation could still build up inside the tent. Condensation can be reduced by allowing air ventilation. Tents should be allowed to dry completely before storage. If a tent must be stored while wet, loosely roll the tent for transport and then immediately unroll and set up after transport to dry thoroughly before long-term storage. Failure to do so could cause rot or mildew in the canvas material.
- Keep tent fabric away from sharp objects such as rough stones and rocks, thorns, metal edges, etc.
- Keep zippers free from dirt and excessive force to prolong zipper life.
- A groundsheet underneath your tent is recommended to maximize the life of your tent's floor.
- We do not recommend spraying insecticides or bug repellent directly onto the tent fabric. If you must do so (we fully understand), use a fabric-safe repellent such as Picaridin, **not** DEET.

A MESSAGE FROM DOS

Thank you for choosing the DOS Anza Cabin Tent for your new camping setup. We take pride in our design and manufacturing, and hope that this tent accompanies you on many exciting trips.

For any questions or inquiries, please feel free to email support@desertoverlandsupply.com

We wish you all the best! Safe travels!