

**Time and light control**  
**Analogue time switches**

**Description**

- Analogue time switch
- 1 channel
- With power reserve (NiMH rechargeable battery)
- Quartz controlled
- Daily program
- 96 switching segments
- Shortest switching time: 15 minutes
- Clock hands for time display
- Switching preselection
- Permanent ON/OFF switch
- Switching status display
- Simple summer/winter time correction
- Time can be changed clockwise or anti-clockwise



**Technical data**

SUL 189 s	
Operating voltage	230 V AC
Frequency	50 – 60 Hz
Number of channels	1
Installation type	Front panel installation/wall installation
Type of connection	Screw terminals
Drive	Quartz-controlled stepper motor
Program	Daily program
Power reserve	3 days full power reserve approx. 3 days after connection to operating voltage

SUL 189 s	
Switching capacity at 250 V AC, cos φ = 1	10 A
Switching capacity at 250 V AC, cos φ = 0,6	2 A
Shortest switching times	15 min
Programmable every	15 min
Time accuracy at 25 °C	≤ ± 1 s/day (quartz)
Type of contact	Changeover contact
Switching output	Potential-free and phase-independent
Number of switching segments	96

Subject to technical changes and misprints

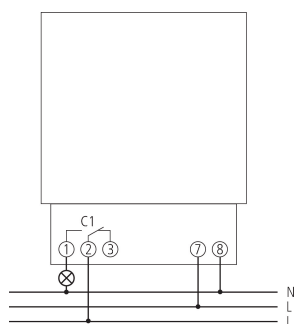
additional information at: [www.theben.de/product/1890801](http://www.theben.de/product/1890801)

The load data are determined with exemplary selected illuminants and are therefore typical data due to the large number of available products.

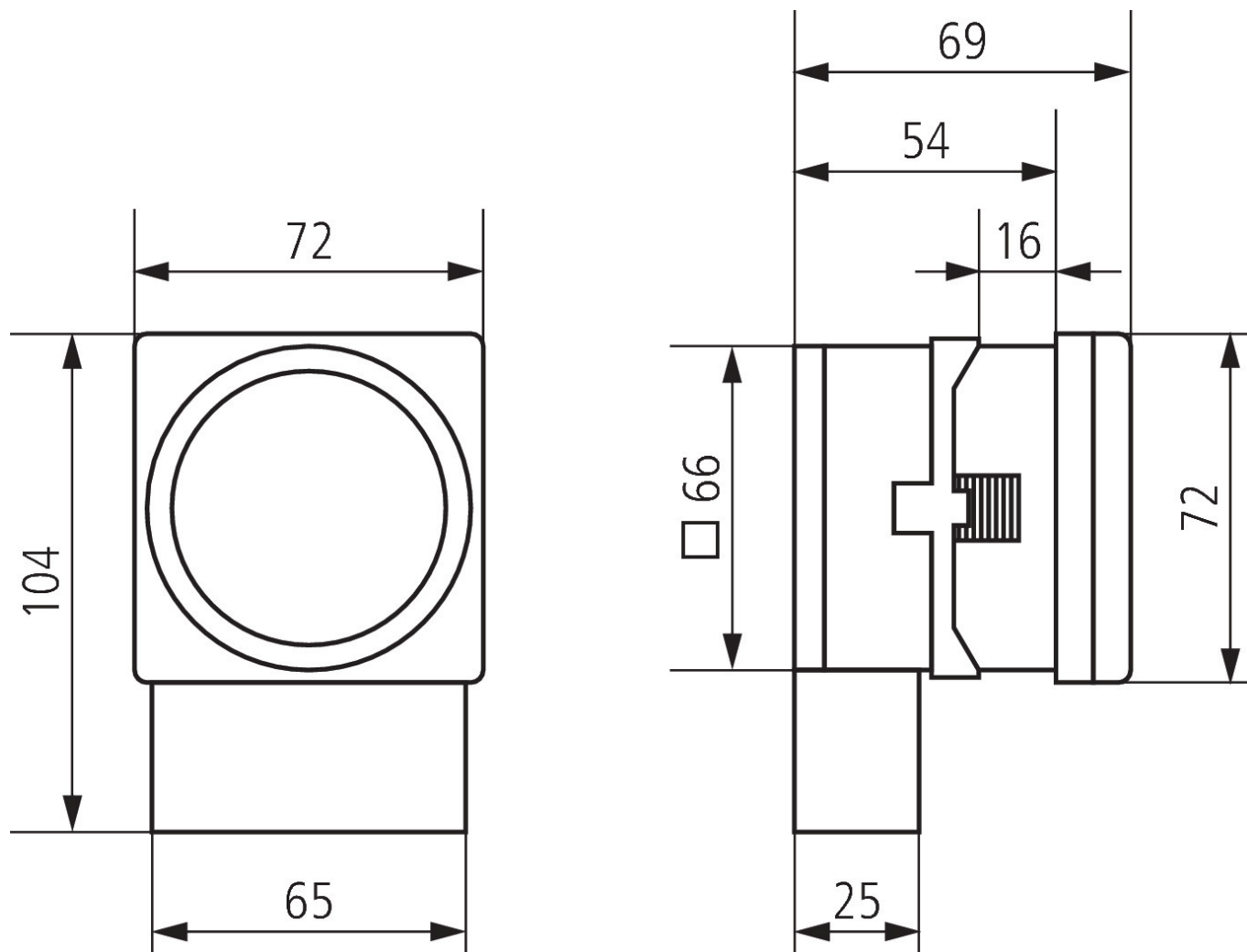
### Technical data

SUL 189 s		SUL 189 s	
Stand-by consumption	0.5 W	Type of protection	IP 20
Test approval	EMV	Protection class	II according to EN 60 730-1
Housing and insulation material	High-temperature resistant, self-extinguishing thermoplastic	Ambient temperature	-10°C ... 55°C

### Connection example



Scale drawings



Accessories

Snap-on mounting 72 x 72  
Item no.: 9070071

