

- > **Port size: 3/8" ... 3/4" (ISO G/PTF)**
- > **Excelon design allows in-line installation or modular installation with other Excelon products**
- > **High efficiency water and particle removal**
- > **Quick release bayonet bowl**
- > **Push to lock adjusting knob with optional tamper resistant accessory**
- > **Metal bowl with prismatic liquid level indicator lens**



Technical features

Medium:

Compressed air only

Maximum operating pressure:

Transparent bowl: 10 bar (145 psi)

Metal bowl: 17 bar (246 psi)

Pressure range:

0,3 ... 10 bar (4 ... 145 psi)

0,3 ... 4 bar (4 ... 58 psi) optional,

0,7 ... 17 bar (2 ... 250 psi) optional

Filter element:

5 µm & 40 µm

Port size:

G3/8, G1/2, G3/4,

3/8 PTF, 1/2 PTF, 3/8 PTF

Gauge port:

Rc 1/8 with ISO G main ports

1/4 PTF with PTF main ports

Flow:

100 dm³/s

At port size: 1/2"

Inlet pressure 10 bar (145 psi);

6,3 bar (91 psi) set pressure and a

Δp: 1 bar (14,5 psi) droop from set.

Filter element: 40 µm

Relieving:

Standard

Drain:

Manual or automatic

Automatic drain operating conditions (float operated):

Bowl pressure required to close

drain: > 0,35 bar (5 psi)

Bowl pressure required to open

drain: ≤ 0,2 bar (2,9 psi)

Minimum air flow required to close

drain: 1 dm³/s (2 scfm)

Manual operation: depress pin

inside drain outlet to drain bowl

Ambient/Media temperature:

Transparent bowl:

-34 ... +50°C (-30 ... +122°F)

Metal bowl:

-34 ... +80°C (-30 ... +176°F)

Version with gauge:

-34 ... +65°C (-30 ... +149°F)

Air supply must be dry enough

to avoid ice formation at

temperatures below +2°C (+35°F).

Materials:

Body: Die cast aluminium

Bonnet: Aluminium

Valve: Brass

Bowl: Transparent PC with steel

guard or die cast aluminium

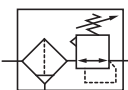
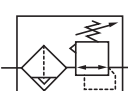
Liquid level indicator lens (metal

bowl): Transparent PA

Filter element: sintered PP

Elastomers: CR & NBR

Technical data B74G- standard models

Symbol	Port size	Size	Drain	Pressure range (bar)	Filter element (µm)	Bowl with guard	Weight kg	Model
	G3/8	—	Manual	0,3 ... 10	40	PC (transparent)	1,19	B74G-3GK-QP3-RMN
	G1/2	Basic	Manual	0,3 ... 10	40	PC (transparent)	1,17	B74G-4GK-QP3-RMN
	G3/4	—	Manual	0,3 ... 10	40	PC (transparent)	1,16	B74G-6GK-QP3-RMN
	G3/8	—	Manual	0,3 ... 10	5	PC (transparent)	1,19	B74G-3GK-QP1-RMN
	G1/2	Basic	Manual	0,3 ... 10	5	PC (transparent)	1,17	B74G-4GK-QP1-RMN
	G3/4	—	Manual	0,3 ... 10	5	PC (transparent)	1,16	B74G-6GK-QP1-RMN
	G3/8	—	Automatic	0,3 ... 10	40	PC (transparent)	1,19	B74G-3GK-AP3-RMN
	G1/2	Basic	Automatic	0,3 ... 10	40	PC (transparent)	1,17	B74G-4GK-AP3-RMN
	G3/4	—	Automatic	0,3 ... 10	40	PC (transparent)	1,16	B74G-6GK-AP3-RMN
	G3/8	—	Automatic	0,3 ... 10	5	PC (transparent)	1,19	B74G-3GK-AP1-RMN
	G1/2	Basic	Automatic	0,3 ... 10	5	PC (transparent)	1,17	B74G-4GK-AP1-RMN
	G3/4	—	Automatic	0,3 ... 10	5	PC (transparent)	1,16	B74G-6GK-AP1-RMN

Option selector

B74G-★-★-★-★-★-★-★-★-★-★-★-★-★-★

Port size	Substitute
3/8"	3
1/2"	4
3/4"	6
Thread form	Substitute
PTF	A
ISO G parallel (standard)	G
Adjustment	Substitute
Knob (standard)	K
T-bar	T*1)
Drain	Substitute
Manual (standard)	Q
Auto drain (standard)	A
Bowl	Substitute
Metal with liquid indicator	D
Transparent with guard (standard)	P

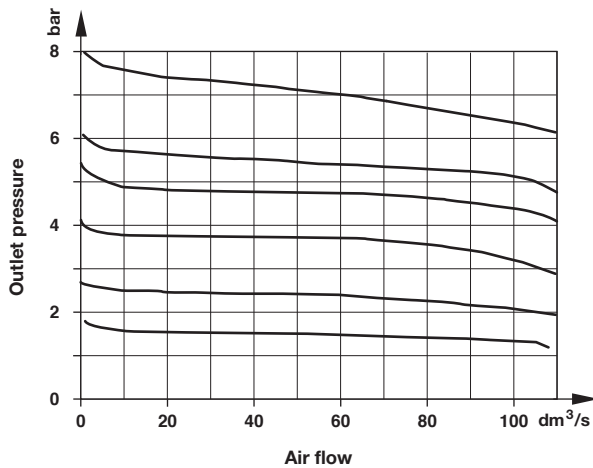
Gauge	Substitute
Without (standard)	N
With	G
Pressure range *2)	Substitute
0,3 ... 4 bar	F
0,3 ... 10 bar (standard)	M
0,7... 17 bar	S*1)
Diaphragm	Substitute
Relieving (standard)	R
Non relieving	N
Element	Substitute
40 µm (standard)	3
5 µm	1

*1) Units with 17 bar outlet pressure range are available only with the T-bar adjustment; therefore substitute T at the 7th position and S at the 12th position.

*2) Outlet pressure can be adjusted to pressures in excess of, and less than, those specified. Do not use these units to control pressures outside of the specified ranges.

Flow characteristics

Inlet pressure: 10 bar (145 psi)
Port size: 1/2", 40 µm element



Accessories

<p>Wall mounting bracket</p> <p>Page 4</p> <p>4324-50</p>	<p>Quikclamp®</p> <p>Page 4</p> <p>4314-51</p>	<p>Quikclamp with wall bracket®</p> <p>Page 4</p> <p>4314-52</p>	<p>NECK mounting bracket</p> <p>Page 4</p> <p>4368-51</p>	<p>Panel nut</p> <p>4348-89</p>	<p>Tamper resistant kit</p> <p>4355-51</p>
--	---	---	--	--	---

<p>Quikmount pipe adaptor *1)</p> <p>Page 4</p> <p>G3/8: 4315-10 G1/2: 4315-11 G3/4: 4315-12 3/8 PTF: 4315-02 1/2 PTF: 4315-03 3/4 PTF: 4315-04</p>	<p>Porting block with three alternative 1/4" ports</p> <p>Page 4</p> <p>G1/4: 4316-52 1/4 PTF: 4316-50</p>	<p>2/2 Shut-off valves (for full technical specification see datasheet 8.200.600)</p> <p>Page 5</p> <p>G3/8: T74B-3GA-P1N G1/2: T74B-4GA-P1N G3/4: T74B-6GA-P1N 3/4 PTF: T74B-6AA-P1N</p>	<p>3/2 Shut-off valves (for full technical specification see datasheet 8.200.600)</p> <p>Page 5</p> <p>G3/8: T74T-3GA-P1N G1/2: T74T-4GA-P1N G3/4: T74T-6GA-P1N 1/2 PTF: T74T-4AA-P1N 3/4 PTF: T74T-6AA-P1N</p>
---	--	---	--

*1) Please use a Quikmount pipe adaptor if the Quikclamp be mounted at inlet or outlet side.

Pressure switch

<p>Porting block for pressure switch</p> <p>Page 4</p> <p>0523110000000000</p>	<p>Pressure switch (0,5 ... 8 bar)</p> <p>0881300000000000</p>
---	---

Padlock

<p>Padlock (brass) with two keys *1)</p> <p>0613633000000000</p>

*1) For shut-off valves and tamper resistant kit

Service kit

<p>Service kit for auto drain</p>		<p>Service kit for manual drain</p>	
Element			
40 µm	B74G-KITA40R	B74G-KITM40R	
5 µm	B74G-KITA05R	B74G-KITM05R	

Gauge

Center back connection, white face (for full technical specification see datasheet 8.900.900)

Pressure range bar *1)	MPa	psi	Ø	Thread size	Model
0 ... 6	0 ... 0,6	0 ... 84	50 mm	R1/8	18-015-012
0 ... 10	0 ... 1	0 ... 145	50 mm	R1/8	18-015-013
0 ... 25	0 ... 2,5	0 ... 362	50 mm	R1/8	18-015-014

*1) primary scale

Center back connection, black face for North America (for full technical specification see datasheet 8.900.900)

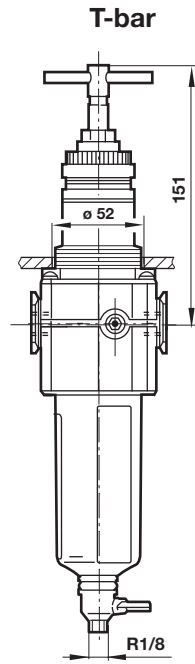
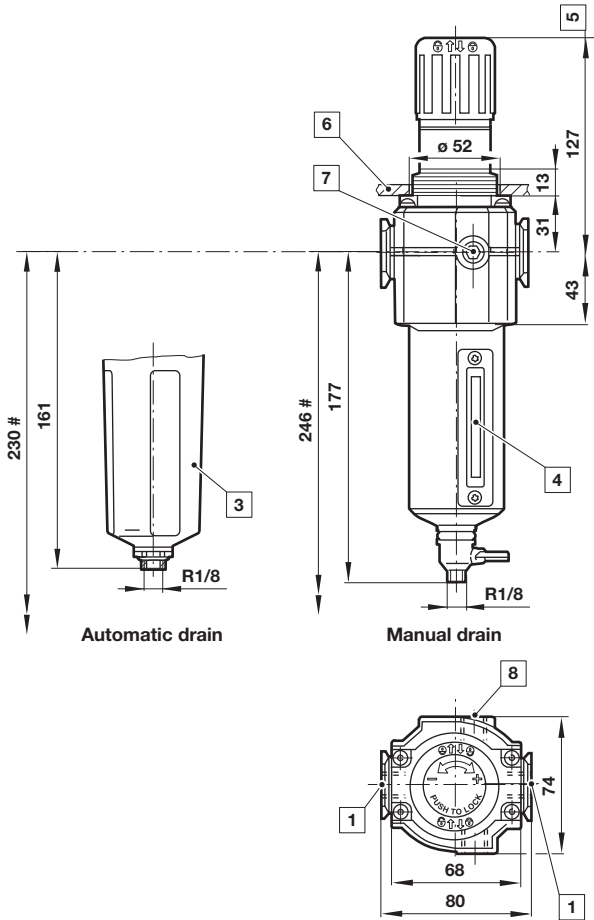
Pressure range

psig *1)	bar	MPa	Ø	Thread size	Model
0 ... 60	0 ... 4	0 ... 0,4	2" (50 mm)	1/4 NPT	18-015-208
0 ... 160	0 ... 11	0 ... 1,1	2" (50 mm)	1/4 NPT	18-015-209
0 ... 300	0 ... 20	0 ... 2,1	2" (50 mm)	1/4 NPT	18-015-210

*1) primary scale

Drawings

Dimensions in mm
 Projection/First angle



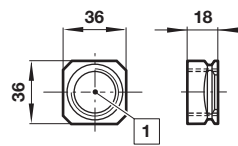
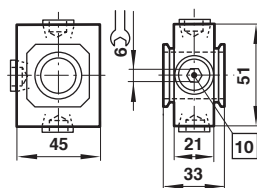
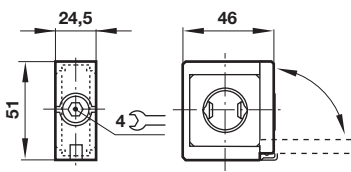
Minimum clearance required to remove bowl

- 1 Main ports 3/8", 1/2" or 3/4"
- 3 Transparent bowl with guard
- 4 Metal bowl with liquid indicator
- 5 Reduces by 4 mm with knob in locked position
- 6 Panel thickness 2 ... 6 max.
- 7 Gauge port Rc1/8 for ISO G and 1/4 PTF for PTF main ports
- 8 Alternative gauge port plugged

Accessories
Quikclamp®

Porting block

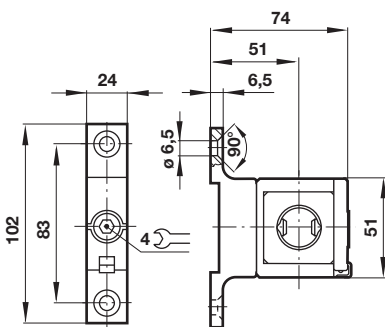
Pipe adapter

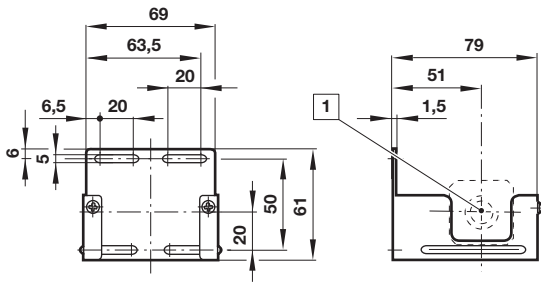


10 Ports 1/4" ISO G/PTF plugged

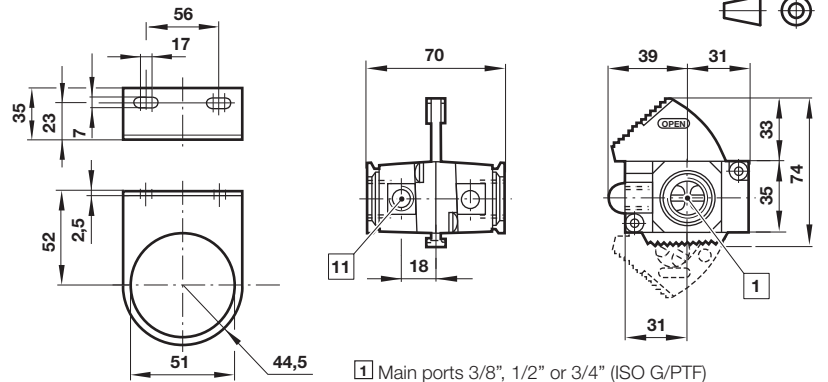
1 Main ports 3/8", 1/2" or 3/4" ISO G/PTF

Quikclamp® with wall bracket



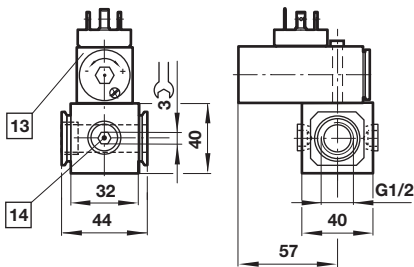
Wall mounting bracket


1 Main ports

Neck mounting bracket Shut-off valves


1 Main ports 3/8", 1/2" or 3/4" (ISO G/PTF)
 11 Exhaust port Rc1/8 at 3/2 valve only

Dimensions in mm
 Projection/First angle

Porting block for pressure switch


13 Pressure switch is not in scope of delivery
 14 Alternative G1/4 ports plugged

Warning

These products are intended for use in industrial compressed air systems only. Do not use these products where pressures and temperatures can exceed those listed under »**Technical features/data**«.

Before using these products with fluids other than those specified, for non-industrial applications, life-support systems or other applications not within published specifications, consult IMI Precision Engineering, Norgren Inc.

Through misuse, age, or malfunction, components used in fluid power systems can fail in various modes. The system designer is warned to consider the failure modes of all component parts used in fluid power systems and to provide adequate safeguards to prevent personal injury or damage to equipment in the event of such failure.

System designers must provide a warning to end users in the system instructional manual if protection against a failure mode cannot be adequately provided.

System designers and end users are cautioned to review specific warnings found in instruction sheets packed and shipped with these products.