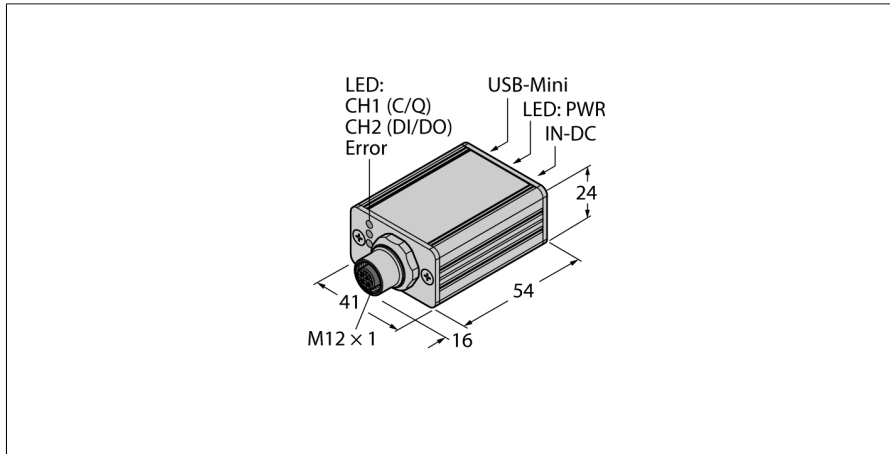


IO-Link Master v1.1 with Integrated USB Port

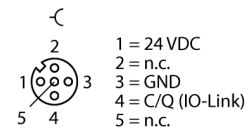
1-Channel Operation in IOL or SIO Mode

USB-2-IOL-0002



- USB-compatible IO-Link master
- Commissioning/parameterization of IO-Link devices via FDT/DTM
- Control environment not required
- Transmission of process and service data
- Integrated connectors: USB/B, M12 × 1, power supply
- Power supply via USB or external power supply unit (included in set)
- Compact aluminum housing
- Protection class IP40

M12 × 1



| | |
|--------------------------------------|--|
| Type | USB-2-IOL-0002 |
| ID | 6825482 |
| IO-Link | 1-channel operation in IOL or SIO mode |
| Function | SIO, COM1, COM2, COM3 |
| Number of IO-Link port | 1 |
| Network | USB |
| Supply voltage | 24 VDC |
| IO-Link port | M12 x 1 (A-coded) |
| Max. load current above IO-Link port | 40 mA via USB-B (1.6 A via plug-in power supply) |
| Network connection | USB-B |
| Dimensions | 54 x 41 x 24 mm |
| Weight | approx. 0.096 kg |
| Ambient temperature | -5...+55 °C |
| Storage temperature | -25...+70 °C |
| Protection class | IP40 |

Functional principle

IO-Link devices are easily put into operation with the IO-Link master 1.1.

Commissioning of IO-Link devices, reading of process data (PD) and reading/writing of specified service data (SD) is possible, independently from the higher-level control. Pin 4 (C/Q) of the IO-Link master can be operated either in the IO-Link mode (IOL) or in the standard IO mode (SIO), depending on the DTM parametrization. The following transmission rates are possible 4.8 kbps (COM1), 38.4 kbps (COM2) and 230.4 kbps (COM3). Depending on the connected IO-link device, data back-up via an integrated parametrizing server is also supported.

Easy connection to PC via USB port. Latest DTM version available for download on www.turck.com.

IO-Link devices are directly supplied via the integrated mini USB port. In the event of increased current consumption, the connected devices should be supplied by the external plug-in power unit.

LED status IO-Link master

| LED | Color | Status | Description |
|-------------------|--------|-----------------|--|
| PWR | yellow | off | power off |
| | | flashing | undervoltage, overload with power supply via USB |
| | | on | ready |
| CH1(C/Q) | green | off | SIO mode active |
| | | slowly flashing | IO-Link Scan Mode active, no communication |
| | | fast flashing | IO-Link Preoperate Mode active |
| | | on | IO-Link Operate Mode active |
| | yellow | off | low signal at port 1 |
| | | on | high signal at port 1 |
| CH2(DI/DO) | yellow | off | low signal at port 2 |
| | | on | high signal at port 2 |
| Error | red | off | no error |
| | | on | short-circuit, overload, communication error |