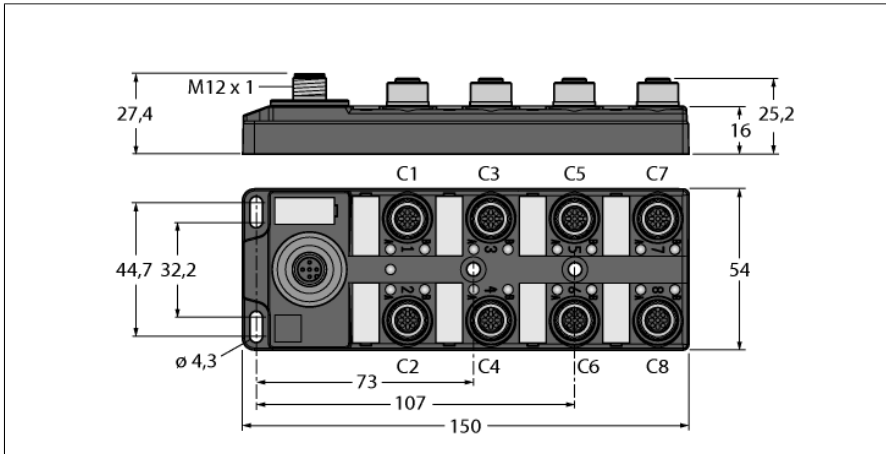


# I/O Hub for Connecting Digital Signals to IO-Link Master

## 16 Digital PNP Inputs

### TBIL-M1-16DIP

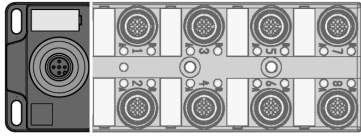


Type	TBIL-M1-16DIP
ID	6814100
Number of channels	16
Operating / load voltage	Total current max. 4 A per module 18...30 VDC
Operating current	Max. 135 mA
Power dissipation, typical	≤ 3.2 W
<b>Inputs</b>	
Number of channels	16 digital PNP inputs (EN 61131-2)
Type of input diagnostics	Group diagnostics
Input voltage	18 ... 30 VDC, e.g. from supply voltage
Low level signal voltage	-3...5 VDC (EN 61131-2, type 1 and 3)
High level signal voltage	11...30 VDC (EN 61131-2, type 1 and 3)
Max. input current	7 mA
Electrical isolation	inputs to FE 500VDC
Sensor supply	Firmware < 1.4.0.0: max. 1.6 A per module Firmware ≥ 1.4.0.0: max. 120 mA per plug
Actuator power supply	Max. 120 mA per slot
<b>IO-Link</b>	
IO-Link specification	V 1.1
Programming	FDT/DTM
Transmission physics	corresponds to 3-wire physics (PHY2)
Transmission rate	COM 2 / 38.4 kbps
Frame type	2.2
Minimum cycle time	2.3 ms

- IO-Link V1.1 Class A
- Glass fiber reinforced housing
- Shock and vibration tested
- Fully potted module electronics
- Protection classes IP65, IP67, IP69K
- 2 digital inputs per slot
- I&M data sets support installation and maintenance
- IO-Link diagnostics for short circuit and supply voltage

Dimensions (W x L x H)	54 x 150 x 27.4 mm
Housing material	PA6-GF30
Mounting	4 mounting holes Ø 4.3 mm
Ambient temperature	-40...+70 °C
Storage temperature	-40...+85 °C
Altitude	Max. 5000 m
Vibration test	Acc. to EN 60068-2-6 Acceleration up to 20 g
Shock test	Acc. to EN 60068-2-27
Drop and topple	Acc. to IEC 60068-2-31/IEC 60068-2-32
Electromagnetic compatibility	Acc. to EN 61000-6-2/-6-4
Protection class	IP67 IP69K
MTTF	139 years
Approvals	CE, cULus
UL Certificate	cULus LISTED 21 W2, Encl.type 1 IND.CONT.EQ.

## Pin configuration and wiring diagrams

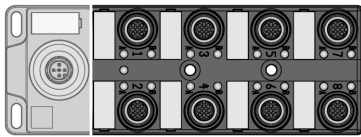
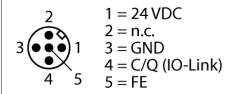


### Note

Suitable **IO-Link cables** (Excerpt):  
 2 m: RKC4T-2-RSC4T/TXL (Ident. no. 6625604)  
 5m: RKC4T-5-RSC4T/TXL (Ident. no. 6625730)  
 Further lengths and variants in the product catalog or on request

Suitable **IO-Link masters** (Excerpt):  
 BL20-E-4IOL (ID number 6827385)  
 BL67-4IOL (ID number 6827386)  
 TBEN-S2-4IOL (ID number 6814024)  
 Further types in the product catalog or on request

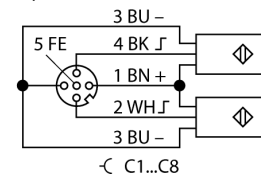
M12 x 1 IO-Link



### Note

Suitable **sensor supply cables** (example):  
 2 m: RSC4.4T-2/TXL ID number (6625527)  
 5 m: RSC4.4T-5/TXL ID number (6625528)  
 Further lengths and variants in the product catalog or on request

M12 x 1 Input



## Module LED status

LED	Color	Status	Description
IO-Link	Green	OFF	Power off
		Flashing	IO-Link communication OK, valid process data is sent
	Red	ON	IO-Link communication or module error
		Flashing	IO-Link communication OK, invalid process data or diagnosis enabled

## Inputs LED Status

LED	Color	Status	Description
C1 A / B ... C8 A / B	Green	OFF	Input inactive, logic 0
		ON	Input active, logic 1

C ... = Slot number, A / B = Signal LED (signal A = pin 4, B = signal pin 2)

### Process Data Mapping of the Single Protocols

For more details on the corresponding protocols see manual.

	Byte	Bit 7 MSB	Bit 6	Bit 5	Bit 4	Bit 3	Bit 2	Bit 1	Bit 0 LSB
Inputs	0	DI8 C4P2 (B)	DI7 C4P4 (A)	DI6 C3P2 (B)	DI5 C3P4 (A)	DI4 C2P2 (B)	DI3 C2P4 (A)	DI2 C1P2 (B)	DI1 C1P4 (A)
	1	DI16 C8P2 (B)	DI15 C8P4 (A)	DI14 C7P2 (B)	DI13 C7P4 (A)	DI12 C6P2 (B)	DI11 C6P4 (A)	DI10 C5P2 (B)	DI9 C5P4 (A)

C... = slot no., P... = pin no.

#### Diagnostics / Events

Class/Qualifier			Code	Description	
Mode	Type	Instance			
0xC0	0x30	0x04	0xF4 appears	0x5110	Supply voltage too high
0x80	0x30	0x04	0xB4 disappears	0x5110	
0xC0	0x30	0x04	0xF4 appears	0x5111	Supply voltage too low
0x80	0x30	0x04	0xB4 disappears	0x5111	
0xC0	0x30	0x04	0xF4 appears	0x7710	Short circuit to GND
0x80	0x30	0x04	0xB4 disappears	0x7710	
0xC0	0x30	0x04	0xF4 appears	0x5000	Hardware error
0x80	0x30	0x04	0xB4 disappears	0x5000	

#### Device Parameters

ISDU		Parameter Name	Access R: Read W: Write	Data Length	Data Type	
Index	Sub-Index					
0x0C	0x02	Data Storage Lock	R/W	1Bit	Boolean	Lock Parameter Upload 0: Unlocked; 1: Locked Default: 0
0x10	0x00	Vendor Name	R	16 Bytes	String	TURCK
0x11	0x00	Vendor Text	R	32 Bytes	String	www.turck.com
0x12	0x00	Product Name	R	32 Bytes	String	TBIL-M1-16DIP
0x13	0x00	Product ID	R	16 Bytes	String	6814100
0x14	0x00	Product Text	R	32 Bytes	String	I/O HUB
0x15	0x00	Serial Number	R	16 Bytes	String	
0x17	0x00	FW Revision	R	16 Bytes	String	
0x18	0x00	Application Specific Tag	R/W	32 Bytes	String	Free text e.g for application name Default: ***
0x40	0x00	Parameter ID	R/W	4 Bytes	Unsigned 32	ID no. e.g. for module identification Default: 0x0000
0x41	0x00	Inverting Input	R/W	2 bytes	Unsigned 16	Inverting the input logic 0: Normal; 1: Inverted Default: 0x00