

# Ductile Iron Lug Body Butterfly Valve

Fire Protection • Lug Style • Ductile Iron Body • Indoor/Outdoor Service • Elastomer Encapsulated Disc • Optional Internal Supervisory Switches • ASME or ENBS Lug Style Connection

**300 PSI/ 20.6 Bar Non-Shock Cold Working Pressure**  
**Lug End Connections 2" through 12" Sizes**

UL/ULC LISTED •  
FM APPROVED • EPOXY COATED



APPROVED



## MATERIAL LIST

PART	SPECIFICATION
1. Plug	EPDM
2. Body	ASTM A536 65-45-12
3. O-Ring	Buna
4. Bottom Bushing	UNS S30400 Stainless Steel, PTFE Lined
5. Bottom Stem	ASTM A276 431 Stainless Steel
6. Disc	ASTM A536 65-45-12, EPDM Coated
7. Face Gasket	EPDM
8. Name Plate	Aluminum
9. Hex HD Cap Screw	Carbon Steel Zinc Coated
10. Lock Washer	Steel Zinc Coated
11. O-Ring	Buna
12. Upper Stem	ASTM A276 431 Stainless Steel
13. Upper Bushing	UNS S30400 Stainless Steel, PTFE Lined
14. Cylindrical shear pin	UNS S30400 Stainless Steel
15. Gear Operator W/O SW	ASTM A536 65-45-12 Body
15. Gear Operator W/ SW	ASTM A536 65-45-12 Body
16. Data Plate	Aluminum

Signal description:

1. Switch parameters: 16A 1/2HP 125/250VAC

2. Wiring diagram:



## LD-4863-8N

With Supervisory Switch

## LD-4863-8N-PN16

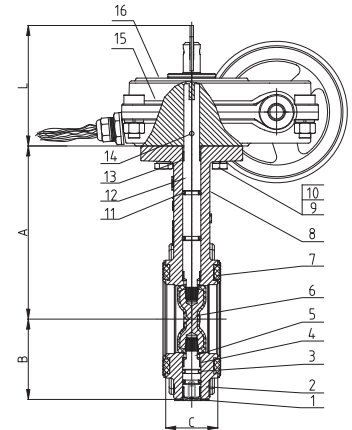
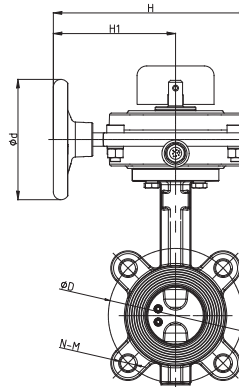
With Supervisory Switch

## LD-4863-4N

Without Supervisory Switch

## LD-4863-4N-PN16

Without Supervisory Switch



## DIMENSIONS — WEIGHTS

VALVE SIZE	A		B		C		L		H		H1		CL 150		PN16		Ød	WEIGHT					
	inch	mm	inch	mm	inch	mm	inch	mm	inch	mm	inch	mm	D BCØ	#-Fastener	D BCØ	#-Fastener		inch	mm	lbs	kg		
2	50	5.52	140.5	2.56	65	1.69	43	4.27	108.5	7.96	202.2	5.00	127.0	4.75	120.7	4 5/8	4.92	125	4 - M16	5.04	128	21.7	9.9
2½	65	6.00	153.0	2.79	71	1.81	46	4.27	108.5	7.96	202.2	5.00	127.0	5.50	139.7	4 5/8	5.71	145	4 - M16	5.04	128	23.1	10.5
3	80	6.20	157.5	3.19	81	1.81	46	4.27	108.5	7.96	202.2	5.00	127.0	6.00	152.4	4 5/8	6.3	160	8 - M16	5.04	128	24.6	11.1
4	100	6.93	176.0	3.74	95	2.05	52	4.27	108.5	7.96	202.2	5.00	127.0	7.50	190.5	8 5/8	7.09	180	8 - M16	5.04	128	31.7	14.4
5	125	7.52	191.0	4.37	111	2.20	56	4.27	108.5	7.96	202.2	5.00	127.0	8.50	215.9	8 3/4	8.27	210	8 - M16	5.04	128	37.5	17.0
6	150	7.97	202.5	5.24	133	2.20	56	4.27	108.5	8.46	215.0	5.49	139.5	9.50	241.3	8 3/4	9.45	240	8 - M20	8.86	225	46.8	21.3
8	200	9.59	243.5	6.46	164	2.36	60	4.27	108.5	10.79	274.0	7.81	198.5	11.75	298.5	8 3/4	11.61	295	12 - M20	8.86	225	61.9	28.1
10	250	10.75	273.0	7.72	196	2.65	68	4.27	108.5	10.79	274.0	7.81	198.5	14.25	362.0	12 7/8	13.98	355	12 - M24	8.86	225	91.5	41.5
12	300	12.24	311.0	8.90	226	3.07	78	4.65	118.0	11.56	293.5	7.81	198.5	17.00	431.8	12 7/8	16.14	410	12 - M24	8.86	225	131.5	59.7

### Notes

- Lug style butterfly valve with bolt pattern for flanges ASME B16.1 Class 125 or EN1092 PN16
- Rated operating pressure 300 PSI at temperatures 32°F to 180°F (0°C to 82°C)
- Listed and approved for fire protection as indicating shut off valve UL/ULC/FM and VdS
- Operating disc is EPDM encapsulated ductile iron
- Body is ductile iron coated with fusion bonded epoxy per ANSI/AWWA C550
- Integral EPDM rubber flange face gaskets
- Furnished with or without supervisory switches

### Optional Lug Styles

- ASME B16.1 Class 125
- ASME B16.5 class 150
- ASME B16.42 class 150
- EN 1092 PN16