

- > **Port size:**  
1/8 ... 1/2" (ISO G)
- > **Predefined options**  
provide ease of  
ordering
- > **Flexible configurations**
- > **Integrated gauge**  
reduces mounting time
- > **Push to lock adjusting**  
knob



### Technical features

#### Medium:

Compressed air,  
filtered to better than 40 µm

**Maximum operating pressure:**  
10 bar (145 psi)

#### Flow:

50 l/s max., at port size 1/2",  
10 bar inlet pressure, pressure set  
at 6,3 bar and 1 bar pressure drop  
from set.

#### Pressure range:

0,5 ... 8,5 bar (7,25 ... 123 psi)

#### Port size:

G1/8, G1/4, G3/8, G1/2

#### Ambient/Media temperature:

0 ... +60°C (+32 ... +140°F)

Air supply must be dry enough to  
avoid ice formation at temperatures  
below +2°C (+35°F).

#### Materials:

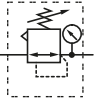
Valve Body: Anodized Aluminum

Main valve: Brass

Bonnet: Polyamide

Elastomers: Nitrile

### Technical data - standard models

Symbol	Port size	Flow rate (l/s)	Weight (kg)	Model	
				with gauge	without gauge
	G1/8	10	0,16	R49G-1GK-RMG	R49G-1GK-RMN
	G1/4	15	0,15	R49G-2GK-RMG	R49G-2GK-RMN
	G3/8	25	0,46	R49G-3GK-RMG	R49G-3GK-RMN
	G1/2	50	0,45	R49G-4GK-RMG	R49G-4GK-RMN

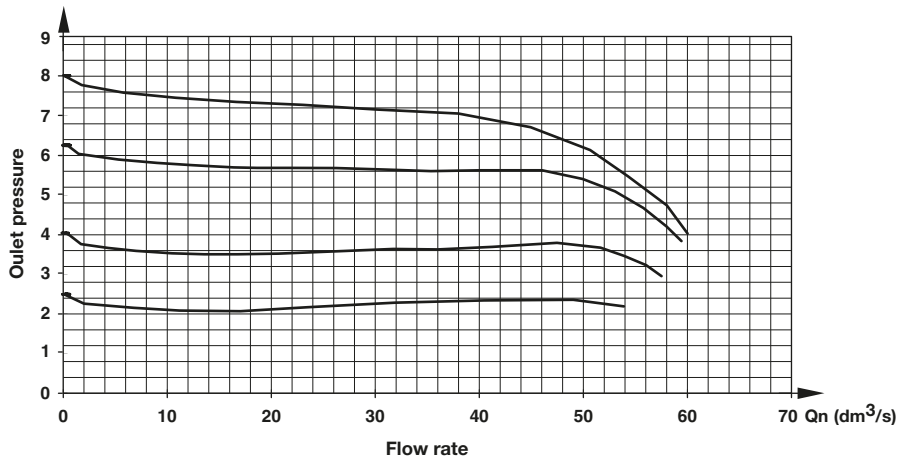
### Option selector

Option selector		R49G-★-★-★-★-★-★		Option selector	
Port size	Substitute			Gauge	Substitute
1/8"	1	←	→	With	G
1/4"	2			Without	N
3/8"	3			Outlet pressure adjustment range *1)	Substitute
1/2"	4			0,5 ... 8,5 bar	M
Thread form	Substitute	←	→	Diaphragm	Substitute
ISO G	G			Relieving	R
Adjustment	Substitute	←	→		
Knob (Standard)	K				




1\*) Outlet pressure can be adjusted in excess of and less than those specified. Do not use these units to control pressures outside of the specified ranges.

### Flow characteristics

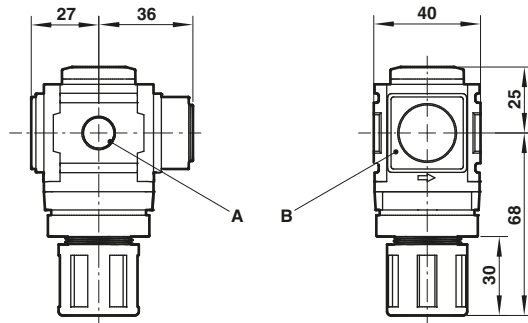
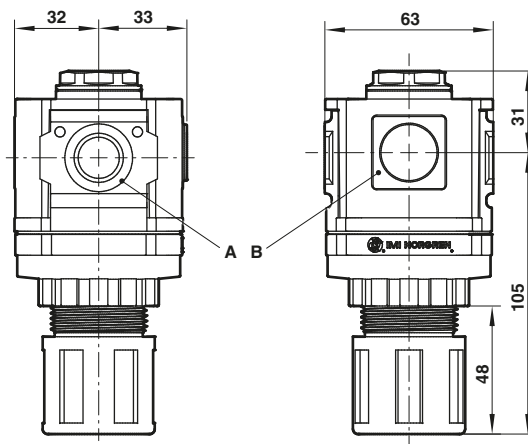
Range 0,5 ... 8,5 bar  
Port size 1/2"  
Inlet pressure (bar)



### Accessories

	L Bracket	C Bracket	Gauge
			
<b>Port size</b>	<b>Page 4</b>	<b>Page 4</b>	<b>Page 4</b>
G1/8 & G1/4	49B-011	49B-021	49B-GS01
G3/8 & G1/2	49B-012	49B-022	49B-GS02

**Dimensions  
G1/8 & G1/4**

 Dimensions in mm  
Projection/Third angle

**G3/8 & G1/2**


Port size (A)	B	Model
G1/8	without gauge	R49G-1GK-RMN
G1/8	with gauge	R49G-1GK-RMG
G1/4	without gauge	R49G-2GK-RMN
G1/4	with gauge	R49G-2GK-RMG
G3/8	without gauge	R49G-3GK-RMN
G3/8	with gauge	R49G-3GK-RMG
G1/2	without gauge	R49G-4GK-RMN
G1/2	with gauge	R49G-4GK-RMG

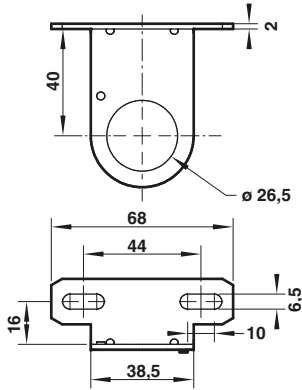
Accessories

Dimensions in mm  
Projection/Third angle



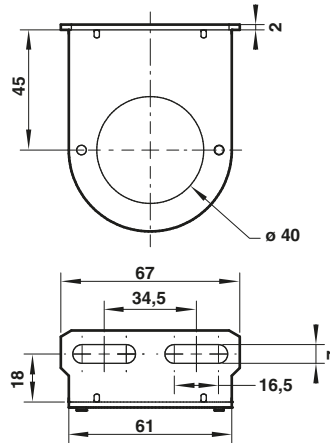
L Bracket

49B-011



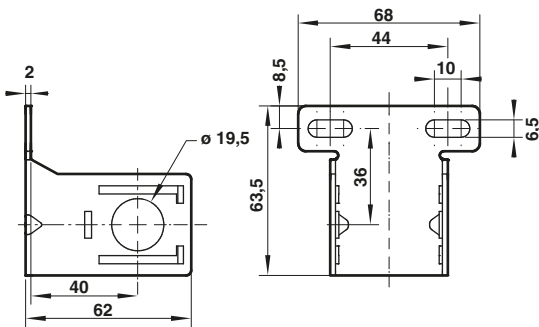
L Bracket

49B-012



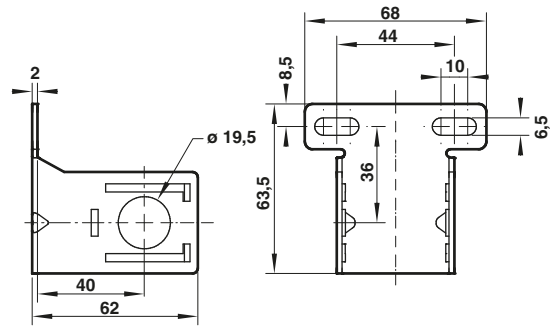
C Bracket

49B-021



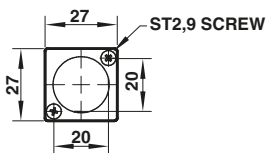
C Bracket

49B-022



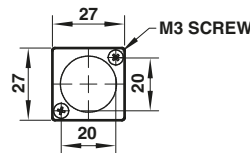
Gauge

49B-GS01



Gauge

49B-GS02



Warning

These products are intended for use in industrial compressed air systems only. Do not use these products where pressures and temperatures can exceed those listed under »**Technical features/data**«.

Before using these products with fluids other than those specified, for non-industrial applications, life-support systems or other applications not within published specifications, consult IMI Precision Engineering, Norgren Co. Ltd.

Through misuse, age, or malfunction, components used in fluid power systems can fail in various modes. The system designer is warned to consider the failure modes of all component parts used in fluid power systems and to provide adequate safeguards to prevent personal injury or damage to equipment in the event of such failure.

System designers must provide a warning to end users in the system instructional manual if protection against a failure mode cannot be adequately provided.

System designers and end users are cautioned to review specific warnings found in instruction sheets packed and shipped with these products.