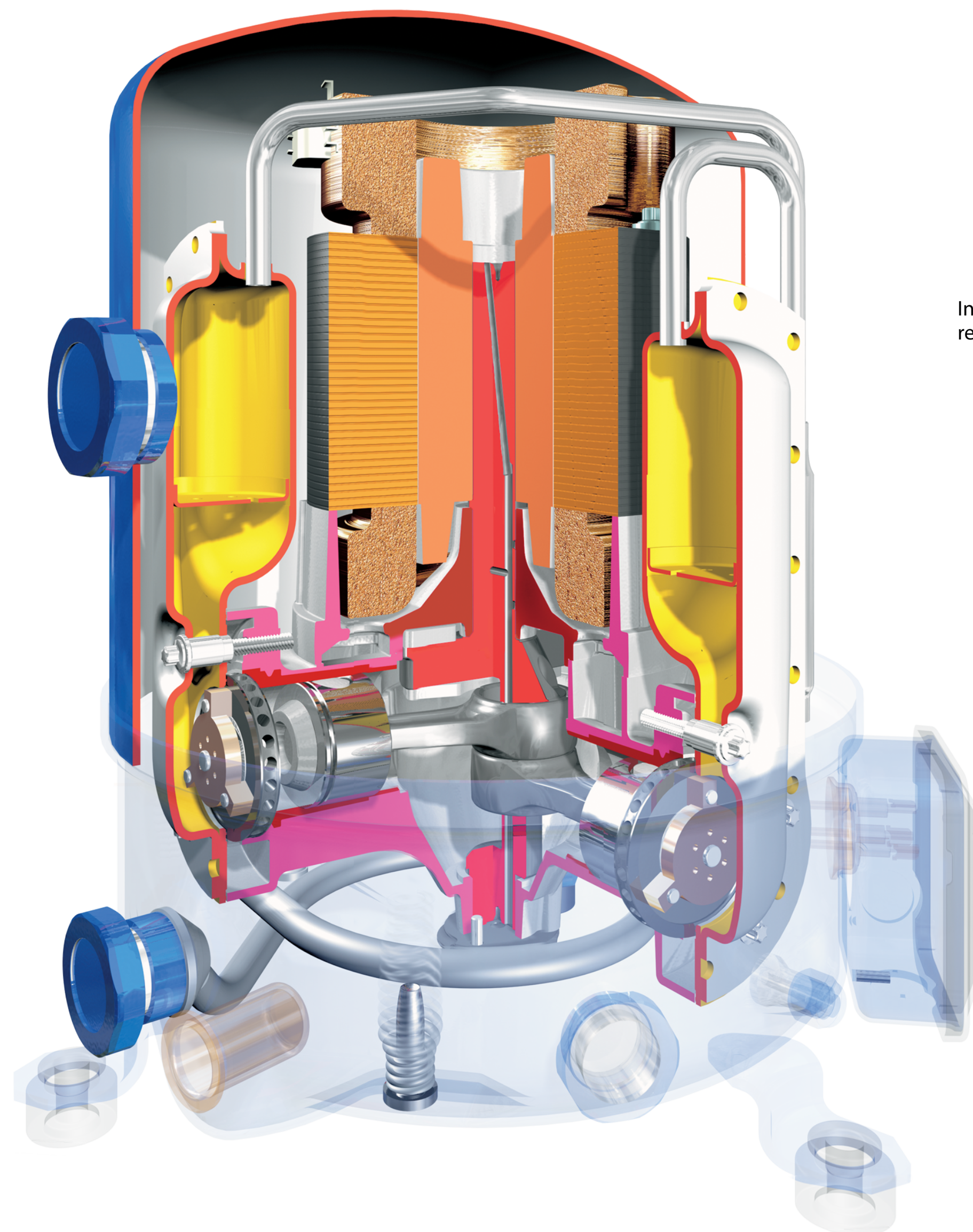
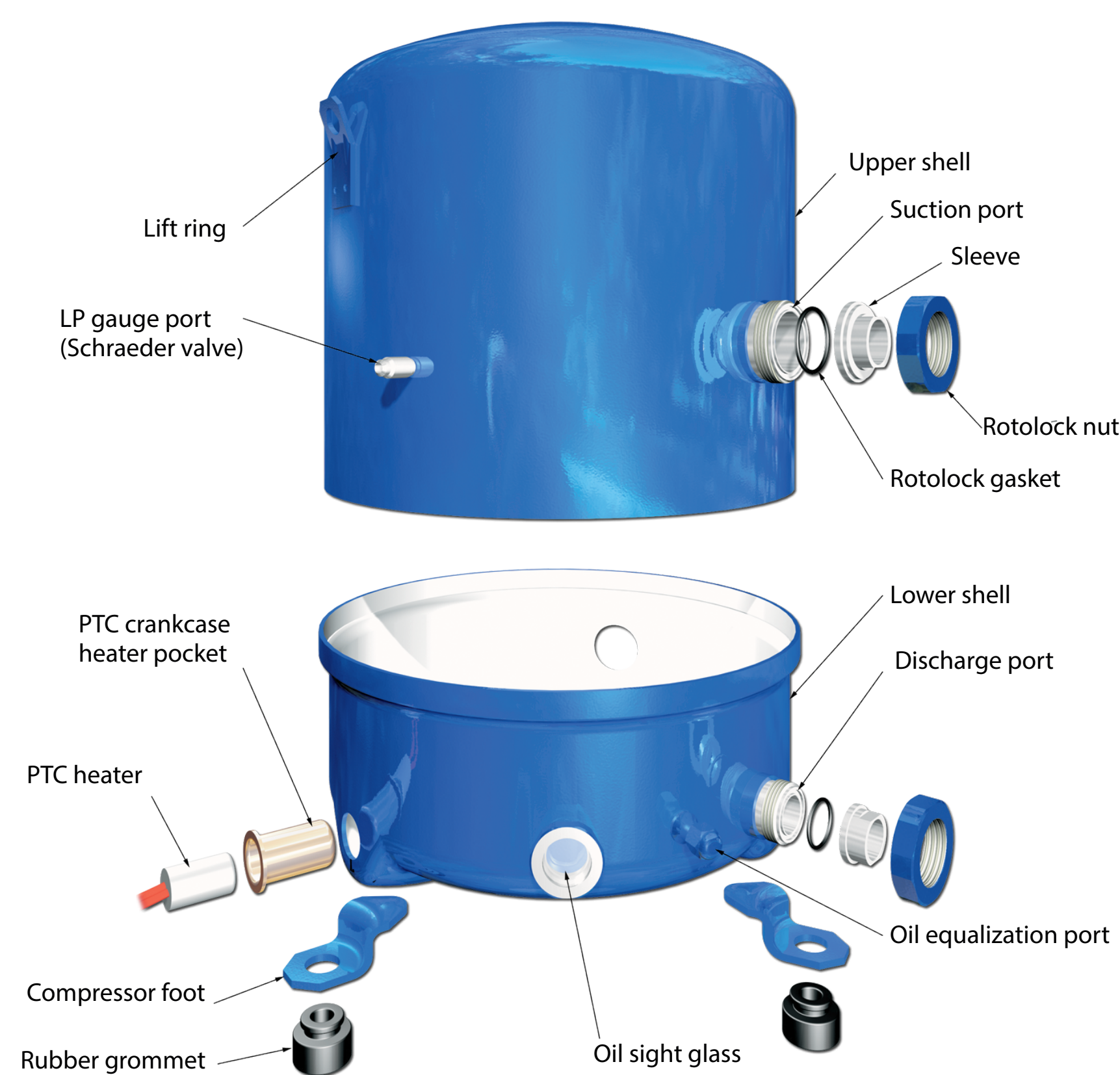


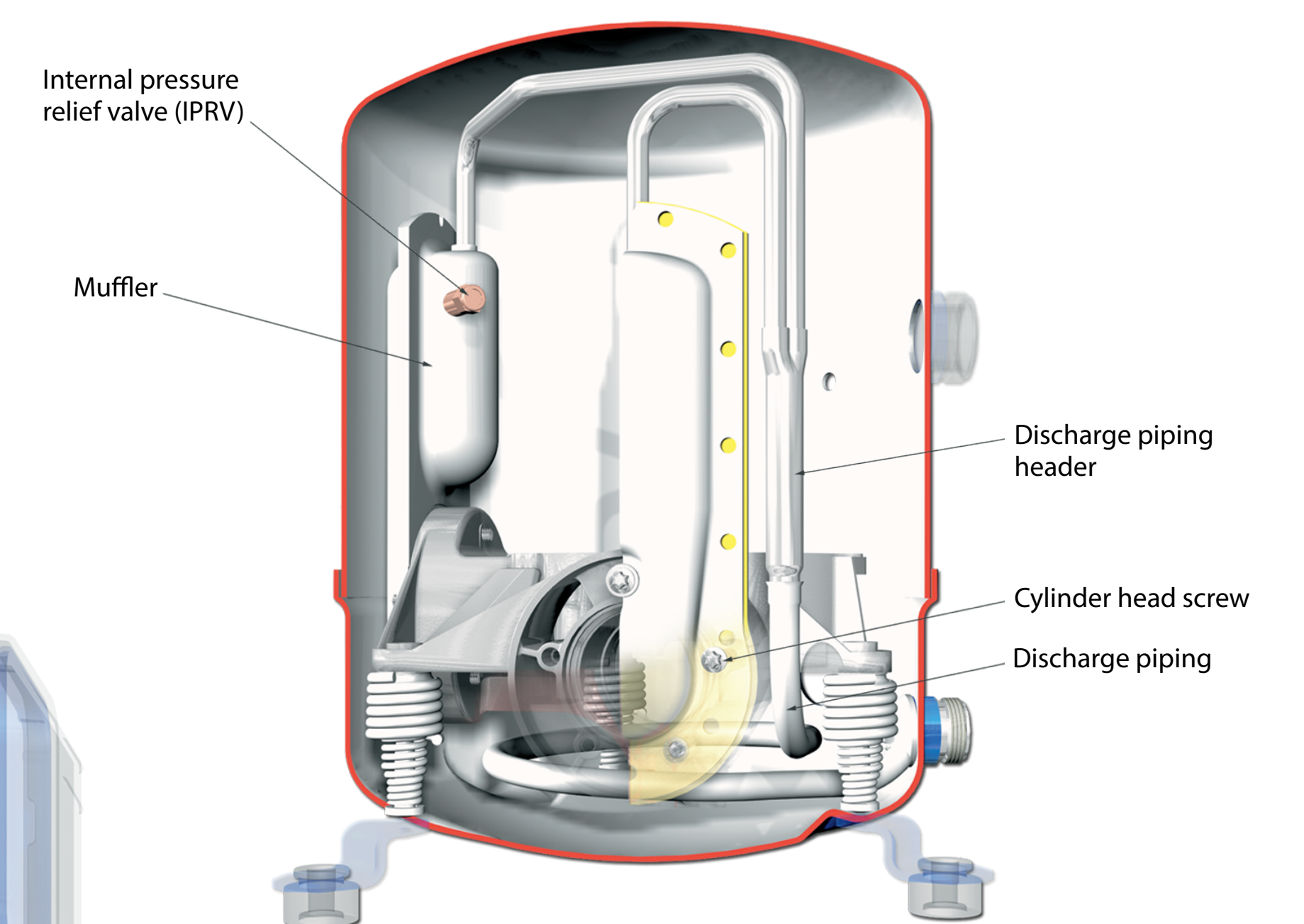
Maneurop reciprocating compressor

Generic 3D view

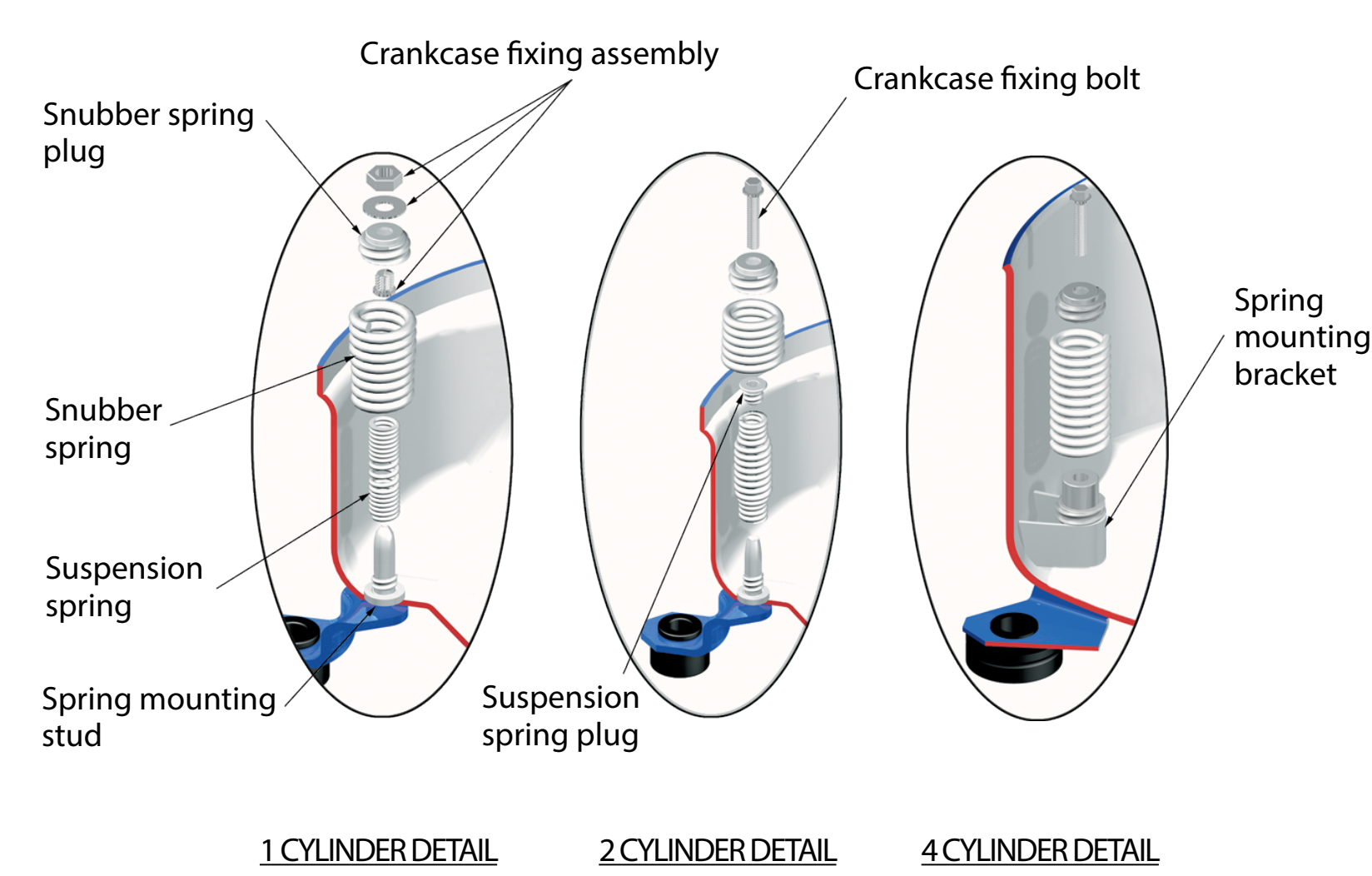
COMPRESSOR BODY



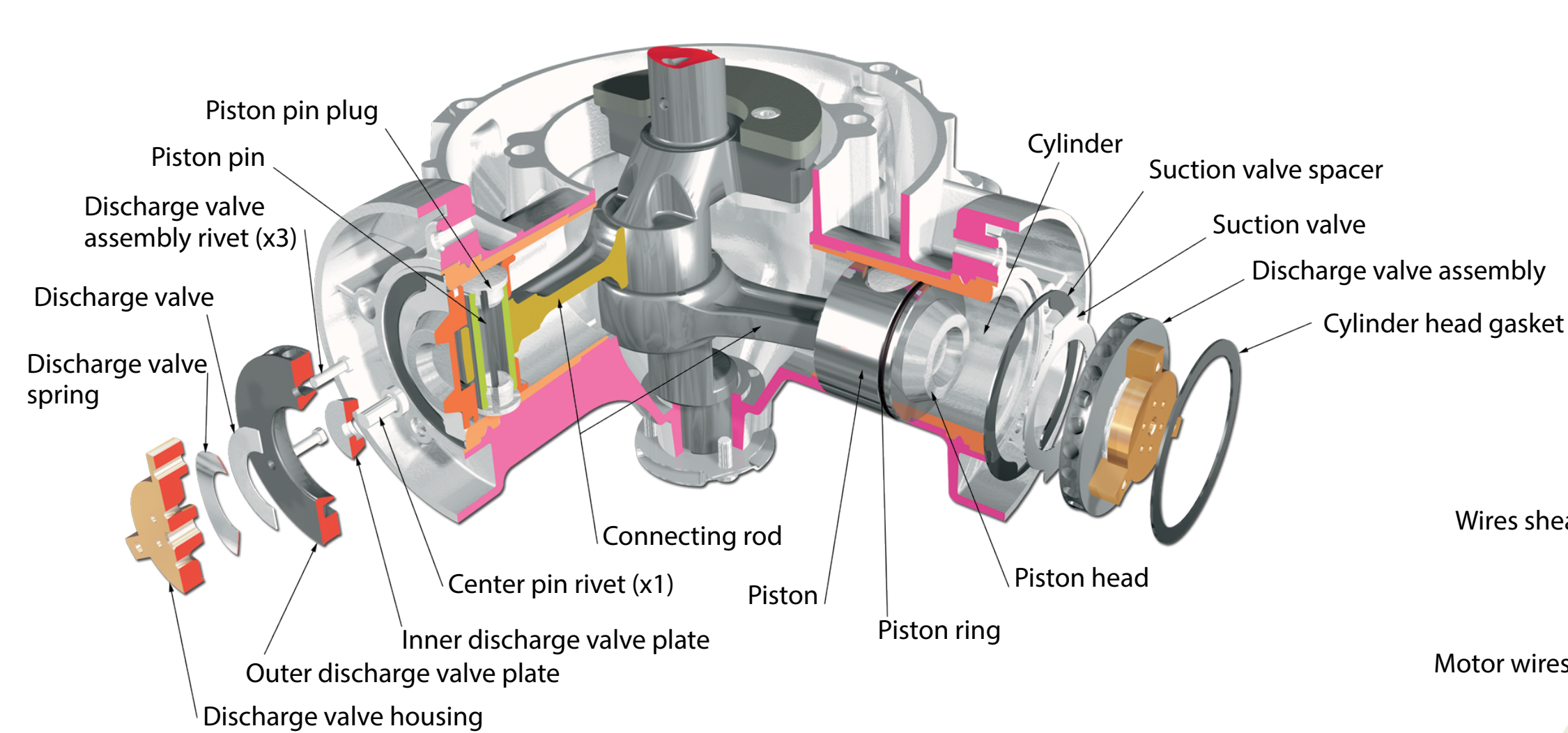
DISCHARGE PIPING



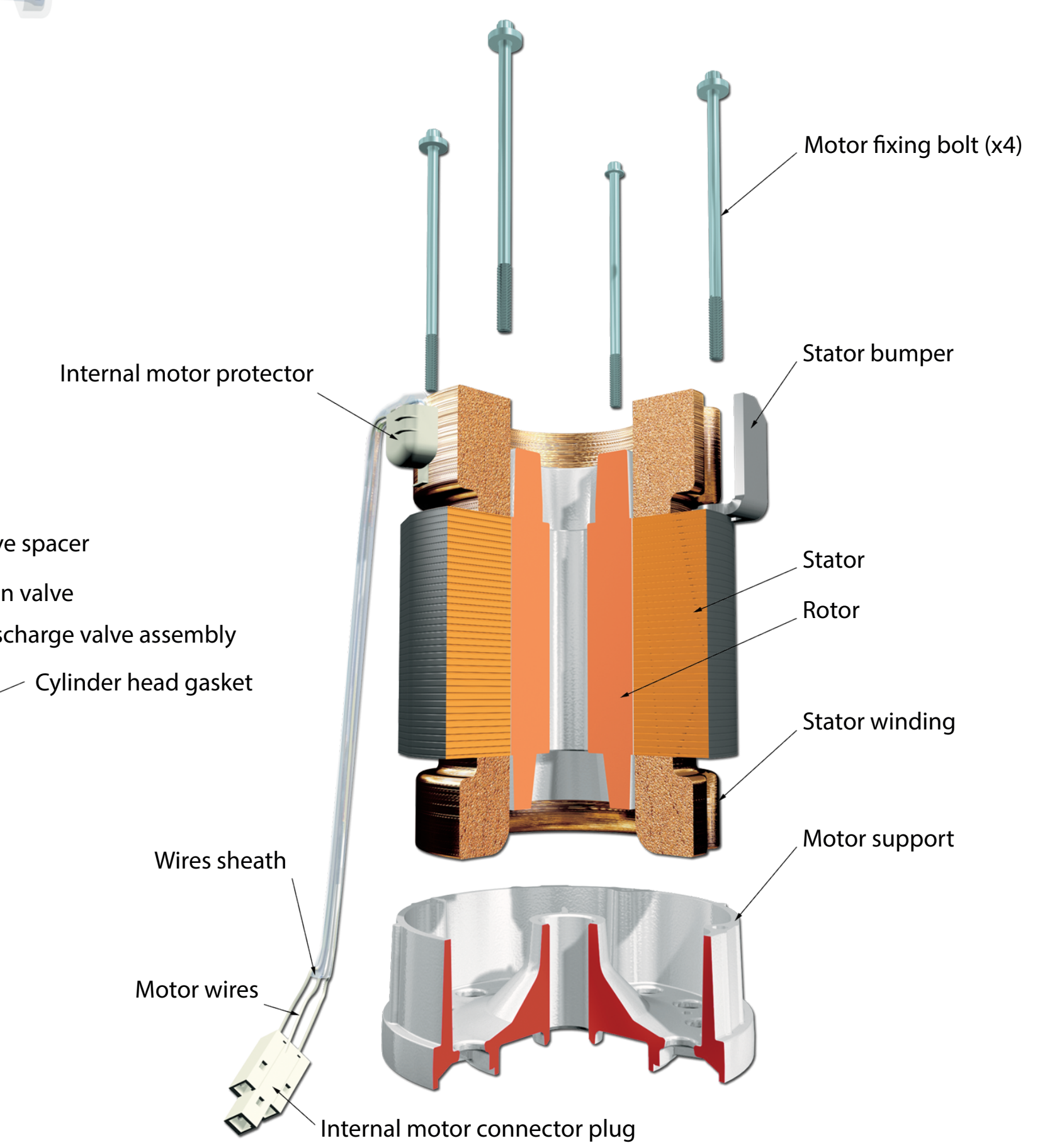
SUSPENSION



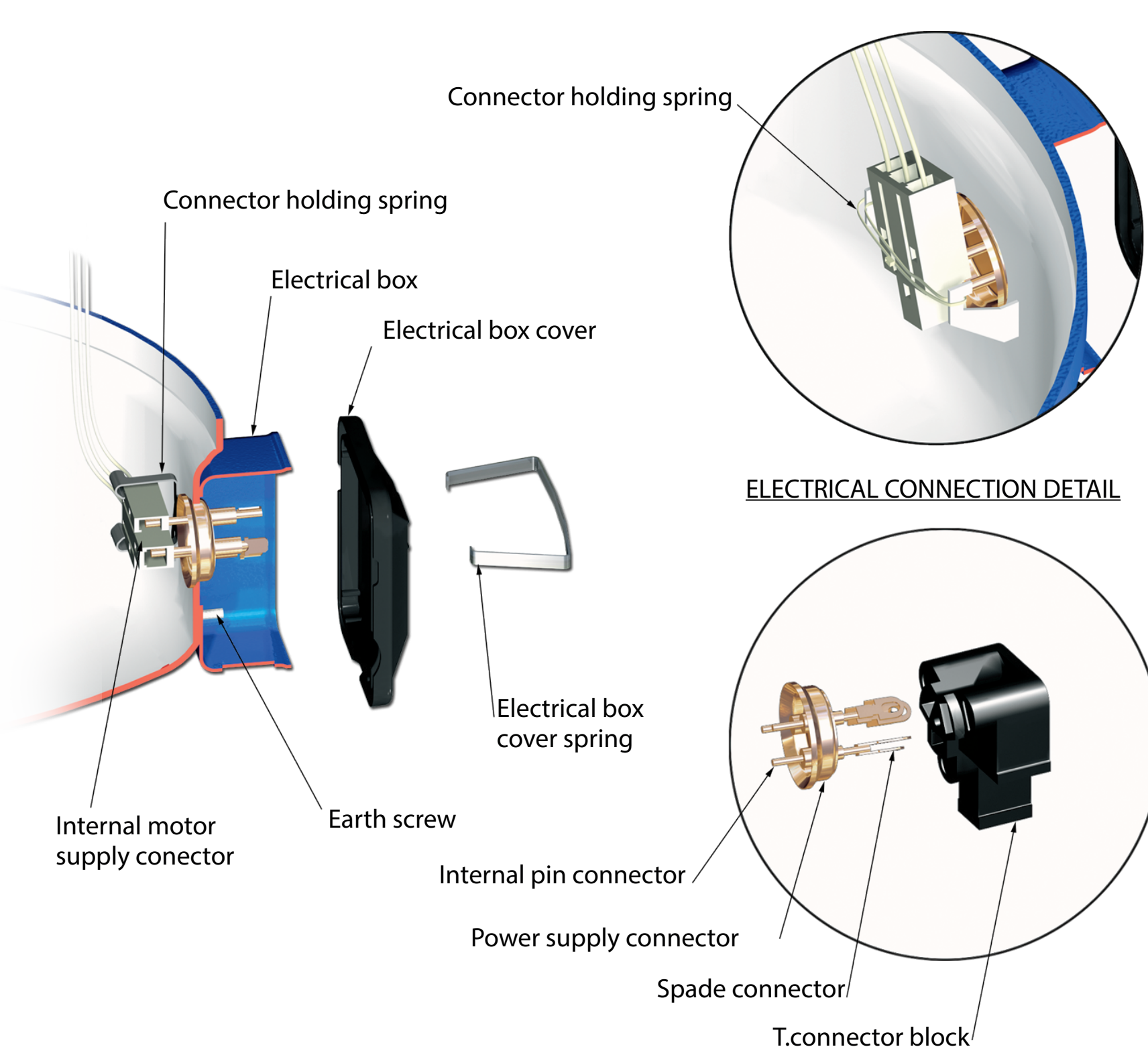
COMPRESSION SETS ASSEMBLY



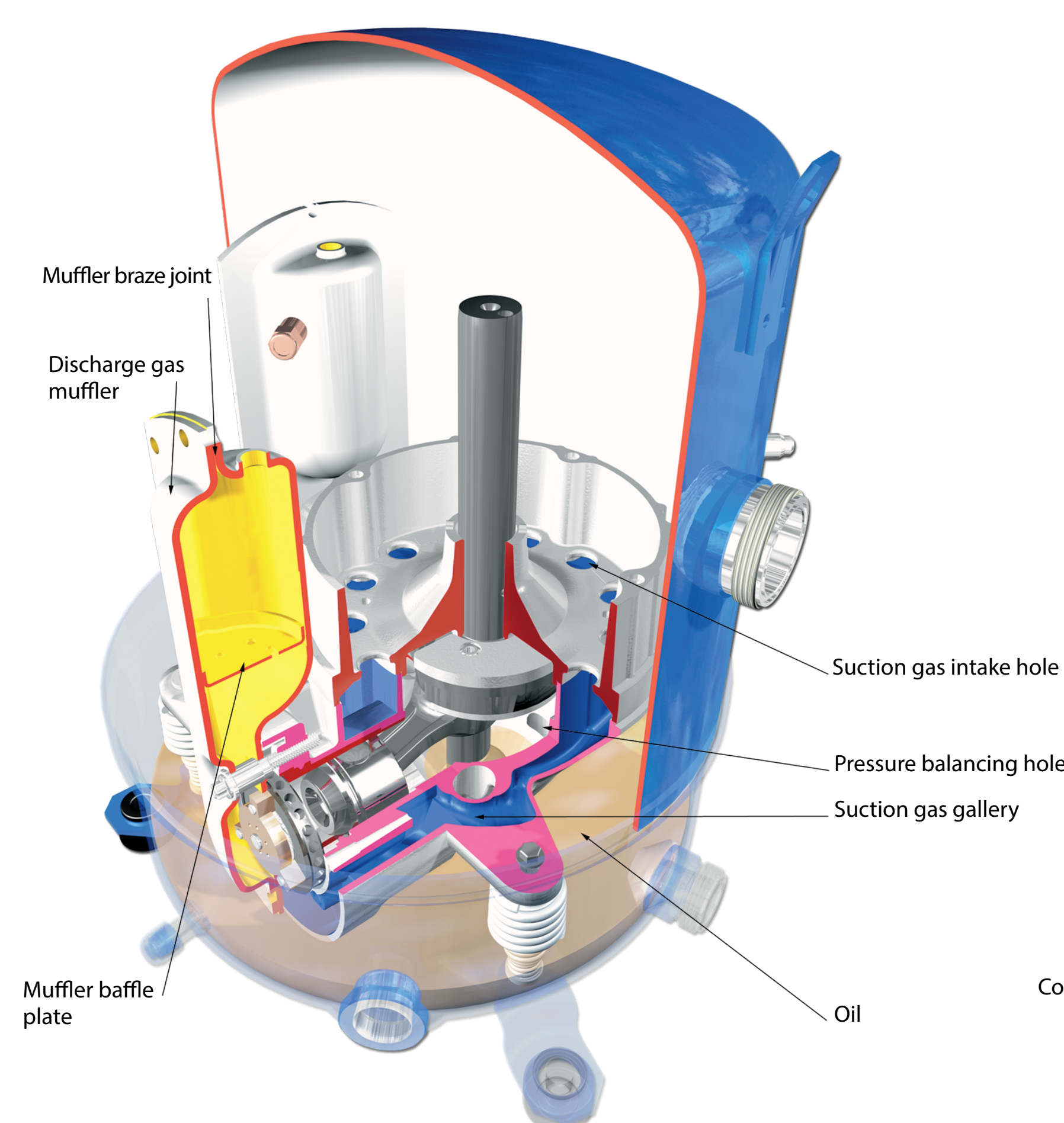
MOTOR



ELECTRICAL CONNECTION



GAS CIRCULATION



BEARING

