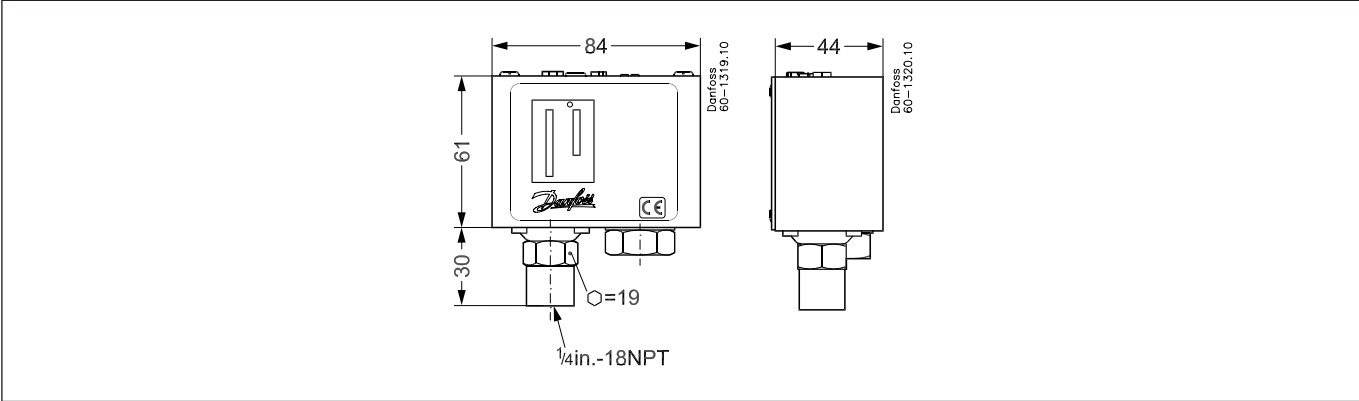


Installation guide

Pressure switch

Types KP 34, KP 35, KP 36 and KP 37

060R9365

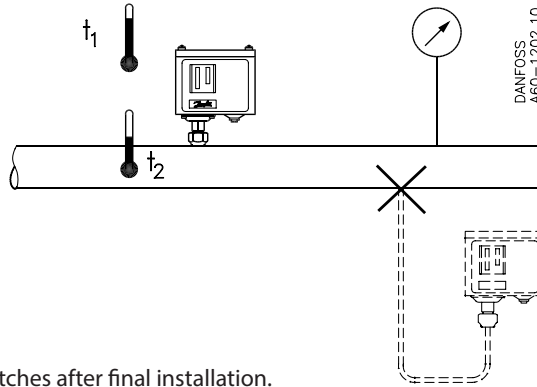


060R9365

KP 34, KP 35, KP 36 and KP 37

t_1 min. -40 °F
 t_1 max. 149 °F

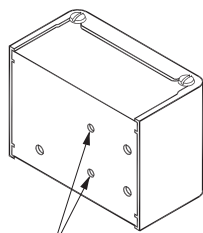
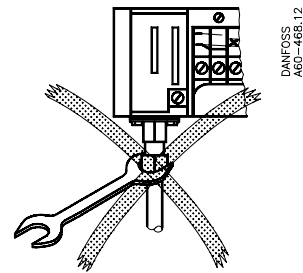
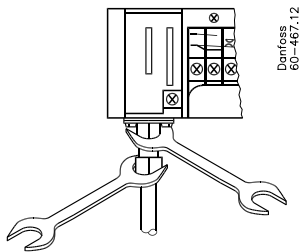
t_2 min. -40 °F
 t_2 max. 212 °F



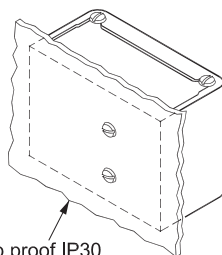
P_{test} max.

KP 34:	87 psi
KP 35:	319 psi
KP 36:	319 psi
KP 37:	465 psi

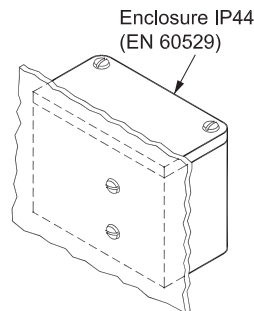
No maintenance is required for the switches after final installation.



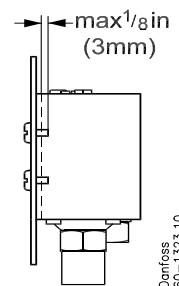
8-32 UNC (M4)



Drip proof IP30
(EN 60529)



Enclosure IP44
(EN 60529)



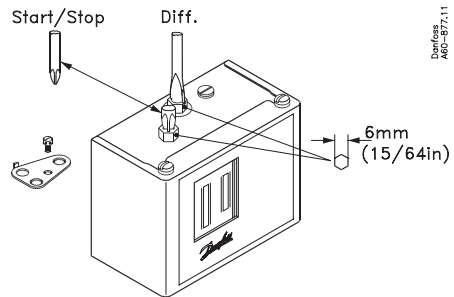
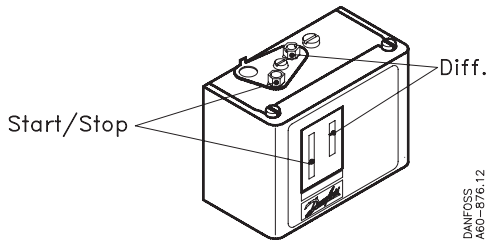
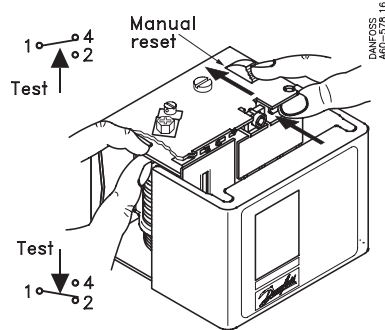
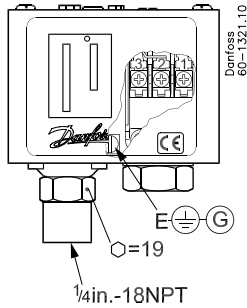
CAUTION:

The mounting panel must be plane to avoid damage of switch.



CAUTION:

Disconnect power supply before wiring connections are made or service to avoid possible electrical shock or damage to equipment.
Do never touch live parts with your fingers or with any tool.



Please note: scale in KP units is indicative only. For accurate setting or when using according to FM approval use additional pressure gauge to set the unit.

When used acc. to UL or FM regulations



Listed refrigeration controller 61B5

Voltage	FL	LR	Resist.	Pilot	
AC	DC	A	A	duty	
240		8	48	8A	3A
120		16	96	16A	
	240				12W

Use copper wire only
Tightening torque 20 lb. in.

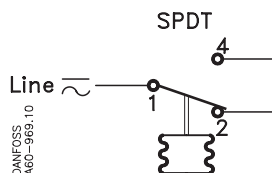
Contact system with standard AG contacts
Single pole changeover switch (SPDT).

Alternating current:

- AC-1: 16 A, 400 V
- AC-3: 16 A, 400 V
- AC-15: 10 A, 400 V

Direct current:

- DC-13: 12 W, 220 V



Contact system with gold contacts

Single pole changeover switch (SPDT): **1...30 mA, 5...30 V DC.**

Contact load when Au surface is burned away:

Alternating current:

- AC-1: 10 A, 400 V
- AC-3: 6 A, 400 V
- AC-15: 4 A, 400 V

Direct current:

- DC-13: 12 W, 220 V

