

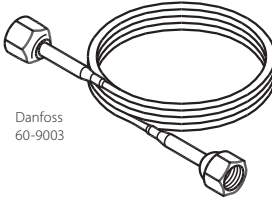
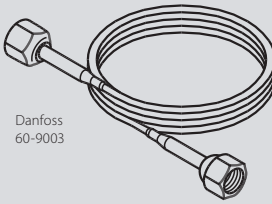
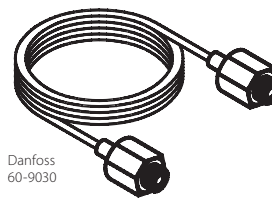
## Spare parts and accessories

### Pressure control

### Type KP

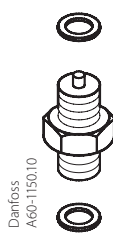

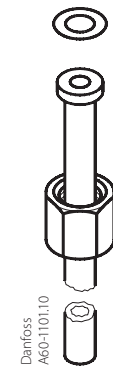

Description	Qty.	Code no.
<p>Danfoss 60-1059      Danfoss 60-1060</p>	<b>Front cover for single control</b> 1	060-008666
	<b>Front cover for dual control</b> 1	060-011366
<p>Danfoss 60-8021  Danfoss 60-8022</p>	<b>Top cover for single control</b> Top plate 1 Screw 2	060-109766
	<b>Top cover for dual control</b> Top plate 1 Screw 2	060-109866
	<b>Protective cap for single control</b> 1	060-003166
	<b>Protective cap for dual control</b> 1	060-003266
<p>Danfoss 60-1301.10</p>	1	060-033066
<p>Danfoss 60-1302.10</p>	1	060-035066
<p>Danfoss 60-9002      Danfoss 60-1064</p>	<b>Wall bracket</b> Bracket 1 Screw, M4 x 6 4 Washer 4	060-105566

Description	Qty.	Code no.	
<p>Danfoss 60-1064      Danfoss 60-9045</p>	<b>Angle bracket</b> Bracket 1 Screw, M4 x 6 4 Washer 4	060-105666	
	<p>Danfoss 60-890</p>	<b>Locking plate with screw</b> Plate (1) 1 Screw (2) 1	060-018966
	<p>Danfoss A60-236.13</p>	2	060-105766
<p>Danfoss 60-1065</p>	<b>Screwed cable entry, Pg 13.5</b> Cable entry 1 Nut 1	060-105966	

Description		Code no. Multi pack	Code no. Industrial pack
<b>Capillary tube, copper</b> ¼ in. or 6 mm flare nut   Danfoss 60-9003	21 mm tube "tail"		
	0.5 m	—	060-019066 <sup>1)</sup>
	1.0 m	060-004866	060-019166 <sup>1)</sup>
	1.5 m	—	060-019266 <sup>1)</sup>
	2.0 m	060-016366	060-019366 <sup>1)</sup>
	50 mm tube "tail"		
	0.5 m	—	060-007066 <sup>1)</sup>
	1.0 m	060-017166	060-007166 <sup>2)</sup>
	1.5 m	—	060-007266 <sup>1)</sup>
	with Schraeder valve opener		
0.5 m	—	060-000466 <sup>1)</sup>	
1.0 m	—	060-000566 <sup>1)</sup>	
<b>Capillary tube, steel</b> not for NH <sub>3</sub>   Danfoss 60-9003	¼ in. or 6 mm flare nut		
	1.0 m	060-016766	—
	1.5 m	060-016866	—
<b>Capillary tube, steel</b> for NH <sub>3</sub>   Danfoss 60-9030	M10 × 0.75		
	1.0 m	060-007866	—
	G ¾ and M10 × 0.75		
1.0 m	060-008266	—	

<sup>1)</sup> 50 pcs.

<sup>2)</sup> 40 pcs.

Description		Qty.	Code no.
 Danfoss A60-1150.10	<b>Nipple</b> M10 × 0.75 / G ¼ A		<b>060-010466</b>
	Nipple	1	
	Alu gasket	2	
 Danfoss A60-1102.10	<b>Cutting ring coupling</b> for 6 mm steel tube	1	<b>060B121066</b>
 Danfoss A60-1101.10	<b>Weld nipple</b> M10 × 0.75 for NH <sub>3</sub>		<b>060-005766</b>
	Union	1	
	Nipple, OD 6 mm × 150 mm	1	
	Alu gasket	1	
 Danfoss 11L9002	<b>Damping device,</b> <b>ID = 0.3 mm</b>	2	<b>060-104866</b>