

Mueller Steam Specialty

Model: 65M, 66M

Cast Iron or Ductile Iron Wafer and Full Lug Butterfly Valve

ANSI Class 125 lb.



Model 65M (wafer)



Model 66M (lug)

Pressure Temperature Rating

** In accordance with ANSI B16.1 or B16.5
 Working Pressure Non-Shock
 Model: 65M, 66M 2"-12"
 200 PSI-WOG
 Model: 65M, 66M 14"-36"
 150 PSI-WOG

Maximum temperature depends on seat material. See elastomer guide.

SERVICE RECOMMENDATIONS

Soft seated butterfly valves are designed for general applications such as on-off, throttling and isolation in residential, commercial and industrial piping systems. They are well suited for control of water, steam, air, oil and gases. The seat design is especially well suited for vacuum service to 28" Hg and high velocity service.

FEATURES

The dual durometer seat is made of a highly wear resistant elastomer with a phenolic backup ring. This combination provides a soft, elastic seat which will not collapse under vacuum or high velocity service and eliminates the need for flange gaskets. The stem seals consist of a primary seal between the spherical disc hub and the spherical seat hub. The secondary seals are O-rings at the top and bottom of the stem to retain lubrication and prevent atmospheric corrosion. The one piece stem is blowoff proof.

These valves can be furnished in a variety of trim materials. Ten position handles are available for manual operation as well as a gear operator with handwheel. Pneumatic, hydraulic or electric actuators with solenoids, positioners and limit switches can be specified for automated operation.

ISO mount on 2"-36". Double D shaft on 2"-8". Keyed shaft on 10"-36".

PERFORMANCE PARAMETERS

Temperature limitations are dependent on seat and body materials and service conditions. For throttling service, line velocity should not exceed 20 ft/sec (6m/sec) for liquid and 15,000 ft/min (4,500 m/min) for gases. Corrosive media applications depend on trim materials selected.

TESTING

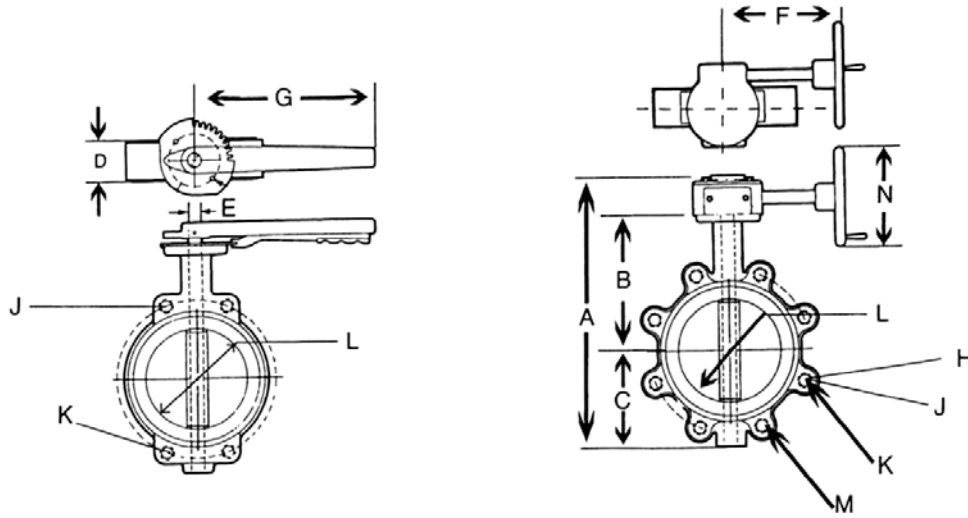
Individually Hydrostatically Tested

STANDARD MATERIALS

Body: Cast Iron, Ductile Iron
 Stem: 416 SS
 Seat: EPDM, Buna-N, NBR
 Disc: Aluminum Bronze, Ductile Iron, Stainless Steel

Mueller Steam Specialty

Dimensions and Weights - 2" - 30"



Model 65M

Model 66M 2"- 30"

size	in mm	2"	2-1/2"	3"	4"	5"	6"	8"	10"	12"	14"	16"	18"	20"	24"	28"	30"
		50	65	80	100	125	150	200	250	300	350	400	450	500	600	700	750
A	in	10 13/16	11 5/8	11 5/8	13 5/8	14 5/8	15 5/8	19 7/8	22 7/16	25 13/16	28	32 11/16	35 13/16	41 1/8	45	49	53 3/4
	mm	275	295	295	346	371	397	505	570	655	710	830	910	1045	1143	1216	1365
B	in	6 3/8	6 7/8	7 1/8	7 7/8	8 3/8	8 7/8	10 1/4	11 1/2	13 1/4	14 1/2	15 7/8	16 7/8	18 7/8	22 1/4	24 1/2	25 13/16
	mm	162	175	181	200	213	225	260	292	332	368	400	422	479	562	624	655
C	in	3 1/8	3 3/8	3 3/8	4 1/2	5	5 1/2	6 7/8	8	9 1/2	10 5/8	12 5/8	13	14 1/2	16 1/4	20 1/2	20 7/8
	mm	80	85	85	114	127	140	175	203	241	270	320	328	368	410	520	530
D	in	1 11/16	1 3/4	1 3/4	2	2 3/16	2 3/16	2 3/8	2 9/16	3	3	4	4 1/2	5	6	6 7/16	6 1/2
	mm	43	45	45	52	55	56	60	65	76	76	103	114	128	152	163	166
E	in	1/2	1/2	1/2	5/8	3/4	3/4	7/8	1 1/8	1 1/4	1 1/4	1 5/8	1 3/4	1 5/8	2	2 1/4	2 7/16
	mm	13	13	13	16	19	19	22	29	32	32	33	34	41.15	51	55	62
F	in	-	-	-	-	-	7	10	10	10	10	10	10	10	14 1/4	14 1/4	13
	mm	-	-	-	-	-	178	254	254	254	254	254	254	254	360	360	330
G	in	11	11	11	11	11	11	-	-	-	-	-	-	-	-	-	-
	mm	279	279	279	279	279	279	-	-	-	-	-	-	-	-	-	-
H(65M)	#holes	4	4	4	4	4	4	4	4	4	4	4	4	4	4	4	4
H(66M)	#holes	4	4	4	8	8	8	8	12	12	12	16	16	20	20	28	28
J	in	11/16	11/16	11/16	11/16	13/16	13/16	13/16	15/16	15/16	15/16	15/16	15/16	15/16	15/16	15/16	15/16
	mm	17	17	17	17	21	21	21	24	24	24	24	24	24	30	30	34
K	in	4 3/4	5 1/2	6	7 1/2	8 1/2	9 1/2	11 3/4	14 1/4	17	18 3/4	22 1/4	22 3/4	25	29 1/2	34	36
	mm	121	140	152	191	216	241	298	362	432	476	539	578	635	749	863	914
L	in	2	2 1/2	3	4	5	6	8	10	12	13 13/16	15 3/4	17 3/4	19 3/4	23 11/16	27 9/16	29 5/8
	mm	51	64	76	102	127	152	203	254	305	351	400	450	501	601	700	752
M	in	5/8 11	5/8 11	5/8 11	5/8 11	3/4 10	3/4 10	3/4 10	7/8 9	7/8 9	1 8	1 8	1-1/8 7	1-1/8 7	1-1/4 7	1-1/4 7	1-1/4 7
	mm	16	16	16	16	19	19	19	22	22	25	25	29	29	32	32	32
N	in	-	-	-	-	-	6	10	10	10	10	10	10	10	18	22	28
	mm	-	-	-	-	-	152	254	254	254	254	254	254	254	455	560	711
O	in	-	-	-	-	-	-	-	-	-	-	-	-	-	-	-	-
	mm	-	-	-	-	-	-	-	-	-	-	-	-	-	-	-	-
P	in	-	-	-	-	-	-	-	-	-	-	-	-	-	-	-	-
	mm	-	-	-	-	-	-	-	-	-	-	-	-	-	-	-	-
WEIGHTS																	
65M	lb	5	7	8	11	15	19	34	59	94	105	143	174	200	209	330	525
	kg	2.2	3.1	3.6	4.9	6.8	8.6	15.3	26.7	42.6	48	65	79	91	95	150	236
66M	lb	7	8	9	17	21	25	42	73	112	121	157	183	207	242	407	580
	kg	3.1	3.6	4	7.7	9.5	11.33	19	33.1	50.7	55	71	83	94	110	185	264

Approximate Dimensions and Weights. Apply For Certified Drawings.



Mueller Steam Specialty

1491 N.C. Hwy 20 West, St. Pauls, NC 28384