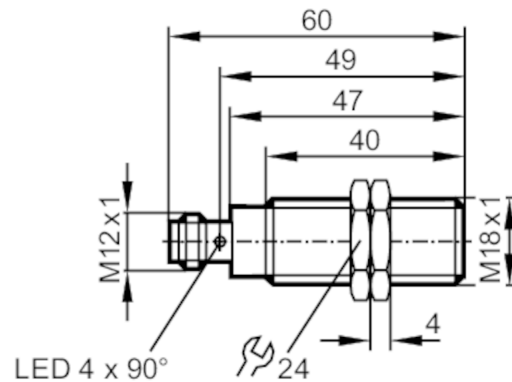


# OGP200



## Retro-reflective sensor

OGP-DPKG/US100



### Product characteristics

Type of light	red light
Housing	Threaded type
Dimensions [mm]	M18 x 1 / L = 60

### Application

System	polarization filter
Function principle	Retro-reflective sensor

### Electrical data

Operating voltage [V]	10...36 DC
Current consumption [mA]	15
Protection class	II
Reverse polarity protection	yes
Type of light	red light
Wave length [nm]	624

### Outputs

Electrical design	PNP
Output function	dark-on mode
Max. voltage drop switching output DC [V]	2.5
Permanent current rating of switching output DC [mA]	200
Switching frequency DC [Hz]	1000
Short-circuit protection	yes
Type of short-circuit protection	yes (non-latching)
Overload protection	yes

# OGP200



## Retro-reflective sensor

OGP-DPKG/US100

Monitoring range	
Range referred to prismatic reflector [m]	0.03...4; (Prismatic reflector Ø 80 E20005)
Range adjustable	no
Max. light spot diameter [mm]	160
Light spot dimensions refer to	at maximum range
Polarization filter available	yes

Operating conditions	
Ambient temperature [°C]	-25...60
Protection	IP 67

Tests / approvals	
EMC	EN 60947-5-2
MTTF [years]	509

Mechanical data	
Weight [g]	50
Housing	Threaded type
Dimensions [mm]	M18 x 1 / L = 60
Thread designation	M18 x 1
Material	housing: stainless steel (1.4404 / 316L)
Lens material	PMMA

Displays / operating elements		
Display	Switching status	1 x LED, yellow

Accessories	
Items supplied	lock nuts: 2 x

Remarks	
Remarks	cULus - Class 2 source required
Pack quantity	1 pcs.

### Electrical connection

Connector: 1 x M12



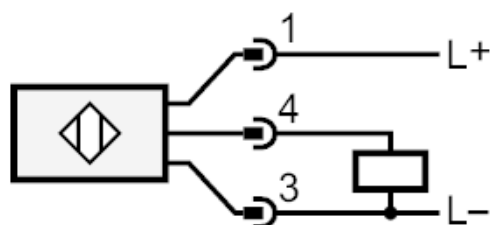
# OGP200



## Retro-reflective sensor

OGP-DPKG/US100

### Connection



### Diagrams and graphs

excess gain graph

