

EXCELON® QUIKCLAMP SYSTEM

Manifold regulator

R72M, R74M - G1/4, G3/8, G1/2, G3/4

R74M



R72M



Excelon® design allows in-line or modular installation

Manifold typically up to six regulators without booster signal

TECHNICAL DATA

Fluid:

Compressed air

R72M

Maximum Inlet pressure:

20 bar

Operating temperature*:

-34°C ... 65°C (-30°F ... 150°F)

*Consult our Technical Service for use below +2°C

Ports:

Inlet ports (2):

1/4" or 3/8" PTF or ISO G

Outlet port (1):

1/4" PTF with PTF inlet ports, or

1/4" ISO Rc with ISO G inlet ports

Gauge port (1):

1/8" PTF with PTF inlet ports

1/8" ISO Rc with ISO G inlet ports

MATERIALS

Body: Zinc
Bonnet: Acetal
(Zinc on (17 bar) T-handle version)
Valve: Brass
Elastomers: Nitrile
Bottom plug: Acetal

R74M

Maximum Inlet pressure:

20 bar

Operating temperature*:

R74M: -34°C ... 80°C

*Consult our Technical Service for use below +2°C

Ports:

Inlet ports (2):

1/2" or 3/4" PTF or ISO G

Outlet port (1):

1/2" PTF with PTF inlet ports, or

1/2" ISO Rc with ISO G inlet ports

Gauge port (1):

1/8" PTF with PTF inlet ports

1/8" ISO Rc with ISO G inlet ports

MATERIALS

Body: Aluminum
Bonnet: Aluminum
Elastomers: Nitrile
Bottom plug: Acetal

Inlet port (2)	Outlet port (1)	Flow† dm³/s	kg	MODELS	SERVICE KIT	
	G1/4	G1/4	39	0,36		
	G3/8	G1/4	39	0,36		
	G1/2	G1/2	105	0,80		
	G3/4	G1/2	105	0,78		

† Typical flow with 10 bar (150 psig) inlet pressure, 6,3 bar (90 psig) set pressure and a 1 bar (15 psig) droop from set

OPTIONS SELECTOR

R7★M-★-★-★-★-★

Series	Substitute	Gauge	Substitute
72	2	With	G
74	4	Without	N
Inlet Port Size	Substitute	Outlet Pressure Adjustment Range*	Substitute
1/4"	2	0,3 ... 2 bar (R72M)	C
3/8"	3	0,3 ... 4 bar	F
1/2"	4	0,3 ... 10 bar	M
3/4"	6	0,7 ... 17 bar**	S
Threads	Substitute	Diaphragm	Substitute
PTF	A	Relieving	R
ISO Rc taper	B	Non relieving	N
ISO G parallel	G	Adjustment	Substitute
		Knob	K
		T-bar	T

* Outlet pressure can be adjusted to pressures in excess of, and less than, those specified. Do not use these units to control pressures outside of the specified ranges.

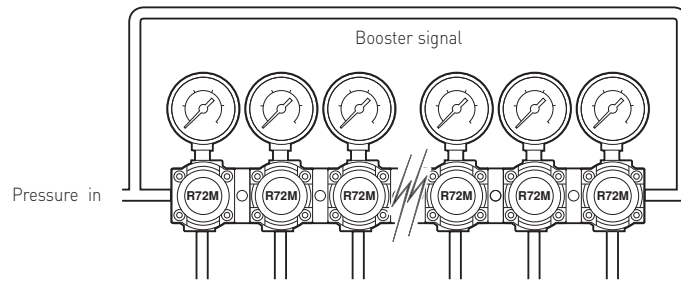
** Units with 250 psig (17 bar) outlet pressure range are available only with the T-bar adjustment. Substitute "T" in the 7th position and "S" in the 9th position.

For further information



www.norgren.com/info/en6-042

Typical manifold regulator application (R72M shown)

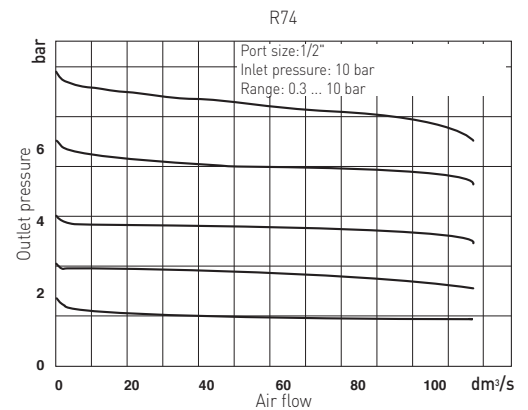
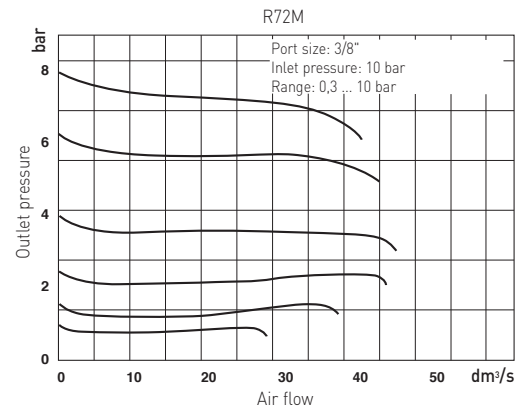


ACCESSORIES

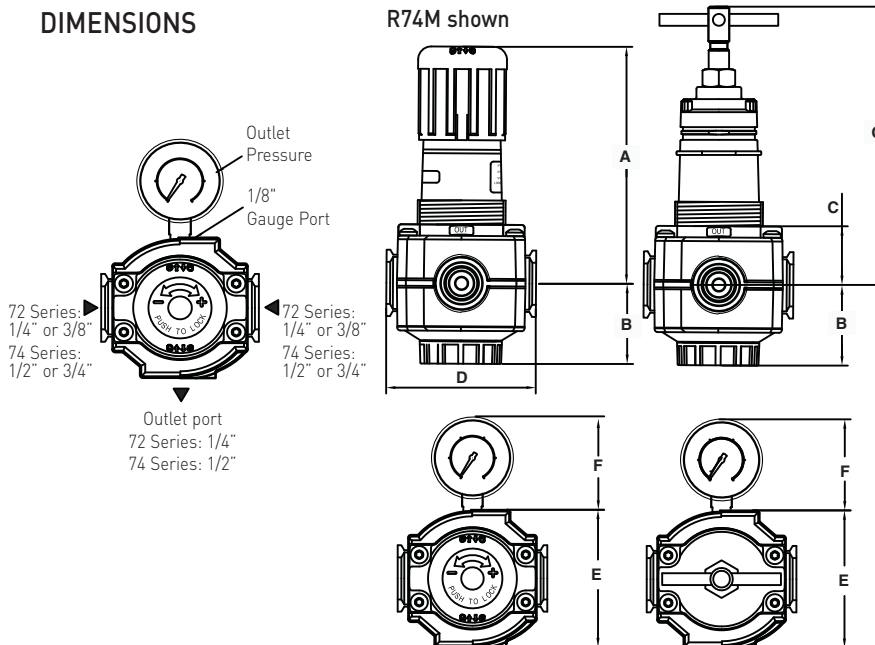
	Port size	Quickclamp	Quickclamp and quickclamp wall bracket	Gauge 0...10 bar
R72M	61/4...63/8	4214-51	4214-52	18-013-027
R74M	63/8...63/4	4314-51	4314-52	18-013-209

*Threaded exhaust port

FLOW CHARACTERISTICS

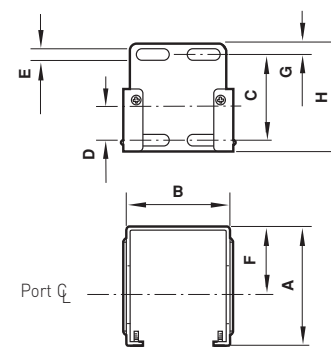


DIMENSIONS



Series	A	B	C	D	E	F	G	Panel Ø	Panel depth
72	73	33	26	50	48	48	102/108	39	0 ... 4
74	127	43	31	80	74	69	149	52	1,8 ... 6

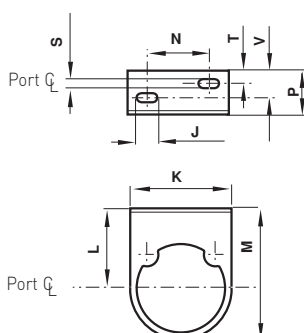
Mounting bracket



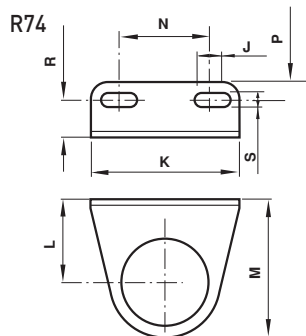
Series	A	B	C	D	E	F	G	H
72	60	42	39	19	4	38	6	51
74	79	69	50	20	5	51	6	61

Neck mounting brackets

R72



R74



Series	J	K	L	M	N	P	R	S	T	V
72	8	49	38	64	30	24	-	4	8	15
74	24	89	52	86	56	35	23	7	-	-

MINIATURE MANIFOLD PLASTIC PRESSURE REGULATOR

For water and compressed air use

R30M - Ø 8, 10 mm

R30M



Push-in fittings in ports. No need for threaded connectors and fittings

Push to lock adjusting knob with tamper resistant accessory

Integral base mounting

Water or compressed air only

TECHNICAL DATA

Fluid:

Compressed air or water

Maximum inlet pressure:

10 bar (150 psig)

Operating temperature*:

-5°C ... +40°C

* Air supply must be dry enough to avoid ice formation at temperatures below 2°C

Approximate flow at 10 bar inlet pressure, 6,3 bar set pressure and a droop of 1 bar from set:

8 dm³/s

Gauge port:

(can be used as additional outlet port)
10 mm o/d tube with 10 mm o/d tube main ports

8 mm o/d tube with 8 mm o/d tube main ports

Two inlet ports:

10 mm o/d tube or 8 mm o/d tube

One outlet port:

10 mm o/d tube with 10 mm o/d tube inlet

8 mm o/d tube with 8 mm o/d tube inlet

MATERIALS

Body: Acetal

Bonnet: Acetal

Valve: Brass/nitrile

Elastomers: Nitrile

Valve seat: Acetal

This product is soon to be replaced, and is only available whilst stock lasts, contact Norgren Technical Service for advice
Alternative product for air applications see page 6-042

Port Size	Flow* (dm ³ /s)	Range (bar)	kg	MODELS	SERVICE KIT
	8 mm Ø	8	0 ... 4,8	0,10	
	8 mm Ø	8	0,3 ... 7	0,10	
	10 mm Ø	8	0 ... 4,8	0,10	
	10 mm Ø	8	0,3 ... 7	0,10	
				R30M-8DK-RGN**	3407-02
				R30M-8DK-RKN**	3407-02
				R30M-ADK-RGN**	3407-02
				R30M-ADK-RKN**	3407-02

* Typical flow with 10 bar inlet pressure, 6,3 bar set pressure and a 1 bar droop from set.

** Non-relieving models also available for water (relieving models listed)

OPTIONS SELECTOR

R30M-★DK-★★★

Port size 8 mm 10 mm	Substitute 8 A	Gauge With Without	Substitute G N
Push-In Form Metric	Substitute D	Outlet Pressure Adjustment Ranges* 0 ... 4,8 bar 0,3 ... 7 bar	Substitute G K
Adjustment Knob	Substitute K	Type Relieving Non relieving	Substitute R N

* Outlet pressure can be adjusted to pressures in excess of, and less than, those specified. Do not use these units to control pressures outside of the specified ranges.

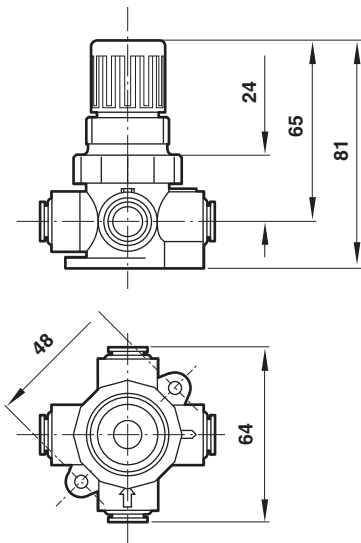
For further information



www.norgren.com/info/en6-114

DIMENSIONS

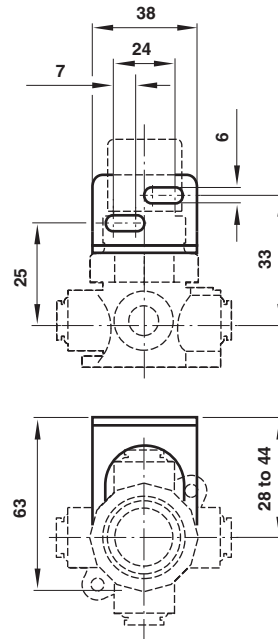
Panel mounting hole diameter: 30 mm
 Panel thickness: 0 ... 6 mm



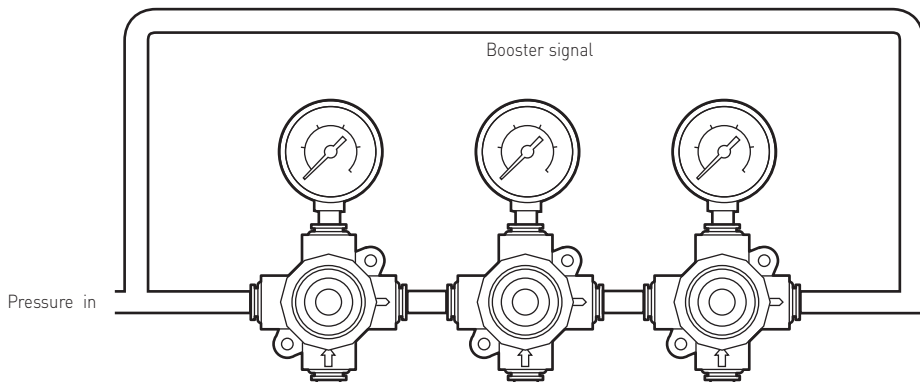
Bracket mounting

Wall Bracket (18-025-003)

Use 3 mm screws to mount bracket to wall



TYPICAL MANIFOLD REGULATOR APPLICATION



FLOW CHARACTERISTICS

Flow characteristics (air)

